

# Camaster HRC Fuse Holders

# CM\_CFB

30, 60, and 100 Amps; 600V A.C.



CATALOG SYMBOL: CM\_CFB  
 CAMASTER HRC FUSE HOLDERS  
 30, 60, AND 100 AMPERES

AGENCY APPROVALS: CSA C22.2 NO. 39  
 IEC 269 AND BS88

- Range: 30 (miniature), 30, 60, and 100 Amps at 600V a.c.
- A range of fully shrouded HRC Fuse Holders having an advanced design.
- They incorporate a high level of innovation, with enhanced performance characteristics and comply with the requirements of: CSA C22.2 No. 39 as well as IEC 269 and BS88 standards.
- **Unique Cam Action.**
- The Fuse Carriers are fitted with a cam for ease of removal from the Fuse Bases allowing significantly improved contact pressure between Fuse Carrier and Fuse Base contacts, with a corresponding enhanced electrical performance level.
- This design overcomes a major problem of all existing dead front style Fuse Holders manufactured worldwide, which have to compromise between difficulties of Fuse Carrier removal from Base and contact pressure achieved.
- **Lockable Safety Carriers**
- A range of Lockable Safety Carriers for the CAMASTER Fuse Holder (Cat ref: LSC), are available.
- This distinct feature ensures isolation can be achieved allowing maintenance to be carried out in safety.

### Mounting Torque and Cable Size

Ref	Fuse Mounting Tightening Torques	Max Cable Size
CM20CFB	1.5Nm 1.11 lb. - ft.	#2
CM30CFB	1.5Nm 1.11 lb. - ft.	#2
CM60CFB	2.0Nm 1.48 lb. - ft.	2/0
CM100CFB	2.0Nm 1.48 lb. - ft.	2/0

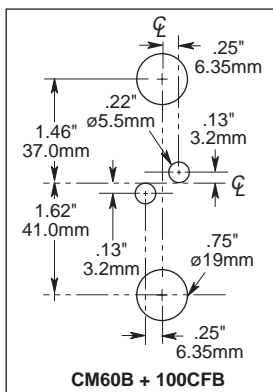
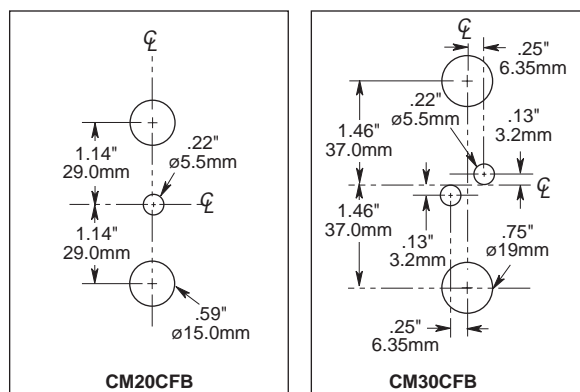
### CAMASTER Ratings

Rating	Details	Reference	Fuse Accommodated
30 Amp	For HRCI-CA Applications	CM20CFB	---C1F21B
30 Amp 60 Amp 100 Amp	For HRCII Applications	CM30CFB CM60CFB CM100CFB	---H07CB ---K07CB ---K07CRB

### Accessories for CAMASTER Units

Rating	Details	Reference	Fuse Accommodated
30 Amp		20BS	For CM20CFB
30 Amp	Back Stud	30BS	For CM30CFB
60/100 Amp		60/100BS	For CM60/100CFB
All	Ganging Link Kit	GLP	For 3 Pole
All	660V Neon Indicator	NI-660	-
All	600V Neon Indicator	NI-600	-
30 Amp	Security Carrier	20LSC	For CM20CFB
30 Amp	Carrier with Clip.	30LSC	For CM30CFB
60/100 Amp		60/100LSC	For CM60/100CFB
All	Clip Only	20CML	For all sizes

### Panel Drilling Plans, Viewed from Front of Panel



# Camaster HRC Fuse Holders

## 30, 60, and 100 Amps; 600V A.C.

CM\_CFB

- **Unique Conversion Capability.**
- Fuse Holders can be readily converted from Front Connection to Front/Back Stud and Double Back Stud Connection types at the point of use.
- This is achieved with a unique Back Stud Accessory and the use of a screwdriver.
- See conversion sequence in Fig. 1. Steps 1, 2 and 3 show removal of end ferrule and insertion of Back Stud Accessory to give the Front/Back Stud Connection type.
- This sequence repeated at the opposite end gives the Double Back Stud Connection type shown in Step 4.
- **Unique Cable Termination.**
- The fuse holder's unique cable terminations are designed for user convenience and to ensure long-term reliability.
- They incorporate Stainless Steel Saddles and Hardened Termination Screws, maintaining permanent cable clamping to profiled contact plates.
- The main electrical contact path between the cable and Fuse tag.
- This permits the use of high tightening torques without damage to cables or threads and provides resistance to high cable pull out forces. (See Fig. 2.)
- The Fuse Holders are supplied with the Hardened Termination Screws backed out ready for cable insertion, saving installation time.
- **Hinged Captive Screws.**
- The Fuse Mounting Screws to Fuse Carrier are held in captive hinges providing ease of mounting and preventing loss during installation. (See Fig. 3.)
- **Two/Three Pole Ganging.**
- The unique design of the Carriers allows ganging to be readily achieved by the use of standard accessories.
- This provides improved safety related to isolation and protection of 2 Pole and 3 Pole electrical circuits by ensuring that the correctly related poles are removed at the same time. (See Fig. 4.)
- **Dual Mounting Capability.**
- The design as standard provides both Bolted Panel and DIN Rail mounting features.
- The DIN Rail mounting facility for each of the various dimensioned ratings is so designed as to give equal height and depth above the DIN Rail.
- **Hinged Internal Shields.**
- Non-removable full shrouding of live parts within the Fuse Base is provided by the use of hinged shields.
- The positive captive nature of these ensures that they cannot be omitted during installation and are so designed that insertion of the Fuse Carrier can only be made with them correctly positioned.
- **Neon Indicator.**
- Neon Clip-in Indicator Accessories are available providing clear location and status of fuses which have operated due to fault conditions. (See Fig. 5.)

- **Circuit Identification.**
- The Fuse Carrier has a marking label for ease of circuit identification.
- **Strip Length Marking.**
- The length of cable insulation that should be stripped off is shown on the side of the Fuse Base.

### Dimensional Data

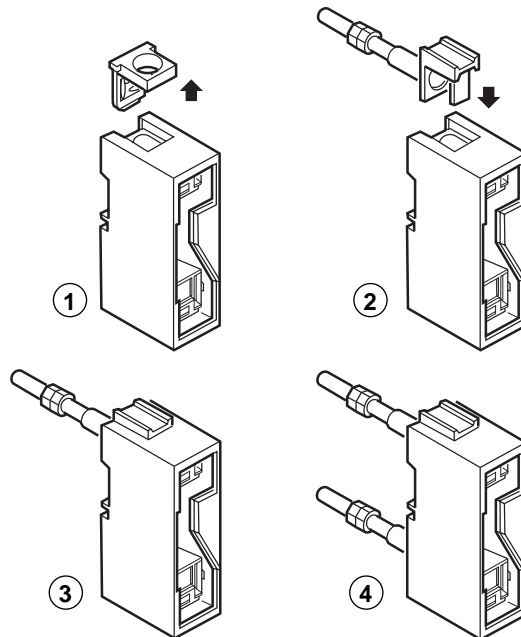


Figure 1. Unique Conversion Capability

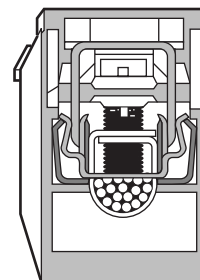


Figure 2. Unique Cable Termination

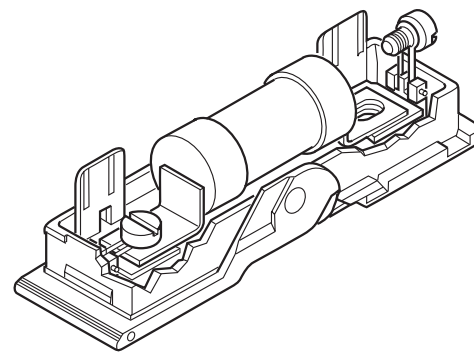


Figure 3. Hinged Captive Screws

# Camaster HRC Fuse Holders

CM\_CFB

30, 60, and 100 Amps; 600V A.C.

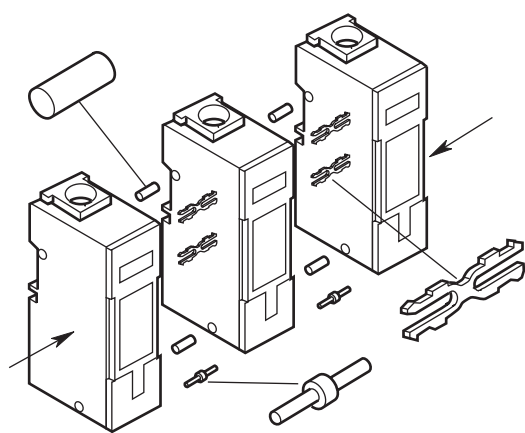


Figure 4. Two/Three Pole Ganging.

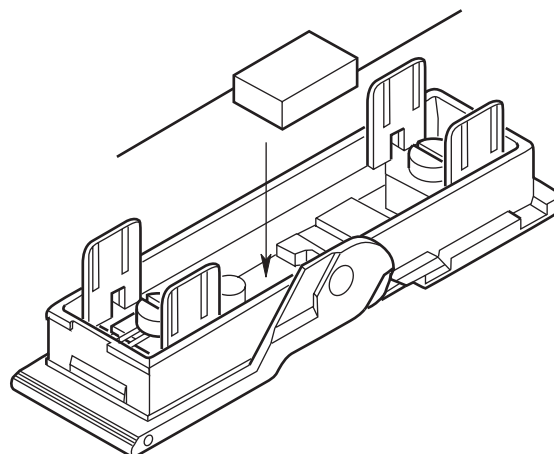
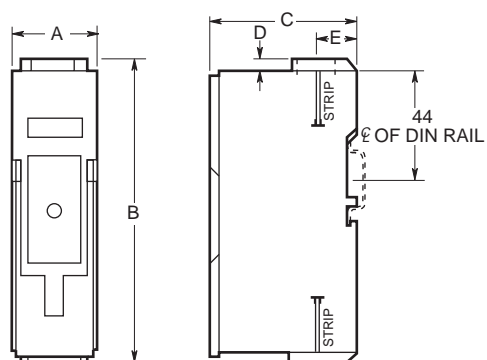
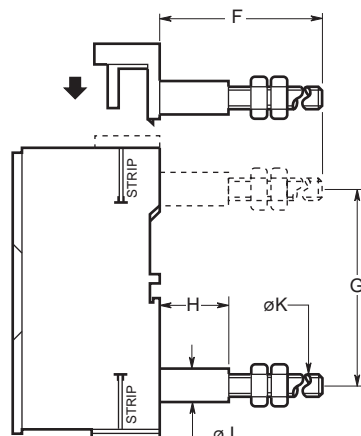


Figure 5. Neon Indicators.

### Standard Front Connected Unit



### Front/Back Stud and Double Back Stud Connected Units



Rating Amps	Catalog Number	Category	Dimensions in Inches and (mm)									
			A	B	C	D	E	F	G	H	J	K
30	CM20CFB	HRCI-CA	1.0 (25.4)	3.69 (93.7)	2.36 (60)	.13 (3.2)	.64 (17.5)	2.60 (66)	2.29 (58)	1.13 (28.6)	.47 (11.9)	M6
30	CM30CFB	HRCII-C	1.25 (31.8)	4.63 (117.5)	2.36 (60)	.13 (3.2)	.69 (17.5)	2.60 (66)	2.92 (74)	1.13 (28.6)	.47 (11.9)	M6
60	CM60CFB	HRCII-C	1.40 (35.6)	4.93 (125)	2.36 (60)	.19 (4.75)	.65 (16.4)	3.41 (86.5)	3.14 (79.8)	1.13 (28.6)	.47 (11.9)	M8
100	CM100CFB	HRCII-MISC	1.40 (35.6)	4.93 (125)	2.36 (60)	.19 (4.75)	.65 (16.4)	3.41 (86.5)	3.14 (79.8)	1.13 (28.6)	.47 (11.9)	M8

The only controlled copy of this BIF document is the electronic read-only version located on the Bussmann Network Drive. All other copies of this BIF document are by definition uncontrolled. This bulletin is intended to clearly present comprehensive product data and provide technical information that will help the end user with design applications. Bussmann reserves the right, without notice, to change design or construction of any products and to discontinue or limit distribution of any products. Bussmann also reserves the right to change or update, without notice, any technical information contained in this bulletin. Once a product has been selected, it should be tested by the user in all possible applications.

## X-ON Electronics

Largest Supplier of Electrical and Electronic Components

*Click to view similar products for [Fuse Holder](#) category:*

*Click to view products by [Eaton](#) manufacturer:*

Other Similar products are found below :

[570-290-741P40](#) [570-290-751P40](#) [0031.1351.01](#) [020417G](#) [020418E](#) [80910030](#) [8601.2020](#) [9-3557-GP REV A](#) [15600-08-10](#) [BK1-HTC-45M](#)  
[BK/FHN19G](#) [BK/HJM-HH](#) [BK/HKP-CCHH](#) [BK/HKP-E-CC](#) [BK/HKP-E-HH](#) [BK/HKP-EH-HH](#) [BK/HKP-U-HH](#) [BK/HTJ-LES-FUSE](#)  
[HMG-241](#) [2086-1](#) [2193](#) [RTMF-SC](#) [2602](#) [2650](#) [FHN31G1](#) [G4PB8](#) [2660](#) [2799](#) [CQ-209V](#) [345621A](#) [3794](#) [4202](#) [4408](#) [4413](#) [4423](#) [4482](#)  
[4532](#) [4537](#) [TSD1404-12](#) [BK/FHN31G1](#) [BK/HKP-H-CC](#) [BK/HKP-JQ-BB](#) [BK/HKP-JQW-BB](#) [BK/HKP-N-HH](#) [BK/HKP-S-CC](#) [BK/HKP-W-](#)  
[BBHH](#) [BP/HHS](#) [BPHHU](#) [55900008011](#) [C1933](#)