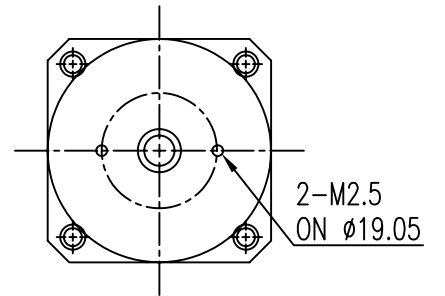
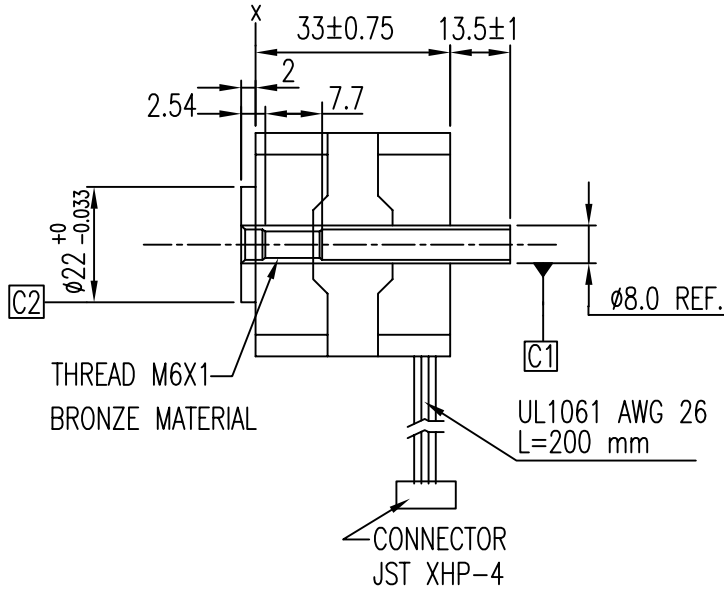
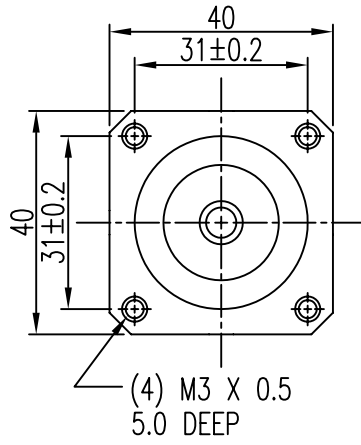


DIMENSION (UNIT : mm)



SPECIFICATION	
RATED VOLTAGE (VM)DC	3.5
AMPS/PHASE	1.2
RESISTANCE /PHASE Rm (Ohms)	2.9 ±10%
INDUCTANCE/PHASE.mH @1KHz	4.4 ±20%
STEP ANGLE (DEG)	1.8
STEP ACCURACY (NON-ACCUM)	±5%
HOLDING TORQUE (g-cm)	1500
ROTOR INERTIA (g-cm <sup>2</sup> )	19
WEIGHT (g)	200
INSULATION CLASS	B
TEMPERATURE RISE	MAX.80°C
INSULATION RESISTANCE	100M ohm at 500VDC
DIELECTRIC STRENGTH	500VAC FOR ONE MINUTE
AMBIENT TEMPERATURE	-10°C ~ +50°C

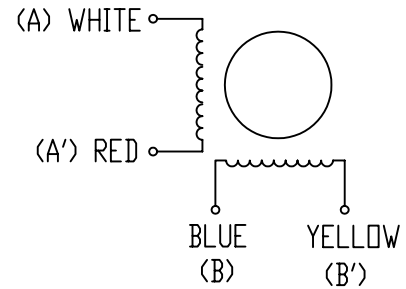
NOTES:

1. C1 DIAMETER RUNOUT TO BE 0.05 mm T.I.R. MAX.
2. C2 CONCENTRIC TO C1 0.075 mm TIR.
3. X SURFACE PERPENDICULAR TO C1 0.12 mm.
4. WAVE WASHER AT X-SIDE.
5. END CAPS TO BE BLACK PAINTED.

FULL STEP 2 PHASE-EX.,  
WHEN FACING MOUNTING END (X)

STEP	A	B	A'	B'	COM	CW
1	+	+	-	-	+DCV	↓
2	-	+	+	-		
3	-	-	+	+		
4	+	-	-	+		

WIRING DIAGRAM



PIN NO.	LEADERS
1	WHT
2	BLU
3	RED
4	YEL

REV	DESCRIPTION	DATE	APVD

NANOTEC:L4018S1204-M6

SCALE	FREE	APVD	CHKD	DRN	DATE
X	±0.5				24.10.04
1PL	±0.2				
2PL	±0.1				
ANGLE	±30'				
		SIGNATURE			

STEPPING MOTOR

DWG.NO  
L4018S1204-M6\_Z01

## **X-ON Electronics**

Largest Supplier of Electrical and Electronic Components

*Click to view similar products for [nanotec](#) manufacturer:*

Other Similar products are found below :

[LSNUT-T6X2-F](#) [STF2818X0504-A](#) [SP2575M0206-A](#) [DB59C024035-A](#) [SP1518M0204-A](#) [ST6018L3008-A](#) [ZKRS485-USB](#) [SP3575M0906-A](#) [C5-01](#) [ST2818S1006-B](#) [SMCI35](#) [ST4118L1804-A](#)