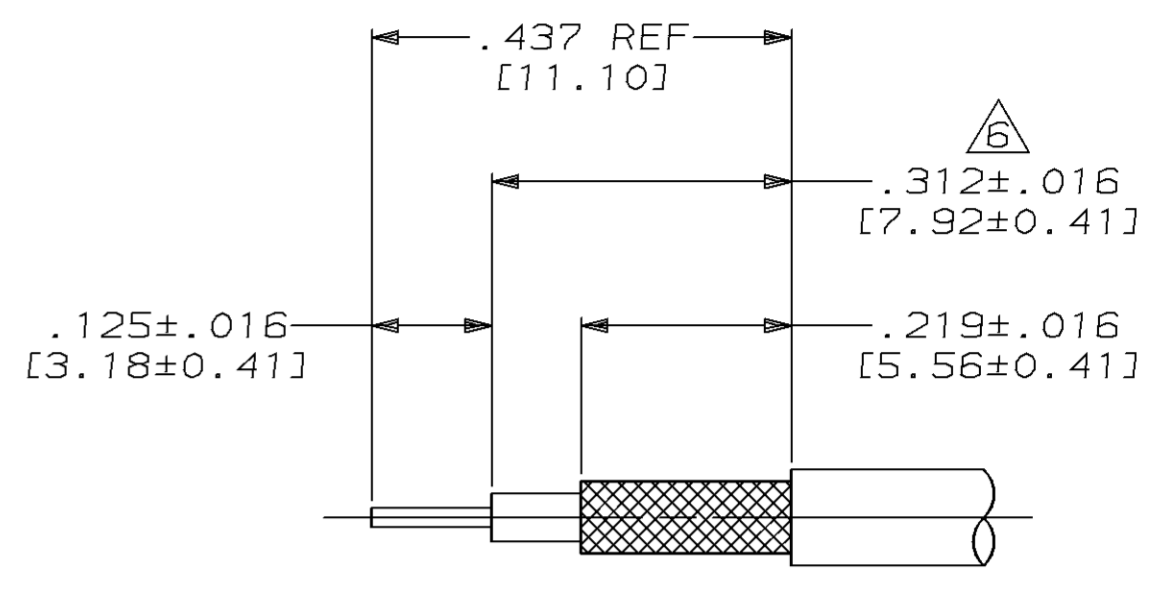
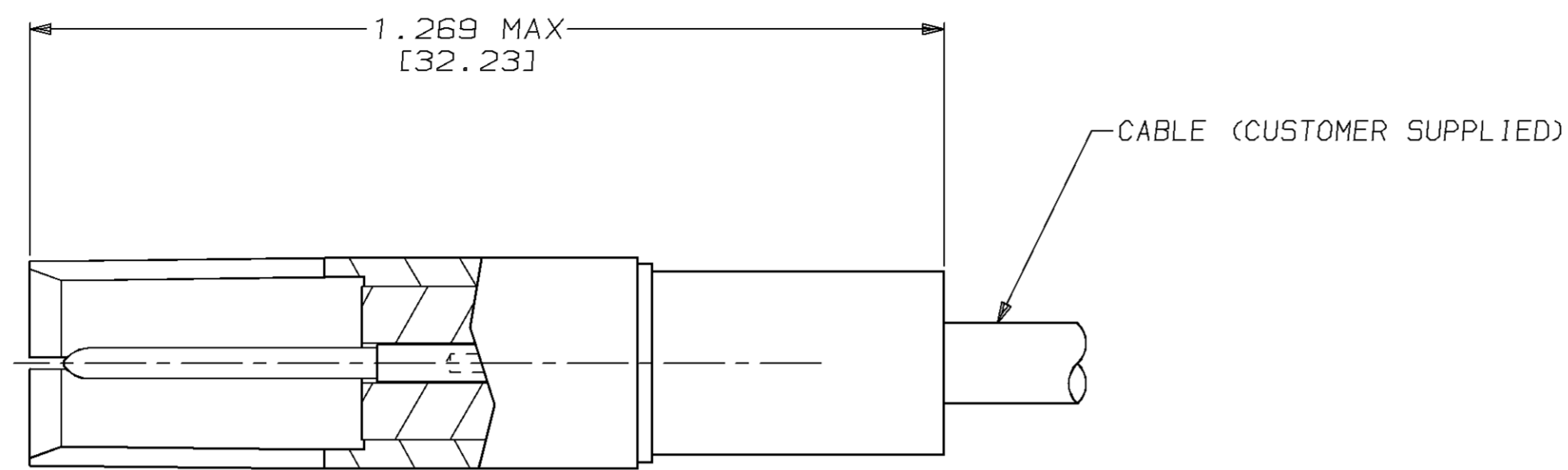
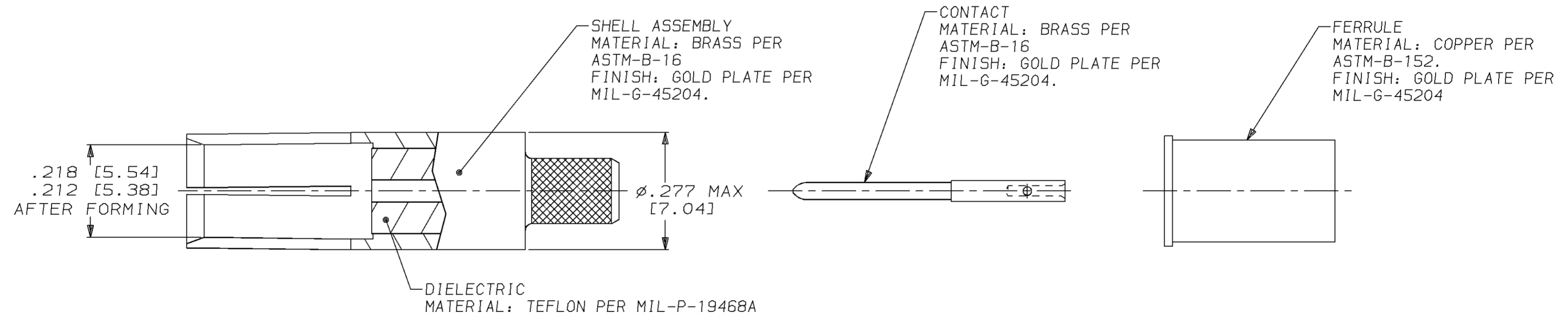


| PROD CODE | LOC | DIST | P | F | ZONE | LTR | DESCRIPTION                    | DATE | APPD |
|-----------|-----|------|---|---|------|-----|--------------------------------|------|------|
| 3321      | DF  | XO   |   |   |      | K   | REV & REDRAWN; 0600-1969-94 CT | 2-95 | JD   |

### ASSEMBLED VIEW



RECOMMENDED STRIP LENGTH  
SCALE: N.T.S.



- FOR USE WITH RG-58 C/U & 141 A/U COAX CABLE.
  - FERRULE CRIMPING TOOL: AMP TOOL #220066-1 OR 220066-2 CRIMP B.
  - CONTACT CRIMPING TOOL: M22520/2-01 OR AMP TOOL NUMBER 601966-1, SETTING NUMBER 5. DANIELS POSITIONER PART NO. K345 OR AMP TOOL NO. 1-601966-6.
  - SEE I.S.2348.
  - DANIELS MANUFACTURING CORP  
2266 FRANKLIN ROAD  
BLOOMFIELD HILLS, MI 48013
- △ OUTER JACKET OF CABLE MUST BE TRIMMED TO ALLOW PROPER INTER-PIN CONTACT LOCATION AFTER FERRULE CRIMP OPERATION.
- PARTS SHIPPED UNASSEMBLED AND CABLE IS SUPPLIED BY CUSTOMER.

THIS DRAWING IS A CONTROLLED DOCUMENT FOR AMP INCORPORATED. IT IS SUBJECT TO CHANGE AND THE CONTROLLING ENGINEERING ORGANIZATION SHOULD BE CONTACTED FOR THE LATEST REVISION.

|  |                           |   |  |  |
|--|---------------------------|---|--|--|
| DO NOT SCALE PRINT. UNLESS SPECIFIED DIMENSIONS IN INCHES [mm] TOLERANCES ON :<br>2 PLC DEC ± -<br>3 PLC DEC ± -<br>ANGLES ± - | DR 2-1-95<br>C.C.THOMAS   | AMP Incorporated<br>Harrisburg, PA 17105-3608                         |  |  |
|  | CHK 2-2-95<br>J.DUNBAR    |   |  |  |
| MATERIAL<br>SEE CALLOUTS   | APPD 2-2-95<br>J.DUNBAR   | NAME<br>CONNECTOR, COAXIAL, RF<br>SOCKET SIZE 5, ARINC<br>(HEX CRIMP) |  |  |
|  | APPD 2-2-95<br>C.C.THOMAS | SIZE<br>C 00779   |  |  |
| FINISH<br>SEE CALLOUTS   | PRODUCT SPEC<br>-         | DRAWING NO<br>G=225791-1  |  |  |
|  | APPLICATION SPEC<br>-     | SCALE 5:1   |  |  |
| WEIGHT -   |                           | SHEET 1 OF 1  |  |  |

225791-1  
PART NO.

## X-ON Electronics

Largest Supplier of Electrical and Electronic Components

*Click to view similar products for [Barrier Terminal Blocks](#) category:*

*Click to view products by [TE Connectivity](#) manufacturer:*

Other Similar products are found below :

[CTA-0103](#) [6PCR-02-008](#) [6PCR-05-008](#) [6PCR-08-008](#) [6PCR-21-006](#) [6PCV-06-008](#) [6PCV-10-009](#) [6PCV-15-008](#) [6STR-06-006](#) [6STR-08-006](#) [6STR-12-008](#) [6STR-14-008](#) [6STR-16-008](#) [6STR-17-008](#) [6STR-21-008](#) [6STR-25-008](#) [6STR-27-008](#) [6STV-03-006](#) [6STV-03-008](#) [6STV-04-006](#) [6STV-10-006](#) [6WWR-03](#) [6WWV-11-008](#) [6WWV-12-008](#) [6WWV-16-008](#) [7-1546701-0](#) [72212603](#) [72503-C](#) [73203](#) [76007](#) [7606-602LF](#) [77010-50](#) [796985-3](#) [796988-4](#) [7C1N08](#) [8-1437402-5](#) [8-1437402-7](#) [8-1546158-0](#) [870505](#) [870903](#) [8PCR-06-006](#) [8PCV-02-008](#) [8PCV-04-008](#) [8PCV-05-008](#) [8PCV-09-006](#) [8PCV-15-006](#) [8PCV-16-006](#) [8PCV-17-006](#) [8QCR-03-008](#) [8STV-04-006](#)