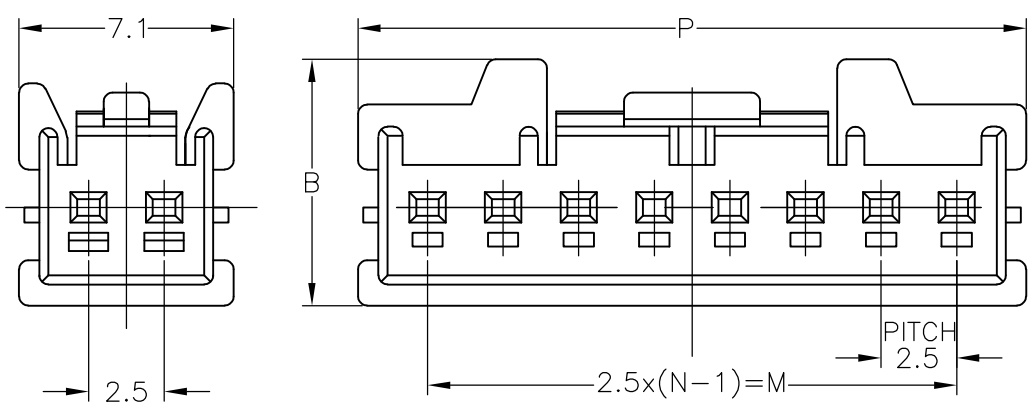
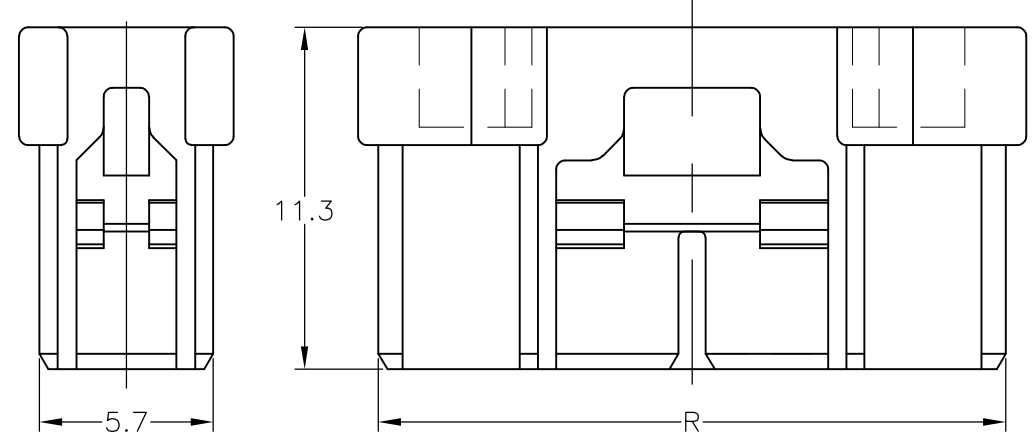
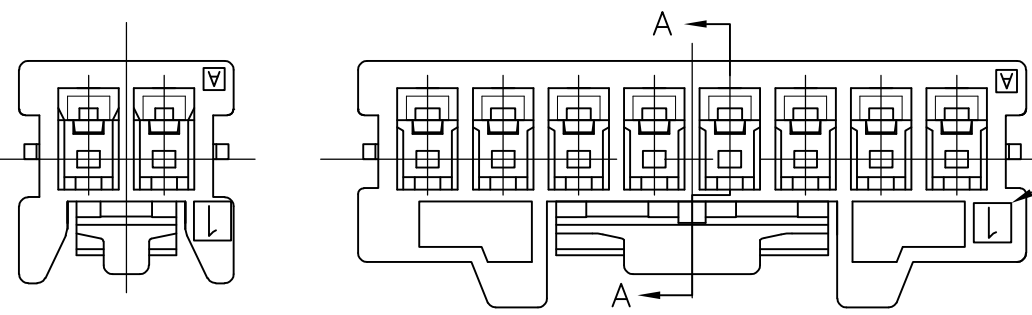
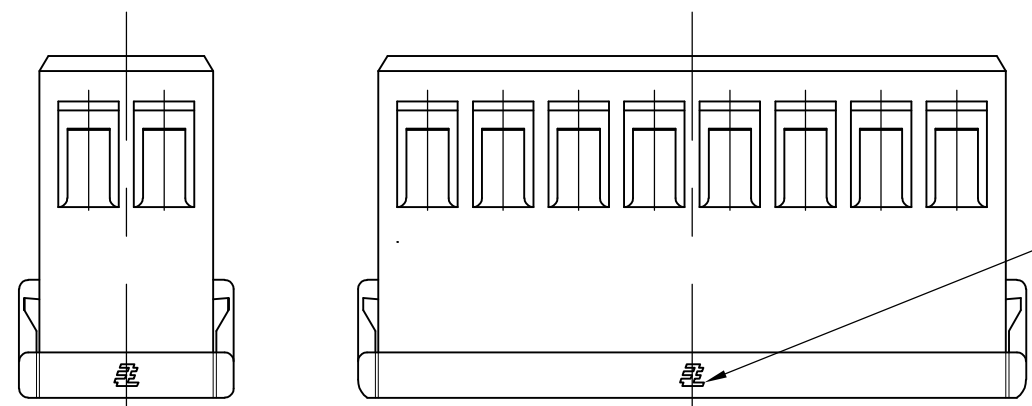


THIS DRAWING IS UNPUBLISHED. RELEASED FOR PUBLICATION  
 © COPYRIGHT 2004 By - ALL RIGHTS RESERVED.

LOC	DIST	REVISIONS					
J		P	LTR	DESCRIPTION	DATE	DWN	APVD
		E1		REVISED PER ECO-11-005030	11MAR11	RK	HMR

\*-1747066-\*; AS SHOWN

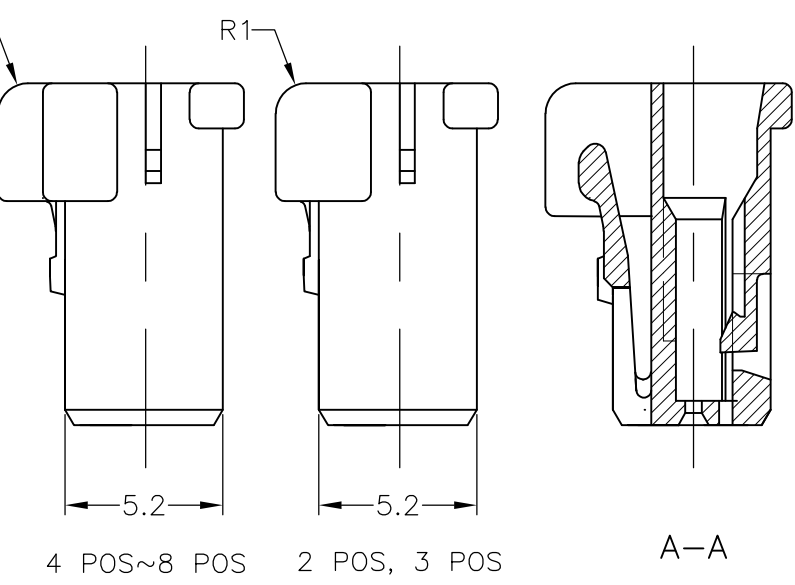
<2極>  
(2 POS)



- 1 一般公差: ±0.3, ±3°
- 2 材料: 66ナイロン ガラス強化 (UL94V-0)
- 3 かん合相手製品型番: 表参照のこと。
- 4 適用端子型番: 1747062-1  
1747063-1  
1747591-1  
1827290-1  
1871859-1

- 1 GENERAL TOLERANCE: ±0.3, ±3°
- 2 MATERIAL: 66NYLON GF (UL94V-0)
- 3 MATING CONN. P/N: SEE TABLE
- 4 APPLICABLE CONTACT P/N: 1747062-1  
1747063-1  
1747591-1  
1827290-1  
1871859-1

回路番号1  
CIRCUIT NO.1



Part No.	Width	Height	Pin Spacing	Pin Length	Pin Diameter	Pin Count	Color	Part No.
X-1871843-8	20.8	22.1	17.5	8.15	8	8	黄 (YELLOW)	3-1747066-8
X-1747067-8							青 (BLUE)	2-1747066-8
							赤 (RED)	1-1747066-8
							自然色 (NATURAL)	1747066-8
X-1747067-7	18.3	19.6	15	7.85	7	7	黄 (YELLOW)	3-1747066-7
							青 (BLUE)	2-1747066-7
							赤 (RED)	1-1747066-7
							自然色 (NATURAL)	1747066-7
X-1871843-6	15.8	17.1	12.5	7.7	6	6	黄 (YELLOW)	3-1747066-6
X-1747067-6							青 (BLUE)	2-1747066-6
							赤 (RED)	1-1747066-6
							自然色 (NATURAL)	1747066-6
X-1871843-5	13.3	14.6	10	7.65	5	5	黄 (YELLOW)	3-1747066-5
X-1747067-5							青 (BLUE)	2-1747066-5
							赤 (RED)	1-1747066-5
							自然色 (NATURAL)	1747066-5
X-1871843-4	10.8	12.1	7.5	7.45	4	4	黄 (YELLOW)	3-1747066-4
X-1747067-4							青 (BLUE)	2-1747066-4
							赤 (RED)	1-1747066-4
							自然色 (NATURAL)	1747066-4
X-1871843-3	8.3	9.6	5	7.35	3	3	黄 (YELLOW)	3-1747066-3
X-1747067-3							青 (BLUE)	2-1747066-3
							赤 (RED)	1-1747066-3
							自然色 (NATURAL)	1747066-3
X-1871843-2	5.9	7.1	2.5	7.35	2	2	黒 (BLACK)	4-1747066-2
X-1747067-2							黄 (YELLOW)	3-1747066-2
							青 (BLUE)	2-1747066-2
							赤 (RED)	1-1747066-2
							自然色 (NATURAL)	1747066-2
かん合相手側型番 (MATING CONN P/N)	R	P	M	B	N 極数 (Pos.)		色調 (COLOR)	型番 (P/N)

THIS DRAWING IS A CONTROLLED DOCUMENT.

DIMENSIONS: 単位: 概 mm

TOLERANCES UNLESS OTHERWISE SPECIFIED: 一般公差

0 PLC	±-
1 PLC	±-
2 PLC	±-
3 PLC	±-
4 PLC	±-
ANGLES	±-

MATERIAL 材料: SEE NOTE

FINISH 仕上

DWN T.HATANO 09JUN2004

CHK A.OISHI 09JUN2004

APVD N.YAMASAKI 09JUN2004

PRODUCT SPEC 108-5992  
製品規格 108-78307

APPLICATION SPEC 取付適用規格 114-5359

WEIGHT

CUSTOMER DRAWING

SCALE 尺度 4:1

SHEET 1 OF 1

REV E1

RESTRICTED TO

STE TE Connectivity

NAME 名称: GRACE INERTIA CONNECTOR 2.5 PLUG HSG

SIZE A3 CAGE CODE 00779 DRAWING NO 番号 C-1747066

## X-ON Electronics

Largest Supplier of Electrical and Electronic Components

*Click to view similar products for [Headers & Wire Housings](#) category:*

*Click to view products by [TE Connectivity](#) manufacturer:*

Other Similar products are found below :

[95000-104TRLF](#) [10135584-644402LF](#) [DF62W-EP2022PCA](#) [95000-106TRLF](#) [DF62W-2022SCA](#) [DF62W-EP2022PC](#) [2203348](#) [DF62W-2022SC](#) [1084018](#) [1029039](#) [1084017](#) [802-10-012-10-002000](#) [1112640](#) [1112639](#) [000-34000](#) [0009482033](#) [0009507031](#) [57102-S06-03LF](#) [57202-S52-04LF](#) [PCN6-15S-2.5E](#) [0039019024](#) [58102-G61-06LF](#) [582553-1](#) [0009485154](#) [0009508121](#) [0022285053](#) [0050291907](#) [018731A](#) [LY20-4P-DT1-P1E-BR](#) [02.125.8002.8](#) [60101931](#) [60598-1 \(Cut Strip\)](#) [M1625-3R/100](#) [61062-3](#) [61082-181009](#) [636-1427](#) [638009-1](#) [641938-9](#) [641991-4](#) [644168-1](#) [647662-1](#) [65039-019ELF](#) [65781-018](#) [65781-047](#) [65817-002LF](#) [65817-015LF](#) [65863-015LF](#) [66207-023LF](#) [67016-026LF](#) [67046-001LF](#)