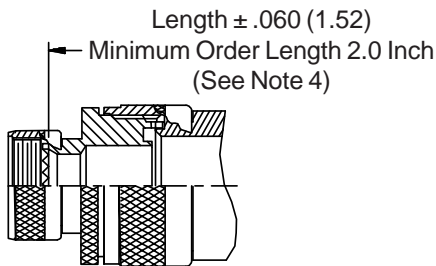
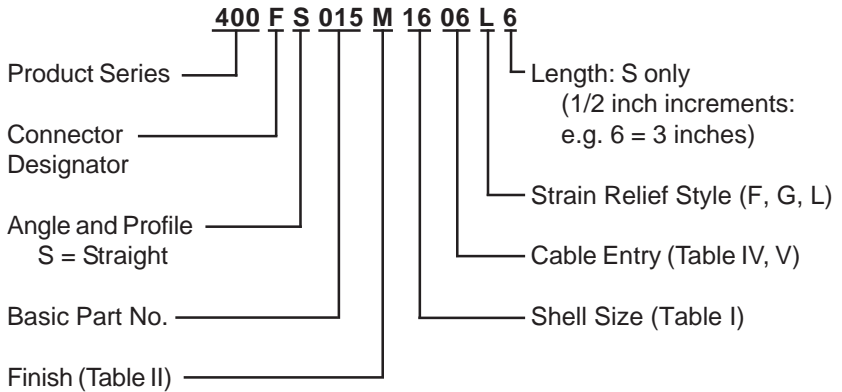
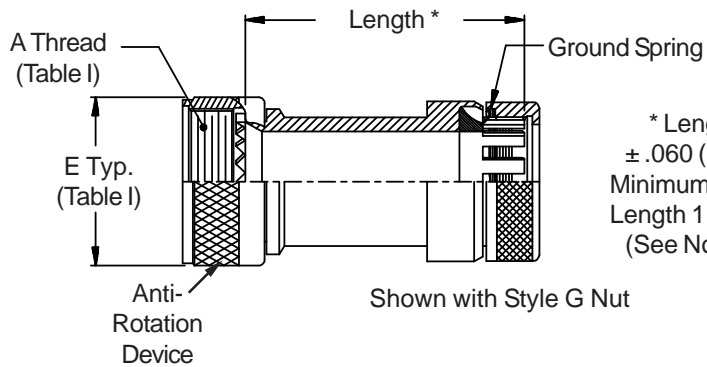


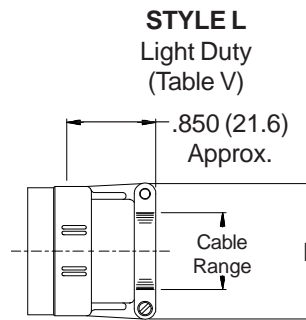
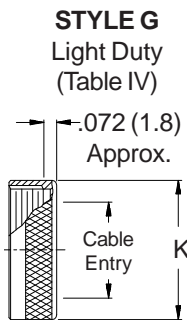
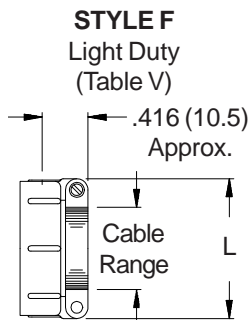
**CONNECTOR
 DESIGNATORS
 A-F-H-L-S
 SELF-LOCKING
 ROTATABLE
 COUPLING**



**STYLE 2
 (STRAIGHT
 See Note 1)**



* Length
 ± .060 (1.52)
 Minimum Order
 Length 1.5 Inch
 (See Note 4)



400-015
TAG® Ring Backshell
with Strain Relief
Self-Locking Rotatable Coupling - Straight Only



See inside back cover
fold-out or pages 13 and
14 for Tables I and II.

TABLE IV: CABLE ENTRY					
Dash No.	K		Cable Entry		
	Max		Max		
02	.545	(13.8)	.250	(6.4)	
03	.670	(17.0)	.375	(9.5)	
04	.795	(20.2)	.500	(12.7)	
05	.920	(23.4)	.625	(15.9)	
06	1.045	(26.5)	.750	(19.1)	
07	1.170	(29.7)	.875	(22.2)	
08	1.295	(32.9)	1.000	(25.4)	
09	1.420	(36.1)	1.125	(28.6)	
10	1.670	(42.4)	1.250	(31.8)	

TABLE V: CABLE ENTRY					
Dash No.	L Max	Cable Range			
		Min		Max	
02	.968 (24.6)	.125	(3.2)	.250	(6.4)
03	1.046 (26.6)	.250	(6.4)	.375	(9.5)
04	1.156 (29.4)	.250	(6.4)	.500	(12.7)
05	1.218 (30.9)	.375	(9.5)	.625	(15.9)
06	1.343 (34.1)	.500	(12.7)	.750	(19.1)
07	1.468 (37.3)	.625	(15.9)	.875	(22.2)
08	1.593 (40.5)	.625	(15.9)	1.000	(25.4)
09	1.718 (43.6)	.750	(19.1)	1.125	(28.6)
10	1.843 (46.8)	.875	(22.2)	1.250	(31.8)

1. When maximum cable entry (page 21) is exceeded, Style 2 will be supplied. Please consult factory.
2. Metric dimensions (mm) are indicated in parentheses.
3. Cable range is defined as the accommodations range for the wire bundle or cable. Dimensions shown are not intended for inspection criteria.
4. Consult factory for shorter lengths on straight backshells.

X-ON Electronics

Largest Supplier of Electrical and Electronic Components

Click to view similar products for [D-Sub Backshells](#) category:

Click to view products by [Glenair](#) manufacturer:

Other Similar products are found below :

[173114-0084](#) [173112-1658](#) [600X51137X](#) [600X54009X](#) [66241-12A](#) [M85049/48-1-2](#) [M85049/48-3-5F](#) [M85049/6-38N](#) [M85049/86-12N03](#)
[70.350.0636.4](#) [70.350.2435.1](#) [72.350.1035.2](#) [72.352.2435.1](#) [73.359.4035.3](#) [799-015TMH07M](#) [799-015TMH08N](#) [FKH1RE](#) [829472-1](#) [F-](#)
[PHG-1E](#) [F-PHG-3E](#) [F-PHG-4E](#) [F-PHR-4E](#) [PCS-E20W](#) [8655MHRA0901KLF](#) [8655MHRA2501KLF](#) [958-009-010R011](#) [970-015-040R011](#)
[970-025-030R121](#) [970-025-040R011](#) [971-009-030R121](#) [971-009-040R011](#) [971-015-040R011](#) [971-025-040R011](#) [GS85049/38-25M](#) [975T009-](#)
[020R121](#) [975T015-020R121](#) [1-21986-2](#) [1-21986-5](#) [DB-20962](#) [DE-C8-J9-F4-1R](#) [DE-C8-J9-F5-1R](#) [DPH-B-003](#) [1437013-9](#) [1484402-8](#)
[MS3057-10A](#) [156-3025-EX](#) [MS3417-16C](#) [16-500800](#) [165X02659X](#) [165X03329A](#)