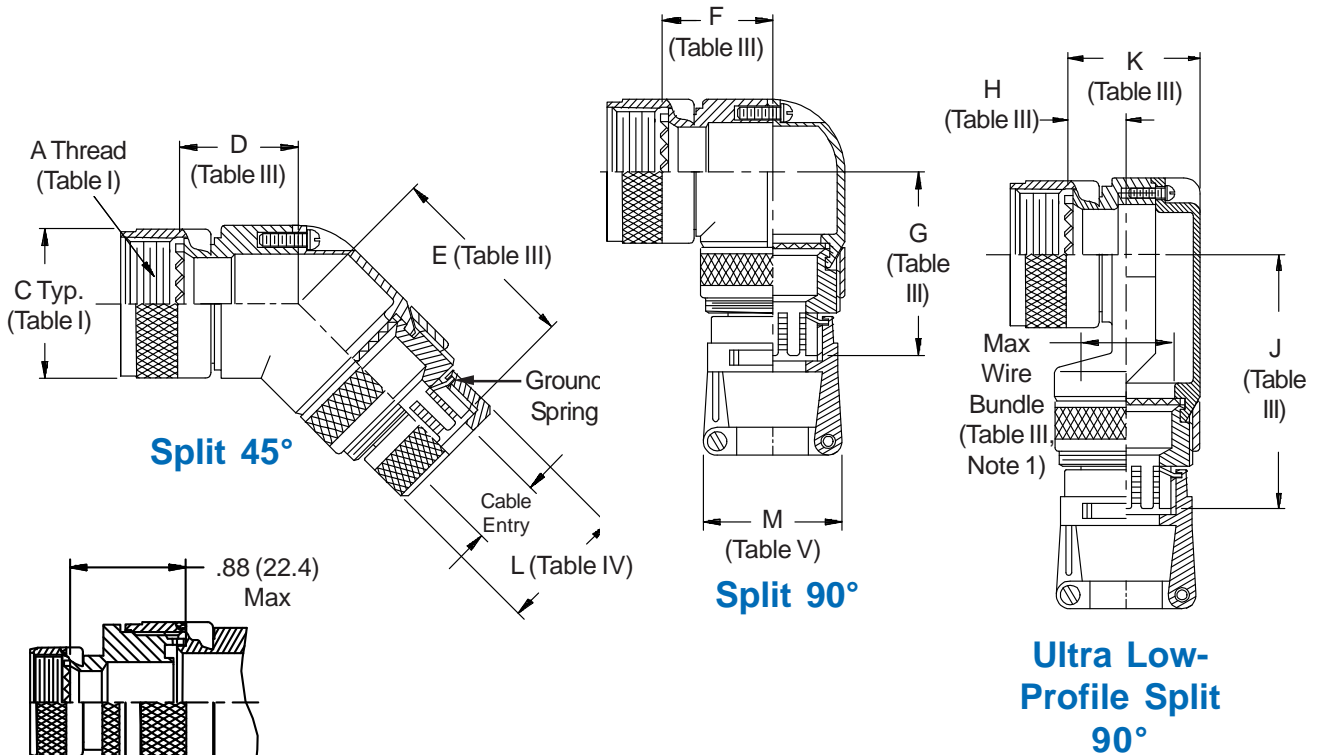
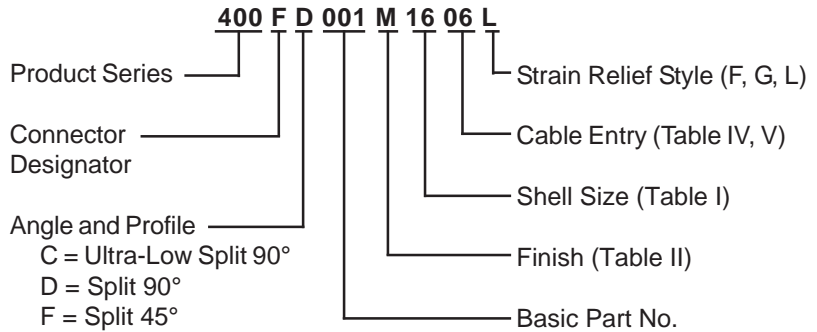


**CONNECTOR
 DESIGNATORS
 A-F-H-L-S
 ROTATABLE
 COUPLING**

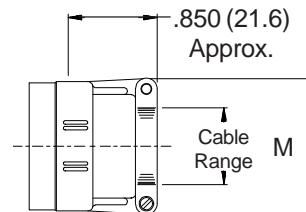
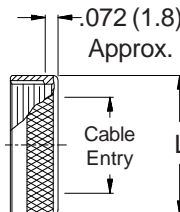
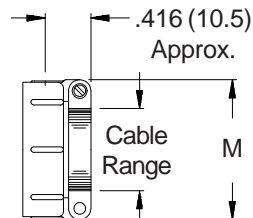


STYLE 2
 (See Note 1)

STYLE F
 Light Duty
 (Table V)

STYLE G
 Light Duty
 (Table IV)

STYLE L
 Light Duty
 (Table V)



400-001
TAG® Ring Backshell
with Strain Relief
Rotatable Coupling - Split Shell



See inside back cover fold-out or pages 13 and 14 for Tables I and II.

TABLE III: DIMENSIONS								
Shell Size	D Max	E Max	F Max	G Max	H Ref	J Max	K Max	Function C Max Wire Bundle
08/09	.440 (11.2)	1.500 (38.1)	.680 (17.3)	1.440 (36.6)	.340 (8.6)	2.060 (52.3)	.681 (17.3)	.250 (6.4)
10/11	.500 (12.7)	1.560 (39.6)	.750 (19.1)	1.500 (38.1)	.270 (6.9)	2.220 (56.4)	.731 (18.6)	.375 (9.5)
12/13	.560 (14.2)	1.630 (41.4)	.810 (20.6)	1.570 (39.9)	.270 (6.9)	2.220 (56.4)	.731 (18.6)	.375 (9.5)
14/15	.620 (15.7)	1.660 (42.2)	.870 (22.1)	1.600 (40.6)	.280 (7.1)	2.290 (58.2)	.831 (21.1)	.500 (12.7)
16/17	.680 (17.3)	1.760 (44.7)	.930 (23.6)	1.700 (43.2)	.420 (10.7)	2.340 (59.4)	.981 (24.9)	.625 (15.9)
18/19	.750 (19.1)	1.820 (46.2)	1.000 (25.4)	1.760 (44.7)	.640 (16.3)	2.370 (60.2)	1.181 (30.0)	.625 (15.9)
20/21	.820 (20.8)	1.880 (47.8)	1.060 (26.9)	1.820 (46.2)	.640 (16.3)	2.370 (60.2)	1.181 (30.0)	.625 (15.9)
22/23	.880 (22.4)	1.940 (49.3)	1.120 (28.4)	1.880 (47.8)	.540 (13.7)	2.520 (64.0)	1.181 (30.0)	.750 (19.1)
24/25	.940 (23.9)	2.000 (50.8)	1.180 (30.0)	1.940 (49.3)	.540 (13.7)	2.520 (64.0)	1.181 (30.0)	.750 (19.1)

TABLE IV: CABLE ENTRY		
Dash No.	L Max	Cable Entry Max
02	.545 (13.8)	.250 (6.4)
03	.670 (17.0)	.375 (9.5)
04	.795 (20.2)	.500 (12.7)
05	.920 (23.4)	.625 (15.9)
06	1.045 (26.5)	.750 (19.1)
07	1.170 (29.7)	.875 (22.2)
08	1.295 (32.9)	1.000 (25.4)
09	1.420 (36.1)	1.125 (28.6)
10	1.670 (42.4)	1.250 (31.8)

TABLE V: CABLE ENTRY				
Dash No.	M Max	Cable Range		
		Min	Max	
02	.968 (24.6)	.125 (3.2)	.250 (6.4)	.375 (9.5)
03	1.046 (26.6)	.250 (6.4)	.375 (9.5)	.500 (12.7)
04	1.156 (29.4)	.250 (6.4)	.500 (12.7)	.625 (15.9)
05	1.218 (30.9)	.375 (9.5)	.625 (15.9)	.750 (19.1)
06	1.343 (34.1)	.500 (12.7)	.750 (19.1)	.875 (22.2)
07	1.468 (37.3)	.625 (15.9)	.875 (22.2)	1.000 (25.4)
08	1.593 (40.5)	.625 (15.9)	1.000 (25.4)	1.125 (28.6)
09	1.718 (43.6)	.750 (19.1)	1.125 (28.6)	1.250 (31.8)
10	1.843 (46.8)	.875 (22.2)	1.250 (31.8)	

1. When maximum cable entry (page 21) is exceeded, Style 2 will be supplied (not available in Function C). Dimensions D, E, F and G will not apply. Please consult factory.
2. Metric dimensions (mm) are indicated in parentheses.
3. Cable range is defined as the accommodations range for the wire bundle or cable. Dimensions shown are not intended for inspection criteria.
4. Angular function "C", low-profile split elbow, not available with "S" connector designator.

X-ON Electronics

Largest Supplier of Electrical and Electronic Components

Click to view similar products for [D-Sub Backshells](#) category:

Click to view products by [Glenair](#) manufacturer:

Other Similar products are found below :

[173114-0084](#) [173112-1658](#) [600X51137X](#) [600X54009X](#) [66241-12A](#) [M85049/48-1-2](#) [M85049/48-3-5F](#) [M85049/6-38N](#) [M85049/86-12N03](#)
[70.350.0636.4](#) [70.350.2435.1](#) [72.350.1035.2](#) [72.352.2435.1](#) [73.359.4035.3](#) [799-015TMH07M](#) [799-015TMH08N](#) [FKH1RE](#) [829472-1](#) [F-](#)
[PHG-1E](#) [F-PHG-3E](#) [F-PHG-4E](#) [F-PHR-4E](#) [PCS-E20W](#) [8655MHRA0901KLF](#) [8655MHRA2501KLF](#) [958-009-010R011](#) [970-015-040R011](#)
[970-025-030R121](#) [970-025-040R011](#) [971-009-030R121](#) [971-009-040R011](#) [971-015-040R011](#) [971-025-040R011](#) [GS85049/38-25M](#) [975T009-](#)
[020R121](#) [975T015-020R121](#) [1-21986-2](#) [1-21986-5](#) [DB-20962](#) [DE-C8-J9-F4-1R](#) [DE-C8-J9-F5-1R](#) [DPH-B-003](#) [1437013-9](#) [1484402-8](#)
[MS3057-10A](#) [156-3025-EX](#) [MS3417-16C](#) [16-500800](#) [165X02659X](#) [165X03329A](#)