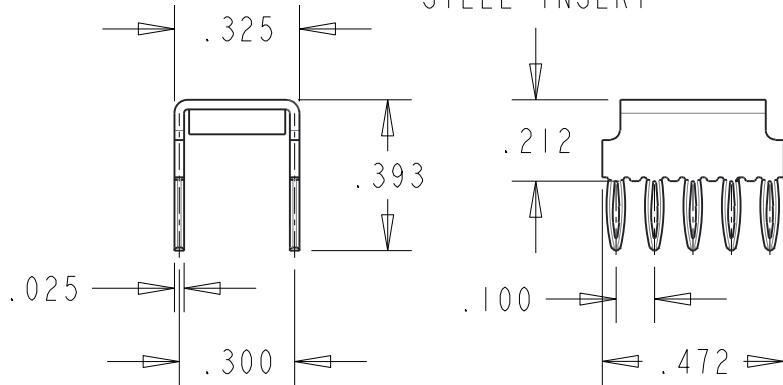
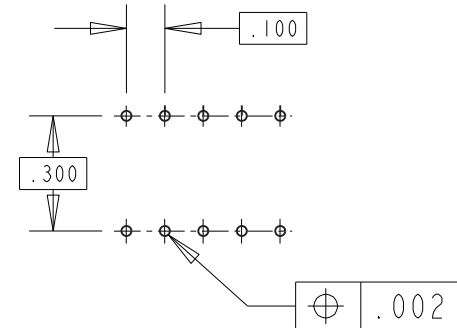


— THREADED STAINLESS  
STEEL INSERT



NOTES:

1. MATERIAL: PHOS. BRONZE, ALLOY 510
2. FINISH: SEE CHART
3. RECOMMENDED PC HOLE SIZE  $.040 \pm .003$
4. PART NUMBER: SEE CHART
5. THREADED INSERT PUSH OUT FORCE:  
30 Lbs. MIN.



RECOMMENDED PC HOLE PATTERN

PART NUMBER	PLATING	THREAD TYPE
PPT-M4	100/150 $\mu$ IN TIN OVER 50/80 $\mu$ IN NICKEL	M4 X 0.7
PPT-632	100/150 $\mu$ IN TIN OVER 50/80 $\mu$ IN NICKEL	#6-32 UNC



						 www.pancon.de / GERMANY www.panconconnectors.com / USA		E. TAUNTON, MA	
						POWER TAP CONNECTOR 10 PIN W/ THREADED INSERT			
						UNLESS OTHERWISE SPECIFIED DIMENSIONAL TOLERANCES ARE: (.X) $\pm$ (.XXX) $\pm$ (.XX) $\pm$ (ANGLES) $\pm$		UNLESS OTHERWISE SPECIFIED, ALL DIMENSIONS ARE GIVEN IN INCHES. THIRD ANGLE PROJECTION	
						DRAWN BY: DWS		SCALE: 2/1	
						DATE: 7/18/12		DRAWING NO. KA-10531	
						CHK'D		DWG. A SIZE	
S	7/18/12	DWS		REDRAWN & CHARTED	CN	-	R		
REV.	DATE	BY	CHK	DESCRIPTION	CN	-	R	CST	SUP

## X-ON Electronics

Largest Supplier of Electrical and Electronic Components

*Click to view similar products for [FFC & FPC Connectors](#) category:*

*Click to view products by [Pancon](#) manufacturer:*

Other Similar products are found below :

[HFW11R-1STE1H1LF](#) [FH29B-100S-0.2SHW\(99\)](#) [FA5S008HP1](#) [FH29B-120S-0.2SHW\(99\)](#) [FH29B-80S-0.2SHW\(99\)](#) [FHS-16](#) [FPH-2022G](#)  
[52610-1075](#) [52610-1275](#) [52610-1934](#) [XF3M\(1\)-1415-1B-R100](#) [501864-3091-TR225](#) [0525594033](#) [086210010340800](#) [086222026001800](#)  
[52271-2869-CUT-TAPE](#) [62674-201121DLF](#) [62684-36210E9ALF](#) [52610-1675](#) [52746-1671-TR250](#) [10051922-2810EHLF](#) [6-520415-9](#)  
[BD021-09A-A1-0350-0200-0550-LD](#) [SFV6R-1STE9HLF](#) [XF3M-2915-1B-R100](#) [1658549-1](#) [62674-221121ALF](#) [46214008010800](#)  
[046298003000883](#) [151660622](#) [842-816-2630-035](#) [AYF530665TA](#) [AYF351525](#) [046296011930846+](#) [AYF352325A](#) [046254020000800+](#)  
[FH19C-13S-0.5SH\(99\)](#) [FH39J-51S-0.3SHW\(99\)](#) [AYF355125A](#) [AYF530365TA](#) [FH29B-44S-0.2SHW\(99\)](#) [SFW5R-2STAE9LF](#) [AYF351125A](#)  
[AYF350725A](#) [62684-502100AHLF](#) [FH39-61S-0.3SHW\(99\)](#) [AYF414035A](#) [10064555-172520HLF](#) [AYF212335A](#) [504754-2500](#)