

Industrial Spec Grade Turnlok® Locking Devices

20 Amp NEMA L520

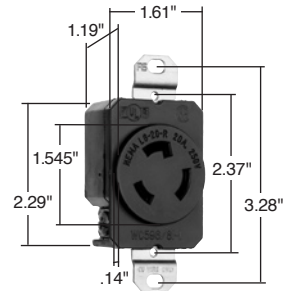
2 Pole, 3 Wire 20A, 125V

Pass & Seymour

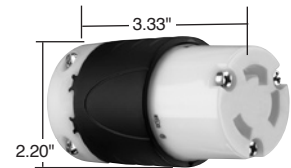


Turnlok® Locking Devices

Catalog Number	Rating A. V.	Description/Color	Cord Diameter	NEMA Config. No.	3rd Party Compliance		
					UL UL498	FSUL WC596	CSA
Receptacles							
L520R	20 125	Single Receptacle		L5-20R	•	•	•
IGL520R	20 125	Single Receptacle, Orange, Isolated Ground		L5-20R	•	•	•
CRL520R	20 125	Single Receptacle, Yellow, Corrosion-Resistant		L5-20R	•	•	•
Connectors IP20 Suitability							
L520C	20 125	Black Back, White Front Body	.385"-1.150"	L5-20R	•	•	•
L520CBK	20 125	Black Back, Black Front Body	.385"-1.150"	L5-20R	•	•	•
CRL520C	20 125	Yellow Back, White Front Body, Corrosion-Resistant	.385"-1.150"	L5-20R	•	•	•
Plugs IP20 Suitability							
L520P	20 125	Black Back, White Front Body	.385"-1.150"	L5-20P	•	•	•
L520PBK	20 125	Black Back, Black Front Body	.385"-1.150"	L5-20P	•	•	•
CRL520P	20 125	Yellow Back, White Front Body, Corrosion-Resistant	.385"-1.150"	L5-20P	•	•	•
Flanged Inlets & Outlets							
L520FI	20 125	Gray Inlet		L5-20P	•	•	•
L520FO	20 125	Gray Outlet		L5-20R	•	•	•

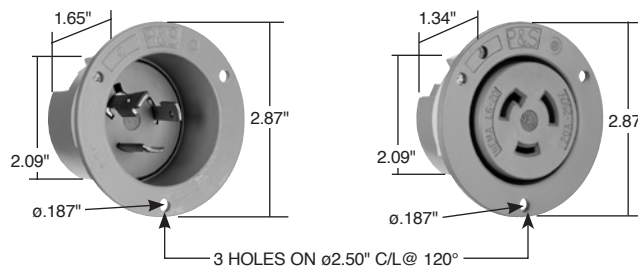
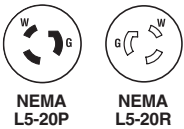


20A Receptacle

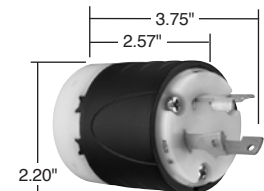


20A Connector

Reference Pages I-37 and I-38 for Accessories.

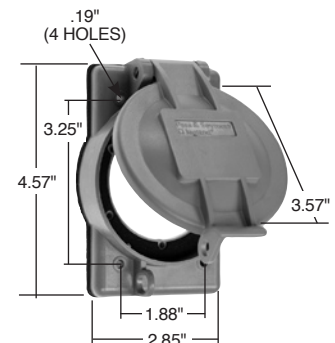


20A Flanged Inlet & Outlet



20A Plug

Catalog Number	Description	Color
Weatherproof Cover		
WPG2	Cover for 20 and 30A Turnlok Flanged Inlets and Outlets	Gray
Stainless Steel Wall Plate		
SS720	Wall Plate for Locking Receptacles	302 S/S



WPG2

All devices listed on this page conform to NEMA WD-1 and WD-6.

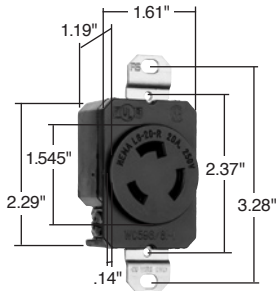
20 Amp NEMA L520



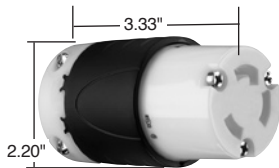
Industrial Spec Grade Turnlok® Locking Devices

20 Amp NEMA L620 & L720

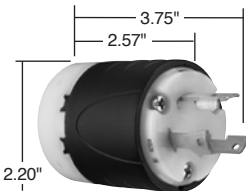
2 Pole, 3 Wire 20A, 250V & 277VAC



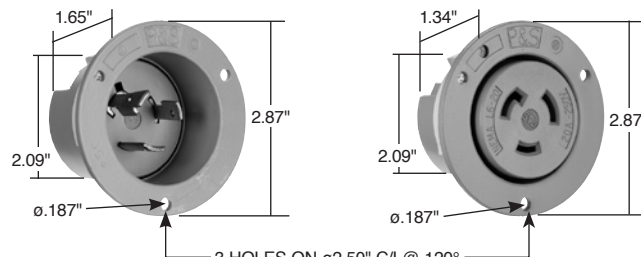
20A Receptacle



20A Connector



20A Plug



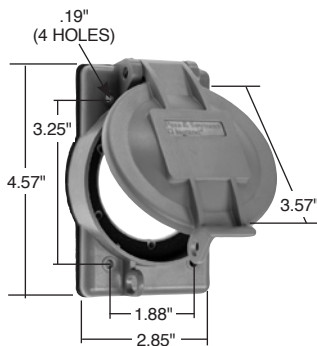
20A Flanged Inlet & Outlet



NEMA L6-20P NEMA L6-20R



NEMA L7-20P NEMA L7-20R



WPG2

Catalog Number	Rating A. V.	Description/Color	Cord Diameter	NEMA Config. No.	3rd Party Compliance		
					UL498	FSUL WC596	CSA
Receptacles							
L620R	20 250	Single Receptacle		L6-20R	•	•	•
IGL620R	20 250	Single Receptacle, Orange, Isolated Ground		L6-20R	•		•
L720R	20 277*	Single Receptacle		L7-20R	•	•	•
IGL720R	20 277*	Single Receptacle, Orange, Isolated Ground		L7-20R	•		•
Connectors IP20 Suitability							
L620C	20 250	Black Back, White Front Body	.385"-1.150"	L6-20R	•	•	•
CRL620C	20 250	Yellow Back, White Front Body, Corrosion-Resistant	.385"-1.150"	L6-20R	•	•	•
L720C	20 277*	Black Back, White Front Body	.385"-1.150"	L7-20R	•	•	•
Plugs IP20 Suitability							
L620P	20 250	Black Back, White Front Body	.385"-1.150"	L6-20P	•	•	•
CRL620P	20 250	Yellow Back, White Front Body, Corrosion-Resistant	.385"-1.150"	L6-20P	•	•	•
L720P	20 277*	Black Back, White Front Body	.385"-1.150"	L7-20P	•	•	•
Flanged Inlets & Outlets							
L620FI	20 250	Gray Inlet		L6-20P	•		•
L620FO	20 250	Gray Outlet		L6-20R	•		•
L720FI	20 277*	Gray Inlet		L7-20P	•		•
L720FO	20 277*	Gray Outlet		L7-20R	•		•

*AC only.

Reference Pages I-37 and I-38 for Accessories.

Catalog Number	Description	Color
Weatherproof Cover		
WPG2	Cover for 20 and 30A Turnlok Flanged Inlets and Outlets	Gray
Stainless Steel Wall Plate		
SS720	Wall Plate for Locking Receptacles	302 S/S

Industrial Spec Grade Turnlok® Locking Devices 20 Amp NEMA L820, L920 & L2420

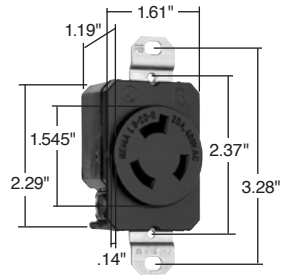
2 Pole, 3 Wire 20A, 347, 480 & 600V

Pass & Seymour

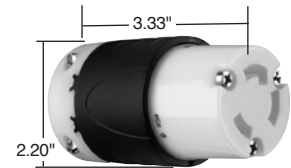


Turnlok® Locking Devices

Catalog Number	Rating A. V.	Description/Color	Cord Diameter	NEMA Config. No.	3rd Party Compliance		
					UL498	FSUL WC596	CSA
Receptacles							
L820R	20 480	Single Receptacle		L8-20R	•	•	
IGL820R	20 480	Single Receptacle, Orange, Isolated Ground		L8-20R	•	•	
L920R	20 600	Single Receptacle		L9-20R	•	•	
L3720R	20 347	Single Receptacle		L24-20R	•	•	
Connectors IP20 Suitability							
L820C	20 480	Black Back, White Front Body	.385"-1.150"	L8-20R	•	•	
L920C	20 600	Black Back, White Front Body	.385"-1.150"	L9-20R	•	•	
L3720C	20 347	Black Back, White Front Body	.385"-1.150"	L24-20R	•	•	
Plugs IP20 Suitability							
L820P	20 480	Black Back, White Front Body	.385"-1.150"	L8-20P	•	•	
L920P	20 600	Black Back, White Front Body	.385"-1.150"	L9-20P	•	•	
L3720P	20 347	Black Back, White Front Body	.385"-1.150"	L24-20P	•	•	
Flanged Inlets & Outlets							
L820FI	20 480	Gray Inlet		L8-20P	•	•	
L820FO	20 480	Gray Outlet		L8-20R	•	•	
L920FI	20 600	Gray Inlet		L9-20P	•	•	
L920FO	20 600	Gray Outlet		L9-20R	•	•	
L3720FO	20 347	Gray Outlet		L24-20R	•	•	

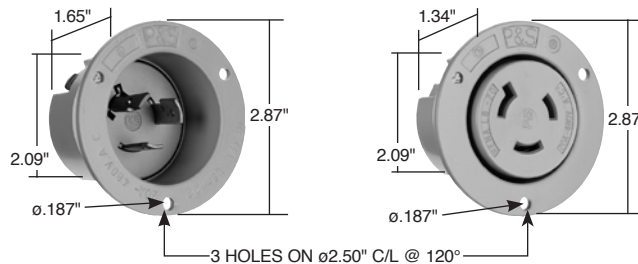
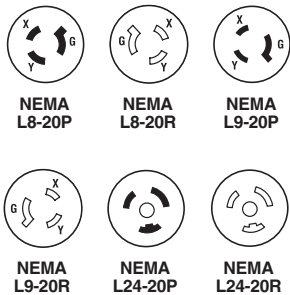


20A Receptacle

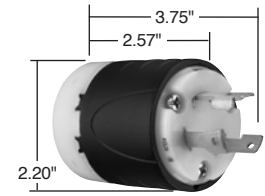


20A Connector

Reference Pages I-37 and I-38 for Accessories.

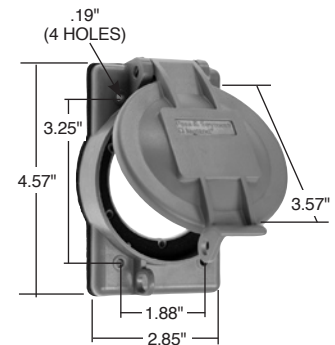


20A Flanged Inlet & Outlet



20A Plug

Catalog Number	Description	Color
Weatherproof Cover		
WPG2	Cover for 20 and 30A Turnlok Flanged Inlets and Outlets	Gray
Stainless Steel Wall Plate		
SS720	Wall Plate for Locking Receptacles	302 S/S



WPG2

All devices listed on this page conform to NEMA WD-1 and WD-6.

20 Amp NEMA L820, L920 & L2420

Industrial Spec Grade Turnlok® Locking Devices 20 Amp NEMA L820, L920 & L2420

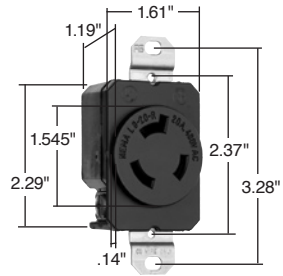
2 Pole, 3 Wire 20A, 347, 480 & 600V

Pass & Seymour

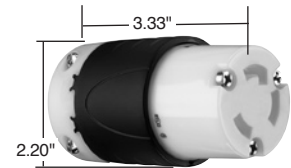


Turnlok® Locking Devices

Catalog Number	Rating A. V.	Description/Color	Cord Diameter	NEMA Config. No.	3rd Party Compliance		
					UL498	FSUL WC596	CSA
Receptacles							
L820R	20 480	Single Receptacle		L8-20R	•	•	
IGL820R	20 480	Single Receptacle, Orange, Isolated Ground		L8-20R	•	•	
L920R	20 600	Single Receptacle		L9-20R	•	•	
L3720R	20 347	Single Receptacle		L24-20R	•	•	
Connectors IP20 Suitability							
L820C	20 480	Black Back, White Front Body	.385"-1.150"	L8-20R	•	•	
L920C	20 600	Black Back, White Front Body	.385"-1.150"	L9-20R	•	•	
L3720C	20 347	Black Back, White Front Body	.385"-1.150"	L24-20R	•	•	
Plugs IP20 Suitability							
L820P	20 480	Black Back, White Front Body	.385"-1.150"	L8-20P	•	•	
L920P	20 600	Black Back, White Front Body	.385"-1.150"	L9-20P	•	•	
L3720P	20 347	Black Back, White Front Body	.385"-1.150"	L24-20P	•	•	
Flanged Inlets & Outlets							
L820FI	20 480	Gray Inlet		L8-20P	•	•	
L820FO	20 480	Gray Outlet		L8-20R	•	•	
L920FI	20 600	Gray Inlet		L9-20P	•	•	
L920FO	20 600	Gray Outlet		L9-20R	•	•	
L3720FO	20 347	Gray Outlet		L24-20R	•	•	

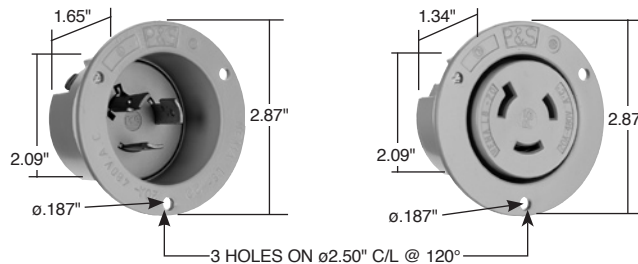
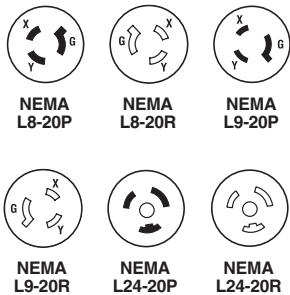


20A Receptacle

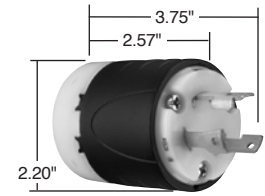


20A Connector

Reference Pages I-37 and I-38 for Accessories.

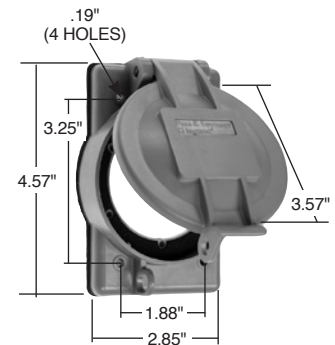


20A Flanged Inlet & Outlet



20A Plug

Catalog Number	Description	Color
Weatherproof Cover		
WPG2	Cover for 20 and 30A Turnlok Flanged Inlets and Outlets	Gray
Stainless Steel Wall Plate		
SS720	Wall Plate for Locking Receptacles	302 S/S



WPG2

All devices listed on this page conform to NEMA WD-1 and WD-6.

20 Amp NEMA L820, L920 & L2420

X-ON Electronics

Largest Supplier of Electrical and Electronic Components

Click to view similar products for [pass & seymour](#) manufacturer:

Other Similar products are found below :

[L1530-P](#) [PSL515C](#) [5278-SS](#) [L1420P](#) [L16-30C](#) [L630C](#) [PS5965-Y](#) [PS5366X](#) [WPH26](#) [PS5969-Y](#) [S-2348-DF](#) [L16-30P](#) [L530C](#) [L1430P](#)
[PS5269X](#) [PS5266X](#) [PS5266XHG](#)