

Technical Information

Compact energy efficient LED Luminaire for downlight applications



Tender text

- real MR 16 Downlight 50 W replacement → same form factor (cut out 68 mm), same beam angle (36° and 12°), more candela power
- sustainable and energy saving → luminaire efficacy 50 lm/W and up to 70% savings
- easy connection to mains voltage → precabled power supply included
- comfortable features → adjustable +/- 20° and dimming version available
- suitable for bathroom applications → IP44 rated
- economical → less than 1,5 years pay back time

Table of contents:

Tender text	1
A) Technical Information	2
1) Housing, Mounting and Accessories	2
2) Electrical Installation	4
3) Optical features	4
4) Control	6
B) Logistic Data	6

LEDVANCE™ Downlight M

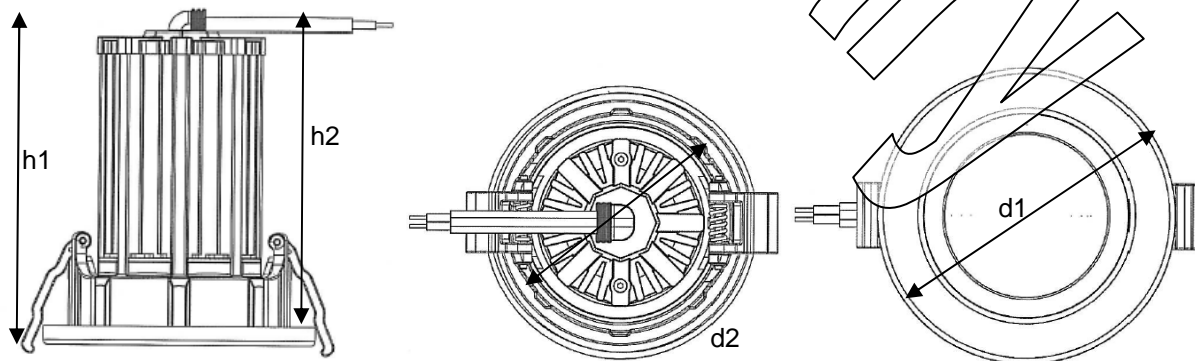


A) Technical Information

1) Housing, Mounting and Accessories

Product name	LEDVANCE™ Downlight M
Body material	Aluminium
Color of the ring (RAL)	white RAL 9016 matt
Cover material	Polymer
Type of cover	clear
Symmetry	symmetric
Adjustable	+/- 20° (40° in total)

	LEDVANCE™ Downlight M 36°	LEDVANCE™ Downlight M 12°
Total Height h1 [mm]	98 mm	103 mm
Total Diameter d1 [mm]	80 mm	80 mm
Backside depth h2 [mm]	93 mm	97 mm
Backside diameter d2 [mm]	66 mm	66 mm
Cut out diameter d3 [mm]	68 mm	68 mm



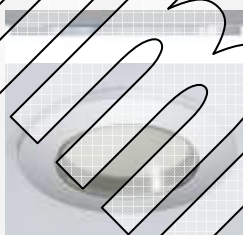
LEDVANCE™ Downlight M



Mounting type	Recessed Downlight
Net weight [g]	320
Ceiling thickness [mm]	12-24

Protection class	II
Type of protection (IP code)	IP 44
Protection against ignition and fire	F
Glow Wire Test according to IEC 695-2-1 (> 650°C)	960 °C
Ambient temperature [°C]	tbc
Storage temperature [°C]	tbc
Approval marks	ENEC, CE
Luminaire efficiency [lm/W]	> 50 lm/W

Anodized Aluminum Ring



Flat Anodized Aluminum Ring with glass cover (like standard white ring)

LEDVANCE™ Downlight M



2) Electrical Installation

- Mains voltage luminaire with on/off functionality

Product name	LEDVANCE™ Downlight M
Nominal wattage [W]	13,5 W
Mains voltage [V]	220-240 V
Mains frequency [Hz]	50-60 Hz
Suitable cable types for primary side:	NYM(3x1.5) mm ² ; U-1000 R2V (2x1 – 2x1.5 – 3x1 – 3x1.5) mm ² , H05VV-F(3x0.75 – 3x1.5) mm ² H05VV-F(2x0.75 – 2x1.5) mm ² ; H05VV-H2F(2x0.75 – 2x1.5) mm ²
Type of connection	screw terminal on power supply

3) Optical features

- OSRAM OSOLON LED inside
- High efficient reflector system

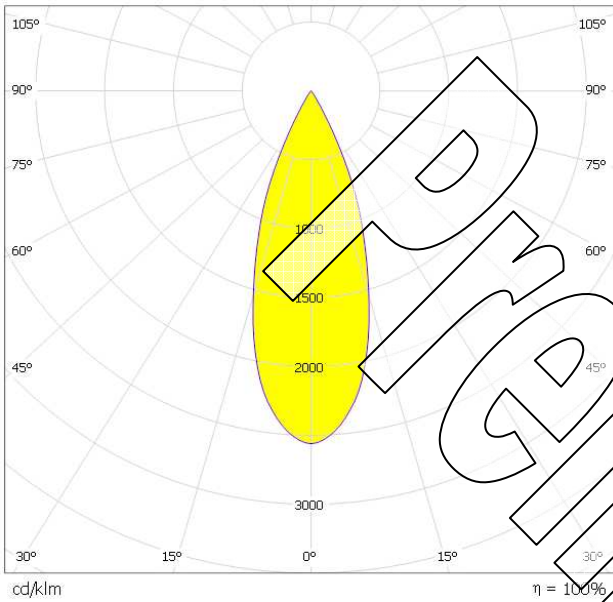
Product name	LEDVANCE™ Downlight M
LED type	OSOLON
Number of lighting outlets	9
Lifetime LED	50.000 h (L70)
Light color	White
Color rendering index (CRI)	> 80
Color temperature [K]	3000 K; 4000 K
Beam angle [°]	36°, 12°
Luminous flux [lm]	700 lm
Luminous intensity [cd]	36°: 1636 cd 12°: 7408 cd
UGR _L	19 Suitable for office environments

LEDVANCE™ Downlight M

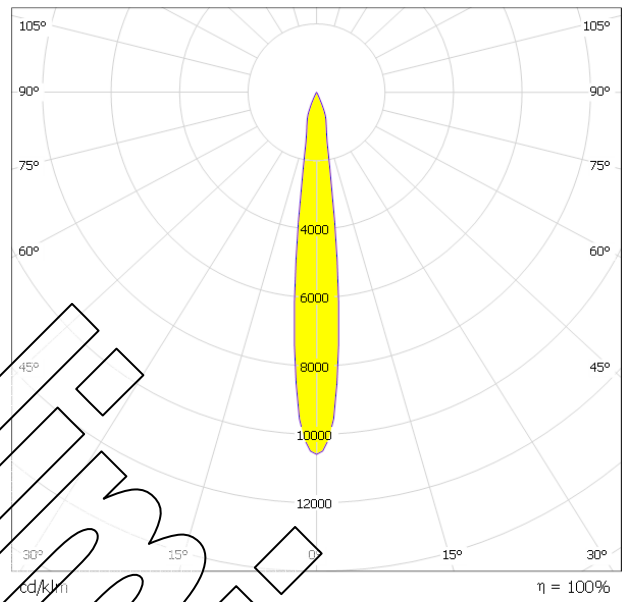


Polar diagram:

36° beam angle

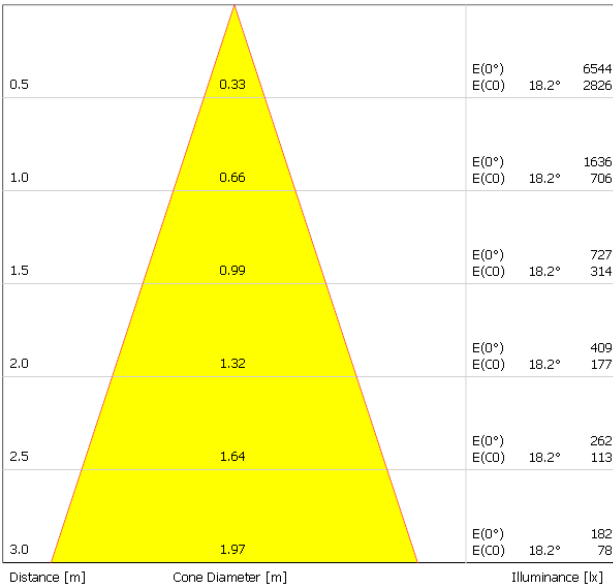


12° beam angle

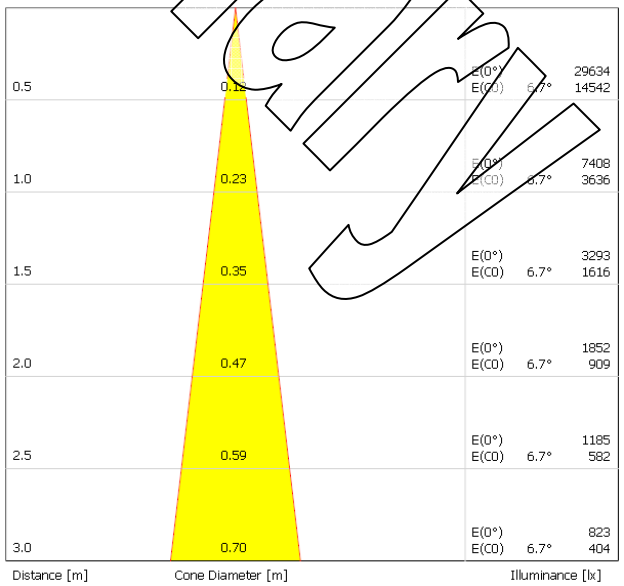


Cone diagram:

36° beam angle



12° beam angle



LEDVANCE™ Downlight M



4) Control

- Mains voltage luminaire with on/off functionality
- Dimmable version available soon

Product name	LEDVANCE™ Downlight M
Ballast / Control gear	external ECG OT18/220-240/450 precabled on the secondary side (included in the packaging)
Permissible sinusoidal operating voltage [V_{AC}]	220-240 V
Dimmable	No, (dimmable version available soon)

B) Logistic Data

Product reference	Product number (EAN 10)	Color	Light color	SU
LEDVANCE™ DOWNLIGHT M 830 L12 WT	4008321968861	white	3000 K	4x1
LEDVANCE™ DOWNLIGHT M 830 L36 WT	4008321968678	white	3000 K	4x1
LEDVANCE™ DOWNLIGHT M 840 L12 WT	4008321968685	white	4000 K	4x1
LEDVANCE™ DOWNLIGHT M 840 L36 WT	4008321968692	white	4000 K	4x1

Accessories:

Product reference	Product number (EAN 10)	Color	SU
LEDVANCE™ DOWNLIGHT M RING AL	4008321968746	anodized aluminium	4x1

AL	anodized aluminium
WT	White
830	warm White 3000 K
840	cool White 4000 K
L12	12° beam angle
L36	36° beam angle

X-ON Electronics

Largest Supplier of Electrical and Electronic Components

Click to view similar products for [Osram](#) manufacturer:

Other Similar products are found below :

[LCW W5AM-KXKY-4R9T-Z](#) [IPD2131-27](#) [418962A](#) [LT A67C-S2U1-35](#) [LT A67C-T2V1-35](#) [LG A676-P1Q2-24-Z](#) [4058075026995](#)
[4058075000247](#) [VFP300-G3-840-06](#) [79675](#) [79632](#) [OT 40/220-240/24 DIM P](#) [OT 60/220-240/24 DIM P](#) [OT 100/220-240/24 DIM P](#) [OT](#)
[130/220-240/24 DIM P](#) [OT FIT 38/220-240/900 CS S MINI](#) [OT FIT 8/220-240/180 CS PC](#) [OTI BLE 80/220-240/24 1-4CH](#) [64193](#) [LA E6SF-](#)
[BBCB-24-1-Z](#) [HDSP2112S](#) [LY E6SF-AABA-46-1-Z](#) [4058075132153](#) [47659](#) [OT 6/200-240/24 CE](#) [OT 60/220-240/12 P](#) [OT 250/220-240/24](#)
[P](#) [ELEMENT 8/220-240/200 S](#) [ELEMENT 30/220-240/700 S](#) [ELEMENT 180/220-240/24 G2](#) [64210ULT](#) [79366](#) [VF1500-G3-840-05](#)
[4058075066601](#) [OT 60/220-240/24 P](#) [64150ULT](#) [64684 ECO](#) [79403](#) [M200](#) [LO L29K-H2L1-24-Z](#) [LS M676-P2R1-1-Z](#) [LY E67B-T2V1-26-](#)
[1-Z](#) [4058075100855](#) [4058075097544](#) [51600](#) [ELEMENT 90/220-240/24](#) [OT 40/220-240/24 P](#) [OT 130/220-240/24 P](#) [LUW HWQP-5N8N-](#)
[EBVF46FCBB46-8E8H](#) [LG T770-K1L2-1](#)