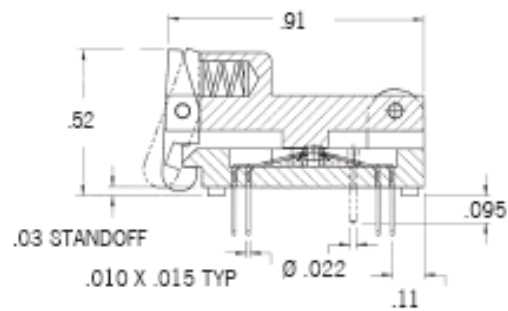
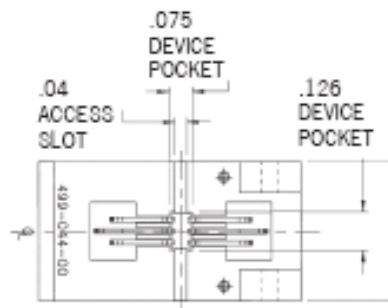


# 499 SERIES SURFACE MOUNT FAMILY OF SOT & TO DEVICE SOCKETS

- > Gold contact plating
- > High temperature materials
- > Low insertion force
- > Small outlines for greater board density

## 499-P44-20 6 Lead MO-178 Sockets



Pitch = .037"

## **X-ON Electronics**

Largest Supplier of Electrical and Electronic Components

*Click to view similar products for [wells cti](#) manufacturer:*

Other Similar products are found below :

[Wells CTI](#)