

## CL50 Column Light

Multi-Color General Purpose or Audible Indicators

### Features



- Rugged, cost-effective and easy-to-install multi-color indicators
- Illuminated light provides easy-to-see operator guidance and indication of equipment status
- 1, 2, or 3 color models available
- Optional audible function with variable intensity
- Compact devices are completely self-contained — no controller needed
- Immune to ambient light, EMI and RFI interference
- 18 to 30V dc operation
- No assembly required

### Multi-Color General-Purpose Models

Model	Colors	LED Function* – Lights Independently Selected			Connection**	Inputs
		Color 1	Color 2	Color 3		
CL50GXXPQ	1	Green	–	–	4-pin Euro integral QD connector	PNP
CL50GXXNQ		Green	–	–		NPN
CL50RXRPQ		–	Red	–		PNP
CL50RXRNQ		–	Red	–		NPN
CL50GRXPQ	2	Green	Red	–		PNP
CL50GRXNQ		Green	Red	–		NPN
CL50GRYPQ	3	Green	Red	Yellow		PNP
CL50GRYNQ		Green	Red	Yellow		NPN

## Multi-Color Audible Models

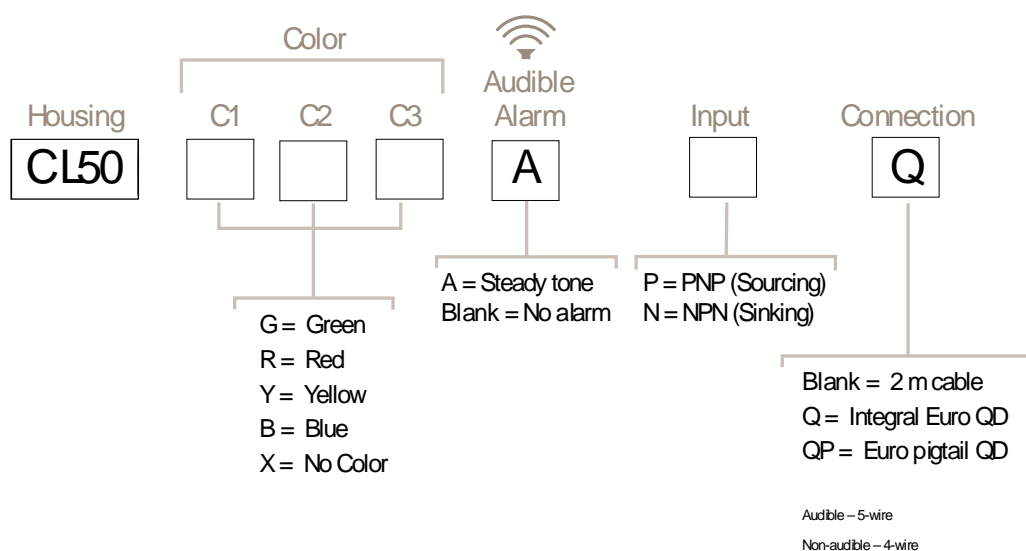
Model	Colors	LED Function* – Lights Independently Selected			Connection**	Inputs
		Color 1	Color 2	Color 3		
CL50GXXAPQ	1	Green	–	–	5-pin Euro integral QD connector	PNP
CL50GXXANQ		Green	–	–		NPN
CL50RXAPQ		–	Red	–		PNP
CL50RXANQ		–	Red	–		NPN
CL50GRXAPQ	2	Green	Red	–		PNP
CL50GRXANQ		Green	Red	–		NPN
CL50GRYAPQ	3	Green	Red	Yellow		PNP
CL50GRYANQ		Green	Red	Yellow		NPN

\* Contact factory for other colors and color combinations.

\*\* Integral QD models are listed.


- For 150 mm PVC pigtail with QD, replace **Q** with **QP** in model number (example, **CL50GRYPQP**).
- For 2 m (6.5') cable, omit suffix **Q** from model number (example, **CL50GRYP**).
- A model with a QD requires a mating cable (see [Quick-Disconnect \(QD\) Cordsets](#) on page 7).

## Model Key\*

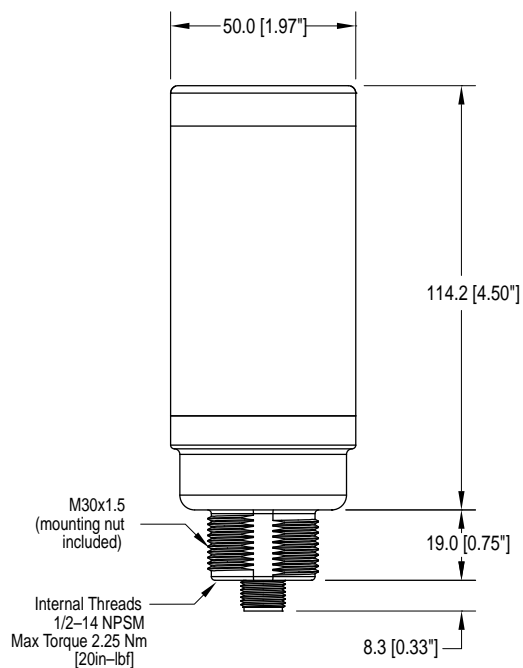


\*Create your own model according to this key if the standard selection from page 1 does not meet your requirements. Consult factory for availability.

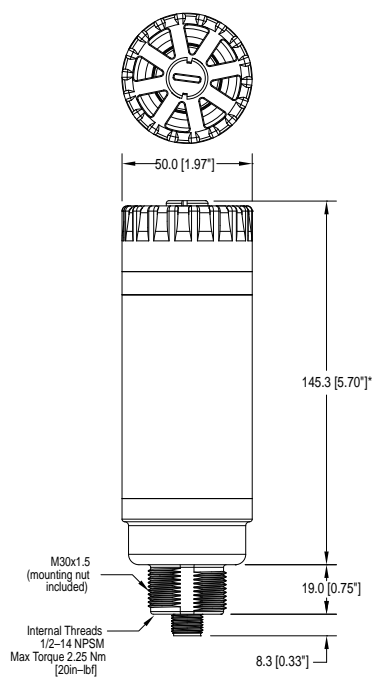
## Specifications

Feature	Description
<b>Supply Voltage and Current</b>	18 to 30V dc (10% max. ripple) <b>Indicators:</b> @ 100 mA max. current at 18V dc; 70 mA max. current at 30V dc <b>Audible Alarm:</b> @ 25 mA max. current at 18 to 30V dc
<b>Indicators</b>	LEDs or audible alarm are independently selected: Green, Red, Yellow; 1-3 colors depending on model
<b>Input Response Time</b>	<b>Indicator ON/OFF:</b> 10 ms (max.)
<b>Oscillation Frequency ( Audible only )</b>	2.7 KHz $\pm$ 500 Hz <b>Max. Intensity (typical):</b> 95 db @ 1 meter
<b>Audible Adjustments</b>	The audible intensity can be adjusted by unscrewing the cover. The cover should not be unscrewed more than one and a half turns or it may detach during operation. For max. intensity, remove the center plug by rotating it 180° counterclockwise.
<b>Construction</b>	<b>Bases and Covers:</b> ABS <b>Light Segment:</b> Polycarbonate
<b>Environmental Rating</b>	<b>General-Purpose:</b> IEC IP67 <b>Audible:</b> IEC IP50
<b>Connections</b>	Integral 4-pin or 5-pin Euro-style QD, 150 mm PVC pigtail with QD, or 2 m (6.5') integral cable, depending on model
<b>Operating Conditions</b>	<b>General-Purpose:</b> -40° to +50° C (-40° to +122° F) <b>Audible:</b> -20° to +50° C (-4° to +122° F)
<b>Certifications</b>	

## Multi-Color General-Purpose Dimensions



## Multi-Color Audible Dimensions



## Hookups – Multi-Color General-Purpose Models

Sourcing (PNP) Input	Sinking (NPN) Input	
		<b>Key:</b> 1 = Brown 2 = White 3 = Blue 4 = Black C1 = Color 1 C2 = Color 2 C3 = Color 3
If there is an X in the model number, that corresponding wire will not be used		

## Hookups – Multi-Color Audible Models

Sourcing (PNP) Input	Sinking (NPN) Input	
		<b>Key:</b> 1 = Brown 2 = White 3 = Blue 4 = Black 5 = Gray C1 = Color 1 C2 = Color 2 C3 = Color 3 A = Audible
If there is an X in the model number, that corresponding wire will not be used		

### Functional Truth Table: PNP Models

LED Function	Pin 4 (Black Wire)	Pin 1 (Brown Wire)	Pin 2 (White Wire)
Color 1 ON	+Vdc		
Color 2 ON		+Vdc	
Color 3 ON			+Vdc
Color 3 ON (color 3 inhibits color 1)	+Vdc		+Vdc
Color 2 ON (color 2 inhibits color 1)	+Vdc	+Vdc	
Color 3 ON (color 3 inhibits color 2)		+Vdc	+Vdc
Color 3 ON (color 3 inhibits colors 1 & 2)	+Vdc	+Vdc	+Vdc

NOTES:

- Pin 3 (blue wire) connected to ground (-)
- **Alarm models:** Alarm function is independent of light functions

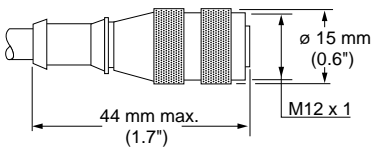
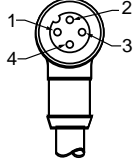
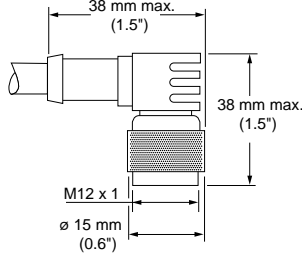
### Functional Truth Table: NPN Models

LED Function	Pin 4 (Black Wire)	Pin 3 (Blue Wire)	Pin 2 (White Wire)
Color 1 ON	-Vdc		
Color 2 ON		-Vdc	
Color 3 ON			-Vdc
Color 3 ON (color 3 inhibits color 1)	-Vdc		-Vdc
Color 2 ON (color 2 inhibits color 1)	-Vdc	-Vdc	
Color 3 ON (color 3 inhibits color 2)		-Vdc	-Vdc
Color 3 ON (color 3 inhibits colors 1 & 2)	-Vdc	-Vdc	-Vdc

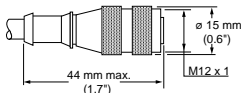
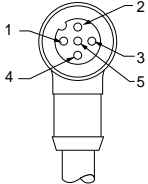
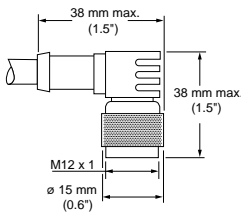
NOTES:

- Pin 1 (brown wire) connected to +Vdc
- **Alarm models:** Alarm function is independent of light functions

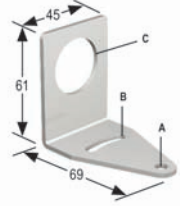

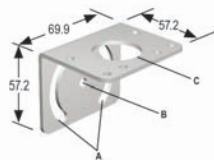
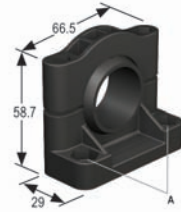
## Quick-Disconnect (QD) Cordsets

4-Pin Euro-Style Cables – Single-Ended				
Style	Model	Length	Dimensions	Pinout
4-pin Euro-style straight	<b>MQDC-406</b>	2 m (6.5')		
	<b>MQDC-415</b>	5 m (15')		
	<b>MQDC-430</b>	9 m (30')		
4-pin Euro-style Right-angle	<b>MQDC-406RA</b>	2 m (6.5')		<p>1 = Brown 2 = White 3 = Blue 4 = Black</p>
	<b>MQDC-415RA</b>	5 m (15')		
	<b>MQDC-430RA</b>	9 m (30')		

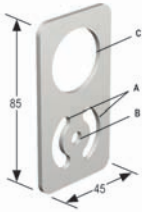
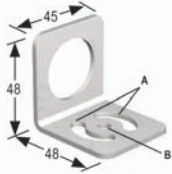
## Quick-Disconnect (QD) Cordsets

5-Pin Euro-Style Cables – Single-Ended				
Style	Model	Length	Dimensions	Pinout
5-pin Euro-style Straight	<b>MQDC1-506</b>	2 m (6.5')		<p style="text-align: center;">Female</p> 
	<b>MQDC1-515</b>	5 m (15')		
	<b>MQDC1-530</b>	9 m (30')		
5-pin Euro-style Right-Angle	<b>MQDC1-506RA</b>	2 m (6.5')		<p>1 = Brown 2 = White 3 = Blue 4 = Black 5 = Gray</p>
	<b>MQDC1-515RA</b>	5 m (15')		
	<b>MQDC1-530RA</b>	9 m (30')		





## Mounting Brackets

Model	Features	Dimensions (all measurements in mm)
<b>SMB30A</b>	<ul style="list-style-type: none"> <li>• Right-angle bracket with curved slot for versatile orientation</li> <li>• Clearance for M6 (1/4") hardware</li> <li>• 30 mm mounting hole</li> <li>• 12-ga. stainless steel</li> </ul>	 <p><b>Hole center spacing:</b> A to B=40.0  <b>Hole size:</b> A=∅ 6.3, B=27.3 x 6.3, C=∅ 30.5</p>
<b>SMB30FA</b>	<ul style="list-style-type: none"> <li>• Swivel bracket with tilt and pan movement for precision adjustment</li> <li>• 30 mm mounting hole</li> <li>• 12-ga. 304 stainless steel</li> </ul>	 <p>A=3/8 - 16 x 50.8  <b>Hole size:</b> B=∅ 30.1</p>
<b>SMB30MM</b>	<ul style="list-style-type: none"> <li>• 12-ga. stainless steel bracket with curved mounting slots for versatility and orientation</li> <li>• Clearance for M6 (1/4") hardware</li> <li>• 30 mm mounting hole</li> </ul>	 <p><b>Hole center spacing:</b> A=51.0, A to B=25.4  <b>Hole size:</b> A=42.6 x 7.0, B=∅ 6.4, C=∅ 30.1</p>
<b>SMB30SC</b>	<ul style="list-style-type: none"> <li>• Swivel bracket with 30 mm mounting hole</li> <li>• Black reinforced thermoplastic polyester</li> <li>• Stainless steel mounting and swivel locking hardware included</li> </ul>	



Model	Features	Dimensions (all measurements in mm)
		<p><b>Hole center spacing:</b> A to B=50.8</p> <p><b>Hole size:</b> A=∅ 7.0</p>
<p><b>SMBAMS30P</b></p>	<ul style="list-style-type: none"> <li>• Flat SMBAMS series bracket</li> <li>• 30 mm mounting hole</li> <li>• Articulation slots for 90+° rotation</li> <li>• 12-ga. 300 series stainless steel</li> </ul>	 <p><b>Hole center spacing:</b> A=26.0, A to B=13.0</p> <p><b>Hole size:</b> A=26.8 x 7.0, B=∅ 6.5, C=∅ 31.0</p>
<p><b>SMBAMS30RA</b></p>	<ul style="list-style-type: none"> <li>• Right-angle SMBAMS series bracket</li> <li>• 30 mm mounting hole</li> <li>• Articulation slots for 90+° rotation</li> <li>• 12-ga. cold rolled stainless steel</li> </ul>	 <p><b>Hole center spacing:</b> A=26.0, A to B=13.0</p> <p><b>Hole size:</b> A=26.8 x 7.0, B=∅ 6.5, C=∅ 31.0</p>

## Mounting Systems - Elevated Mount

Model		Features	Mounting System	
<b>SA-M30TE12</b>		<ul style="list-style-type: none"> <li>Streamlined acetal stand-off pipe adapter/cover</li> <li>Connects between TL50 Tower Light and ½" NPSM/DN15 pipe</li> <li>Mounting hardware included</li> </ul>		
<b>Stainless Steel</b>	<b>Aluminum</b>	<ul style="list-style-type: none"> <li>Elevated-use stand-off pipe (½" NPSM/DN15)</li> <li>Polished 304 stainless steel or anodized aluminum surface</li> <li>½ NPT thread at both ends</li> <li>Compatible with most industrial environments</li> </ul>		
<b>SOP-E12-150SS</b> Length: 150 mm (6")	<b>SOP-E12-150A</b> Length: 150 mm (6")			
<b>SOP-E12-300SS</b> Length: 300 mm (12")	<b>SOP-E12-300A</b> Length: 300 mm (12")			
<b>SA-E12M30</b>		<ul style="list-style-type: none"> <li>Streamlined acetal mounting base adapter/cover</li> <li>Connects between ½" NPSM/DN15 pipe and 30 mm (1-3/16") drilled hole</li> <li>Mounting hardware included</li> </ul>		



**WARNING . . . Not To Be Used for Personnel Protection**

**Never use this product as a sensing device for personnel protection. Doing so could lead to serious injury or death**

This product does NOT include the self-checking redundant circuitry necessary to allow its use in personnel safety applications. A sensor failure or malfunction can cause either an energized or de-energized sensor output condition. Consult your Banner Safety Products catalog for safety products that meet OSHA, ANSI and IEC standards for personnel protection.

## X-ON Electronics

Largest Supplier of Electrical and Electronic Components

*Click to view similar products for [banner manufacturer](#):*

Other Similar products are found below :

[Q45VR2FPQ](#) [BTA23S](#) [RS-11](#) [L16F](#) [2LM3](#) [2PBA](#) [LM8-1](#) [LMT](#) [SM312CV](#) [SM31RQD](#) [LS4ELQ](#) [FX1](#) [Q45BB6LLQ](#) [QM42VP6AFV150Q](#)  
[D12SP6FP](#) [MBCC-412](#) [BA23S](#) [BT21S](#) [BTA13S](#) [LM4-2](#) [Q25SP6LPQ](#) [ES-FA-6G](#) [T183E](#) [SLSP30-600Q88](#) [SLSP30-1200Q88](#) [OTBVN6QD](#)  
[OPBA5](#) [PBAT](#) [SBLV1](#) [SMA91EQD](#) [SMA91E](#) [SMA912LVQD](#) [SMA912DQD](#) [SM2A312CVQD](#) [SM2A912LVQD](#) [SM312FP1H](#) [SM31RL](#)  
[TL70RAQ](#) [TL70RQ](#) [K50LGRYPQ](#) [BRT-THG-4X4-5](#) [T18-2VNDL-Q8](#) [SLLP14-1190P88](#) [SME312DQD](#) [SM312CUQD](#) [BR-2](#) [BR23P](#)  
[SM2A312FPQD](#) [SM2A312LVQD](#) [SM31EQD](#)