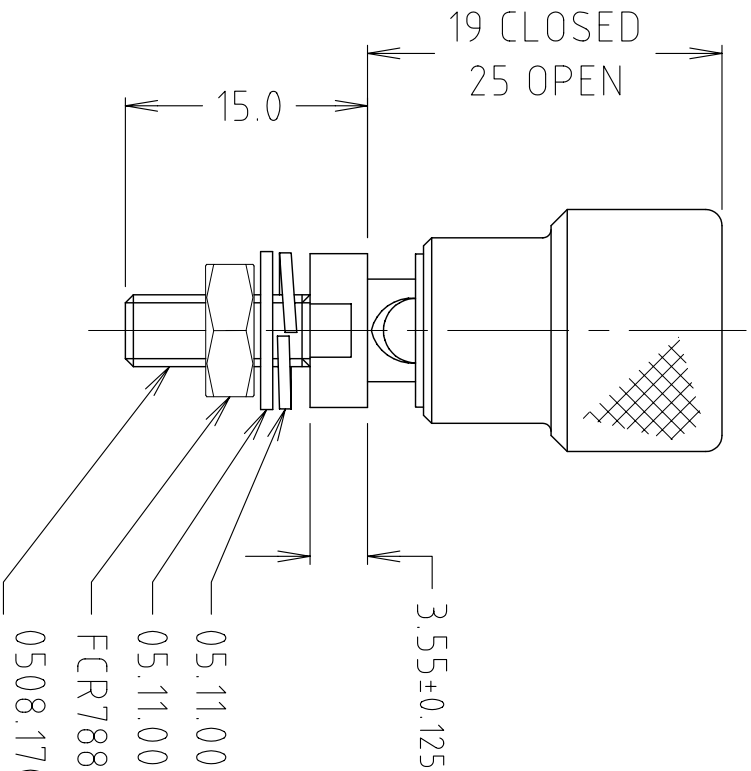


RED OR BLACK COLOURED INSERT.  
 Ø6.80 STANDARD OR Ø3.60 'Y' TYPE  
 CENTRE HOLE SEE TABLE



- 05.11.0006.87 - SPRING WASHER
- 05.11.0002.53 - PLAIN WASHER
- FCR7880SA7 - NUT
- 0508.1701.52 - SPINDLE ASSEMBLY
- 10x32 UNF THREAD

VARIANTS			
PART NUMBER	USES INSERT	INSERT COLOUR	INSERT HOLE TYPE
CL2160B	FCR7916B	BLACK	Ø6.80 STANDARD
CL2160R	FCR7916R	RED	Ø6.80 STANDARD
CL2160BY	FCR7915B	BLACK	Ø3.60 Y TYPE
CL2160RY	FCR7915R	RED	Ø3.60 Y TYPE

SUPPLIED UNASSEMBLED AS A KIT OF PARTS  
 ALL ITEMS 1 PER KIT.

**Cliff Electronic Components Ltd.**

76 Holmecheppe Avenue, Holmecheppe Industrial Estate,  
 Redhill, Surrey, RH1 2PF, England, UK  
 Tel: 01737-771375 Fax: 01737-766012 Website: www.cliffuk.co.uk  
 THE CONTENTS OF THIS DOCUMENT MUST NOT BE COPIED OR DISCLOSED  
 TO A 3rd PARTY WITHOUT WRITTEN PERMISSION OF CLIFF UK © 1999

DIMENSIONS IN MILLIMETERS UNLESS OTHERWISE STATED. WORK TO DIMENSIONS. REMOVE ALL BURRS. IF IN DOUBT ASK	MATERIAL: BRASS / NYLON 6
FINISH: GOLD FLASH / SPARKED TO 32 VDI	
DRAWN: C.A.M.J.	APPROVED: R.W.T.

TITLE: HI FI TERMINAL TP/6CS	3rd ANGLE PROJECTION:
1ST DRAWN: 4/2/99	DO NOT SCALE
DRWG. No. CL2160	FORM: ADDRWH



**TOLERANCE**  
 NO DEC. PLACE ±0.50  
 1 DEC. PLACE ±0.20  
 2 DEC. PLACE ±0.10  
 HOLE Ø ±0.10  
 ANGLES ± 1/2°  
 UNLESS OTHERWISE STATED

ISS.	AMEND	DATE
1	ISSUED	15/03/99
2	WAS CL2160B	18/02/05
3	UPDATED	16/11/12

## X-ON Electronics

Largest Supplier of Electrical and Electronic Components

*Click to view similar products for [Test Sockets](#) category:*

*Click to view products by [Cliff](#) manufacturer:*

Other Similar products are found below :

[AXS-5032-04-02](#) [AXS-3225-04-06](#) [AXS-7050-04-12](#) [5662](#) [BP30-10-B](#) [BP30GNN-1 PKG](#) [BP30-10Y-1 PKG](#) [AXS-7050-04-01](#) [AXS-5032-04-06](#) [AXS-2520-04-01](#) [AXS-5032-04-04](#) [930308101](#) [931714101](#) [15.0084-21](#) [563-0500](#) [20.1020-21](#) [20-313137](#) [20-313139](#) [20-313144](#) [20-313140](#) [20-313143](#) [22.1042](#) [+ 22.2370-22](#) [23.1010-23, 24, 25, 26, 27](#) [24.0160-1+25.0035](#) [24.0160-4+25.0035](#) [24.116-22](#) [5281](#) [5279](#) [450-3704-01-06-00](#) [AXS-3225-04-04](#) [AXS-3225-04-10](#) [AXS-7550-06-03](#) [AXS-7550-06-05](#) [269RB](#) [2713BB](#) [BP30BN-1 PKG](#) [BP30RN-1 PKG](#) [571-0200](#) [450-3422-01-06-00](#) [450-3888-01-04-00](#) [BP30GP10](#) [571-0400](#) [571-0600](#) [66.9131-23](#) [66.9427-22](#) [BP21-2BRN-B PKG](#) [930058104](#) [930103102](#) [930103188](#) [930103700](#)