

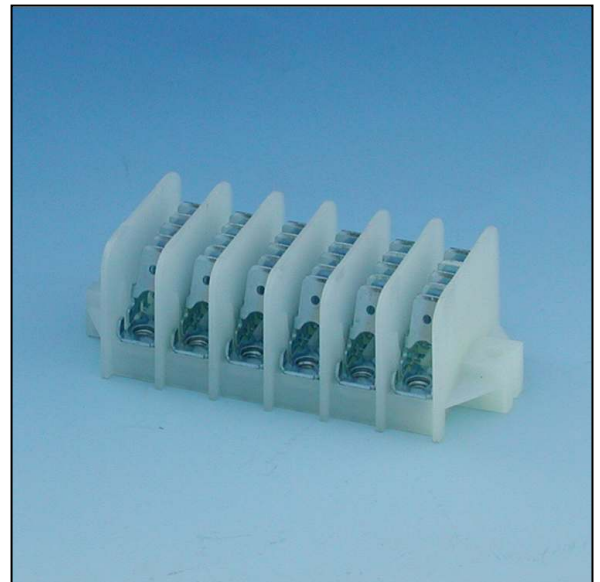


Distribution-connector 1 - 24-pole, plug-side 4 mm², with 5 flat plugs 6,3 x 0,8 each pole (screw-side 2,5 mm²)

Casing : polyamide
Contact-part : zinc-plated steel
Screw : M 4 zinc-plated steel

This connector is available in 1 - 24-pole. Each solid contact offers 5 push wire connections and can be equipped with 1 screw-type terminal each. This connector is available in other thermoplastic materials. Article-no. and weights are without screw terminals.

Shunts can be supplied as an option, separately of factory-mounted.



$\frac{17,5 A}{450V}$

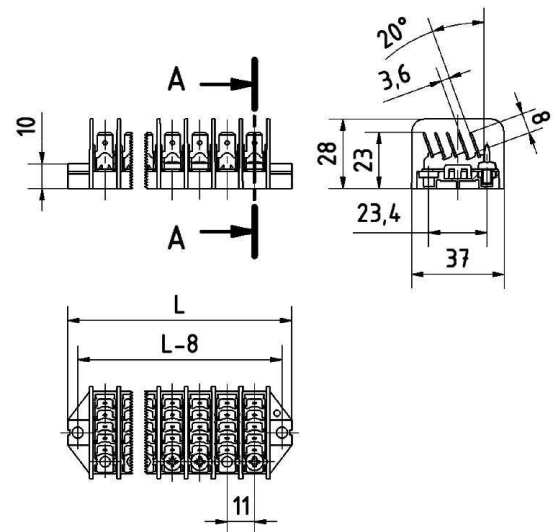
PTI 250

T110

0.75mm²-1.5mm²

0.75mm²-1.5mm²

No. of poles	Length	Article-no.	Fixing	Colour	kg/100 pcs.	Pkg. qty.
1	30,0	1195350001	-	natural	1,5	250
2	41,0	1195350002	-	natural	2,2	200
3	52,0	1195350003	-	natural	2,9	200
4	63,0	1195350004	-	natural	3,5	100
5	74,0	1195350005	-	natural	4,2	100
6	85,0	1195350006	-	natural	4,9	100
7	96,0	1195350007	-	natural	5,5	100
8	107,0	1195350008	-	natural	6,2	50
9	118,0	1195350009	-	natural	6,9	50
10	129,0	1195350010	-	natural	7,5	50
11	140,0	1195350011	-	natural	8,2	50
12	151,0	1195350012	-	natural	8,9	50
13	162,0	1195350013	-	natural	9,6	50
14	173,0	1195350014	-	natural	10,2	25
15	184,0	1195350015	-	natural	10,9	25
16	195,0	1195350016	-	natural	11,6	25
17	206,0	1195350017	-	natural	12,3	25
18	217,0	1195350018	-	natural	13,0	25
19	228,0	1195350019	-	natural	13,7	25
20	239,0	1195350020	-	natural	14,4	25
21	250,0	1195350021	-	natural	15,1	25
22	261,0	1195350022	-	natural	15,8	25
23	272,0	1195350023	-	natural	16,5	25
24	283,0	1195350024	-	natural	17,2	25



X-ON Electronics

Largest Supplier of Electrical and Electronic Components

Click to view similar products for [hylec manufacturer](#):

Other Similar products are found below :

[LN167001](#) [50.625 PA/3X7](#) [50.620 PA/R](#) [DESTB-1003](#) [THB.406.A1G](#) [THB.387.A4A.R](#) [K150-1032-00](#) [THB.380.3ASSY](#)
[GHG9601955R0004](#) [THB.381.M2A](#) [K151-1032-00](#) [HYKS-07612PP](#) [THB.382.A1A-KIT](#) [THB.390.A1AKIT](#) [THK.404.X2A00-F](#) [50.216 ES](#)
[50.616M/EMVDL-F](#) [50.625 ES](#) [PA244SKIT](#) [THB.387.A3A](#) [THB.405.A2A](#) [50.220 M-F](#) [HY435/12 FV](#) [THB110A6B-F](#) [50.216 M-F](#)
[THB.387.B5A](#) [5625////1121](#) [THB.405.A2G](#) [THA.209.A1A](#) [DESTB-1002](#) [THB.384.A1A](#) [K257-1012-00](#) [6000302CC](#) [TTK25BK-SD-F](#)
[TTK20GY-SD-F](#) [DESTB-0403](#) [THB.399.E3A-KIT](#) [50.625 PA/RSW](#) [HY508/3 V/3F](#) [5665/221](#) [THB.387.D4A](#) [THB.387.B4A](#) [THR.405.S5A](#)
[THB.387.A5A](#) [THB.387.C5A](#) [THB.387.D3A](#) [50.625 M/EMVDL-F](#) [THK.200.3T](#) [THB.381.A2A](#) [K160-1040-00](#)