

RJ45 connector - VS-08-RJ45-Q - 1402420

Please be informed that the data shown in this PDF Document is generated from our Online Catalog. Please find the complete data in the user's documentation. Our General Terms of Use for Downloads are valid (<http://phoenixcontact.com/download>)




RJ45 connector, IP20, CAT5e, 8-pos., with QUICKON fast connection technology, for 26 ... 24 AWG 1-wire and 7-wire conductors, color: black



Ethernet

Key commercial data

Packing unit	1 pc
GTIN	 4 046356 615501
Weight per Piece (excluding packing)	12.12 g
Custom tariff number	85366990
Country of origin	Germany
Product key	ABNAAA

Technical data

Mechanical characteristics

Number of positions	8
Connection profile	RJ45 8(8)
Shielded	Yes
Insertion/withdrawal cycles	≥ 750
Connection method	IDC fast connection
Conductor cross section	0.13 mm ² ... 0.21 mm ² (solid) 0.14 mm ² ... 0.23 mm ² (7-wire)
Connection cross section AWG	26 ... 24 (solid) 26 ... 24 (7-wire)
Max. cable diameter	4.5 mm ... 8 mm
External cable diameter	4.5 mm ... 8 mm
Cable exit	Straight
Color	green

Ambient conditions

Ambient temperature (operation)	-20 °C ... 70 °C
---------------------------------	------------------

RJ45 connector - VS-08-RJ45-Q - 1402420

Technical data

Ambient conditions

Degree of protection	IP20
----------------------	------

Material data

Inflammability class according to UL 94	V2
Housing material	PA 6.6
Contact material	CuSn

Electrical characteristics

Number of positions	8
Nominal voltage U_N	50 V
Nominal current I_N	1.75 A
Transmission characteristics (category)	CAT5 (IEC 11801:2002), CAT5e (TIA 568B:2001)
Rated current	1.75 A
Surge voltage category	I
Pollution degree	2

Classifications

eCl@ss

eCl@ss 4.0	27140816
eCl@ss 4.1	27260701
eCl@ss 5.0	27260701
eCl@ss 5.1	27260701
eCl@ss 6.0	27260705
eCl@ss 7.0	27440309
eCl@ss 8.0	27440312

ETIM

ETIM 4.0	EC001121
ETIM 5.0	EC002636

UNSPSC

UNSPSC 6.01	31261501
UNSPSC 7.0901	31261501
UNSPSC 11	31261501
UNSPSC 12.01	31261501
UNSPSC 13.2	31261501

Accessories

Accessories

RJ45 connector - VS-08-RJ45-Q - 1402420

Accessories

Tool - VS-CABLE-STRIP-VARIO - 1657407

Stripping tool, for the multi-level stripping of shielded cables



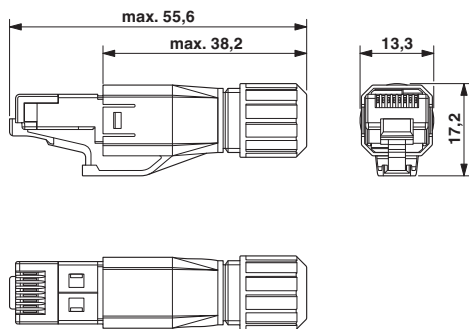
Shielding foil - VS-08-RJ45-FOLIEN-SET - 1417184

Shielding foil set, 25 pieces, replacement for RJ45 and M12 Quickon connector



Drawings

Dimensioned drawing



RJ45 connector, IP20

Catalog photo



Ethernet

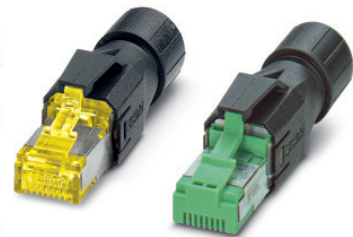


Figure may contain other products.

X-ON Electronics

Largest Supplier of Electrical and Electronic Components

Click to view similar products for [Modular Connectors / Ethernet Connectors](#) category:

Click to view products by [Phoenix Contact](#) manufacturer:

Other Similar products are found below :

[RJE231881317T](#) [MP1010RX-1000](#) [MP44RX-1000](#) [GAX-3-66](#) [GAX-8-62](#) [93606-0253](#) [GD-A-44](#) [GDCX-PA-66-50](#) [GDCX-PN-64](#) [GDCX-PN-66](#) [GDCX-PN-66-50](#) [GDLX-A-66](#) [GDLX-A-88](#) [GDLX-N-66](#) [GDLX-S-88K](#) [GDTX-S-88-50](#) [GDX-PA-1010](#) [GLX-N-1010M-BLK](#) [GLX-N-44M](#) [GLX-S-88M-BLK](#) [GMX-N-1010](#) [GMX-S-1010](#) [GMX-S-66](#) [GMX-SMT2-N-1010](#) [GMX-SMT2-N-64-50](#) [GMX-SMT2-S6-88](#) [GMX-SMT4-N-88](#) [GPX-2-64](#) [GRT1-BT1-5](#) [GSGX-N-2-88](#) [GSX-NS2-88-3.05](#) [GSX-NS2-88-3.05-50](#) [GSX-NS-88-3.05-30](#) [GSX-NS-88-3.05-50](#) [GSX-NS-88-3.68](#) [1-1775629-2](#) [GWLX-S-88-GR](#) [GWLX-S9-88-YG](#) [1300500326](#) [1300500227](#) [1300530003](#) [1300570002](#) [1324640-4](#) [RJ11FTVC2G](#) [RJ11FTVC2N](#) [RJFTVX2SA1G](#) [132764-001](#) [1400000](#) [1413176](#) [1413235](#)