

THIS DRAWING IS UNPUBLISHED.

RELEASED FOR PUBLICATION

ALL RIGHTS RESERVED.

© COPYRIGHT - By -

LOC E DIST B

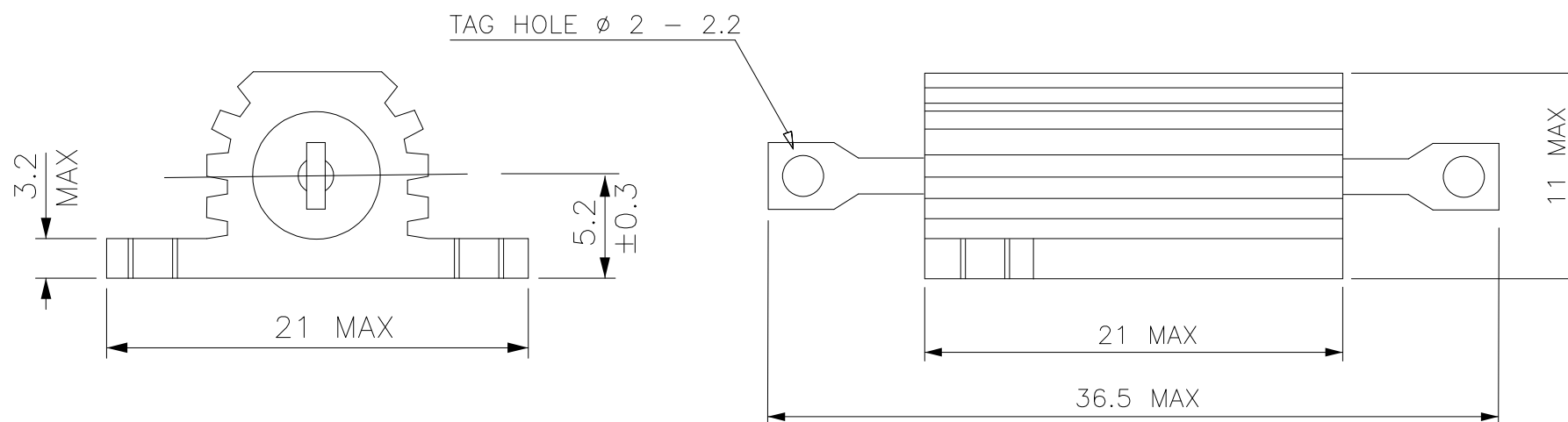
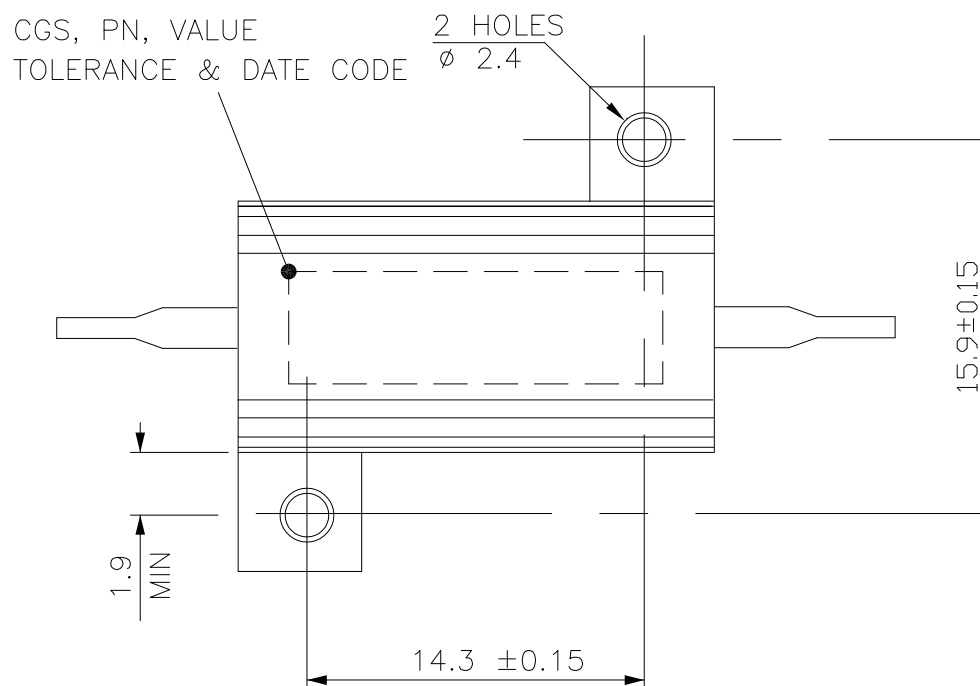
REVISIONS

P	LTR	DESCRIPTION	DATE	DWN	APVD
P		REVISED PER ECO-11-005150	21MAR11	RK	HMR

TECHNICAL SPECIFICATION

DISSIPATION AT 25°C	16 WATTS MOUNTED ON STANDARD HEATSINK
BS OHMIC RANGE	R01 TO 10K
STABILITY	$\Delta R \leq 1\%$ PER 1000HRS
ISOLATION VOLTAGE	1400V DC/AC PK
MAX WORKING VOLTAGE	265V DC/AC RMS
TEMP COEFFICIENT	<100R ± 50 ppm/°C >100R ± 30 ppm/°C
CLIMATIC CATEGORY	55/200/56

FOR FURTHER INFORMATION SEE DATA SHEET FOR THS SERIES ALUMINIUM HOUSED RESISTORS



FOR A SPECIFIC PN A RESISTANCE VALUE AND TOLERANCE, PLEASE REFER TO DMF.

RoHS Compliant

THIS DRAWING IS A CONTROLLED DOCUMENT.		DWN R BLANCH 19SEPT06	TE Connectivity		
DIMENSIONS: mm		CHK J CATCHPOLE 19SEPT06			
TOLERANCES UNLESS OTHERWISE SPECIFIED:		APVD J CATCHPOLE 19SEPT06	PRODUCT SPEC		
0 PLC ± 0.5		APPLICATION SPEC			
1 PLC ± 0.2		WEIGHT -			
2 PLC ± 0.1		SIZE A3	CAGE CODE 00779	DRAWING NO C-1879074	RESTRICTED TO -
3 PLC $\pm -$		CUSTOMER DRAWING			
4 PLC $\pm -$		SCALE NTS			
ANGLES $\pm 5^\circ$		SHEET 1 OF 1			
MATERIAL -		REV P			
FINISH -					

X-ON Electronics

Largest Supplier of Electrical and Electronic Components

Click to view similar products for [Wirewound Resistors - Chassis Mount](#) category:

Click to view products by [TE Connectivity](#) manufacturer:

Other Similar products are found below :

[HD300HLR71J](#) [VK100NA-50](#) [40/70MJ2K00BE](#) [L75J1K0E](#) [VK100NA250](#) [L100J150E-MT1](#) [L50J500E-MT1](#) [SL130J100K-12](#)
[HSC1004R0F](#) [F30J20R](#) [HSC1008R0F](#) [HSX25R22J](#) [L100J40K](#) [CL65J10R](#) [HSW600 47R J](#) [HSW600 1R J](#) [L12NJ20R](#) [75342-400](#) [HSW600](#)
[22R J](#) [VRH320 1K K](#) [VRH320 100R K](#) [968.15 110M C E](#) [HSW600 4R7 J](#) [40/70MJ230R0HE](#) [L25J500E-MT1](#) [1-2176247-6](#) [1-2176248-5](#) [2-](#)
[2176248-0](#) [1-2176249-3](#) [C1500K12R](#) [FST02515E50R00KEE3](#) [AG5NFR68E](#) [AG12NFR68E](#) [AG12NFR47E](#) [AG12NFR56E](#) [AG12NFR33E](#)
[CL25J39R](#) [AG12NFR22E](#) [850J220E](#) [AG12NFR10E](#) [CL225J30K](#) [810F7R7E](#) [LN100J75RE](#) [D50K100-B](#) [L225J6K0E](#) [21025K538-5R0KE](#)
[LN80J30R](#) [C300KR75E](#) [D50K25R-B](#) [LN80J14R](#)