

AC Cooling Fan 3C

80mm x 80mm x 38mm
3.15" x 3.15" x 1.50"

Size:

80x80x38mm
(3.15"x3.15"x1.50")

Construction:

- Die-Cast aluminum housing
- Fiberglass reinforced plastic impeller inflammable material (UL94V-0 rating)
- Impedance protection
- Available in Ball/Sleeve Bearing
- Available in Lead Wire/Terminal

Operating Temperature:

Ball Bearing: -30° C to +75° C
Sleeve Bearing: -10° C to +70° C

Weight:

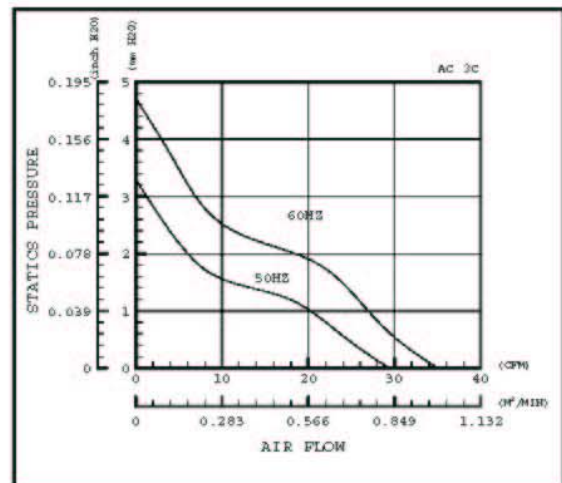
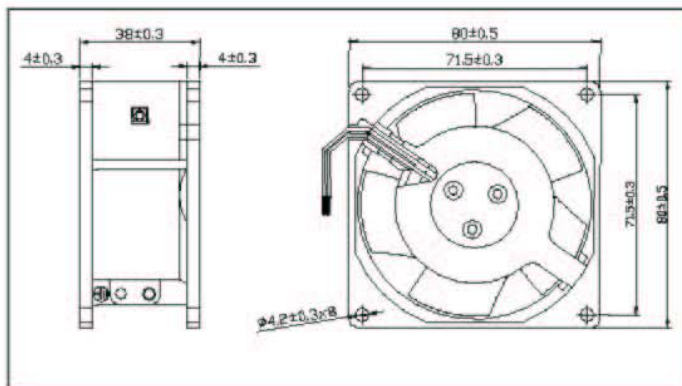
330 grams



Specifications

Specifications are subject to change without notice

MODEL NO.	BEARING	RATED VOLTAGE	FREQUENCY	MAX RATED CURRENT	MAX INPUT POWER	SPEED	MAX. AIR FLOW		MAX AIR PRESSURE		NOISE
		VAC	Hz	mA	W	R.P.M.	m ³ /min	CFM	mmH ₂ O	inH ₂ O	
3C-115HB	Ball	...	50/60	180/150	15/12	2600/3000	0.79/0.96	28/34	3.3/4.7	0.13/0.19	30/36
3C-115HS	Sleeve	...	50/60	180/150	15/12	2600/3000	0.79/0.96	28/34	3.3/4.7	0.13/0.19	30/36
3C-230HB	Ball	...	50/60	90/75	15/12	2600/3000	0.82/0.99	29/35	3.3/4.7	0.13/0.19	29/35
3C-230HS	Sleeve	...	50/60	90/75	15/12	2600/3000	0.82/0.99	29/35	3.3/4.7	0.13/0.19	29/35



* Certifications in process

X-ON Electronics

Largest Supplier of Electrical and Electronic Components

Click to view similar products for [bi-sonic manufacturer](#):

Other Similar products are found below :

[9P-230LS-T](#) [8P-230LS-T](#) [4C-230HB-T](#) [BP1202524M-W](#) [BP501012M-W](#) [8P-230HB-T](#) [BP1203824H-03-W](#) [8P-230HS-W](#) [BP601012M-W](#)
[BP1202524H-W](#) [BP802512H-03-W](#) [4E-230S-17-T](#) [4C-230HB-W](#) [BP1202512H-W](#) [12P-230HB-T](#) [BP922524H-W](#) [SP802512H-03-W](#)
[BP402012H-W](#) [SP402012M-W](#) [BP401005H-W](#) [BP401012M-W](#) [BP402024H-W](#) [BP802524HL-03](#) [BP402024M-W](#) [BP922524M-W](#) [5E-](#)
[230B-W](#) [SP802524H-03-W](#) [5E-DVB-1-W](#) [BP602524H-03-W](#)