

**INDEX**

<b>Caliper</b>	
SuperCaliper	126
ABSOLUTE Solar Caliper	127
ABSOLUTE Coolant Proof Caliper	128
ABSOLUTE Digimatic Caliper	130
Vernier Caliper	132
ABSOLUTE Digimatic & Vernier Caliper	138
Dial Caliper	140
Digimatic Carbon Fiber Caliper	141
Vernier Caliper (Nib Style Jaws)	144
Long Jaw Vernier Caliper	145
Offset Caliper	146
Offset Centerline Caliper	147
ABSOLUTE Back-Jaw Centerline Caliper	148
Point Caliper	149
Blade Type Caliper	150
Neck Caliper	151
ABSOLUTE Inside Caliper	152
Tube Thickness Caliper	154
Hook Type Vernier Caliper	155
Swivel Vernier Caliper	155
ABSOLUTE Low Force Caliper	156
ABSOLUTE Snap Caliper	156
Scribing Caliper	157
MyCAL-Lite	158
Plastic Caliper	158
<b>Height Gages</b>	
Heightmatic	159
Digimatic Height Gage	160
ABSOLUTE Digimatic Height Gage	162
Dial Height Gage	164
Vernier Height Gage	166
CERA Caliper Checker	168
Carbide-tipped Scriber	169
Optional Accessories	169
<b>Linear Height</b>	
Linear Height	170
QM-Height	172
<b>Depth Gages</b>	
Depth Micrometer	174
Depth Gage	175
Depth Micro Checker	175
ABSOLUTE Digimatic Depth Gage	176
Vernier Depth Gage	177
Dial Depth Gage	178
Extension Bases	179
Depth Base Attachment	179
ABSOLUTE Digimatic/Dial Depth Gage	180
Tire Thread Depth Gage	182



**Digimatic Caliper**



**Digimatic Height Gages**



**Linear Height**



**Depth Gages**



**New Products**



**SuperCaliper**



**ABSOLUTE Coolant Proof Caliper**



**ABSOLUTE Digimatic Caliper**



**ABSOLUTE Digimatic Offset Caliper**



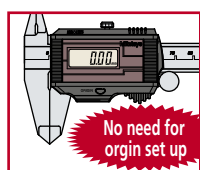
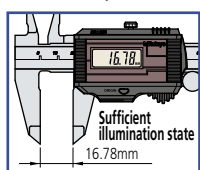
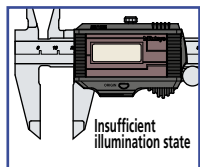
**ABSOLUTE Digital Height Gage**

# SuperCaliper

**SERIES 500 — No battery or origin reset needed for IP67 digital caliper**

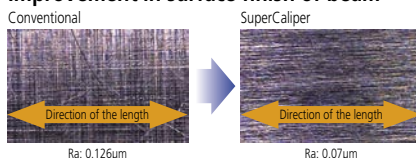
## FEATURES

- With no annoying origin restoration necessary, a measurement can be started any time and there is no restriction on operating speed.



- World's unique\* solar-powered SuperCaliper that is eco-friendly with no battery  
\*According to Mitutoyo research in January, 2005
- The impact resistance of the display unit has been increased for improved usability in workshop conditions.
- IP67 protection assures waterproof reliability.
- This SuperCaliper uses components that do not contain harmful substances and is compatible with RoHS Directives.

### Improvement in surface finish of beam

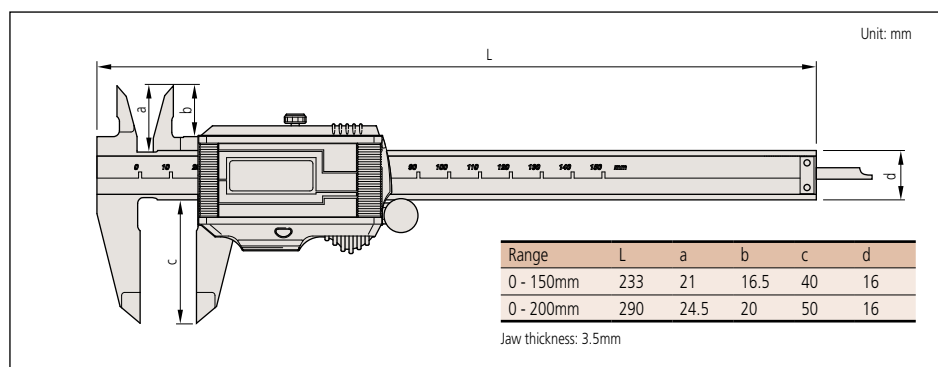


## SPECIFICATIONS

Metric		
Range	Order No.	Remarks
0 - 150mm	<b>500-776</b>	with data output
0 - 150mm	<b>500-774</b>	w/o data output
0 - 200mm	<b>500-777</b>	with data output
0 - 200mm	<b>500-775</b>	w/o data output

Inch/Metric		
Range	Order No.	Remarks
0 - 6"	<b>500-786</b>	with data output
0 - 6"	<b>500-784</b>	w/o data output
0 - 8"	<b>500-787</b>	with data output
0 - 8"	<b>500-785</b>	w/o data output

## DIMENSION



(Refer to the page 9 for details.)



(Refer to the page 9 for details.)

## Technical Data

- Accuracy:  $\pm 0.02$ mm (excluding quantizing error)
- Resolution: 0.01mm or .0005"/0.01mm
- Repeatability: 0.01mm
- Display: LCD
- Length standard: ABSOLUTE electromagnetic induction linear encoder
- Max. response speed: Unlimited
- Battery: Solar battery\*
- Dust/Water protection level: IP67
- \*Can be used continuously above 60lux ambient illumination.

## Function

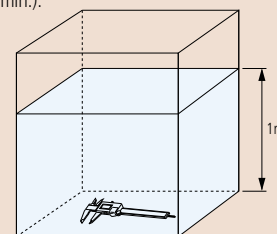
- Origin-set, inch/mm conversion (inch/mm models)
- Alarm: Counting value composition error

## Optional Accessory

- 05CZA624:** SPC cable with data switch (1m)
- 05CZA625:** SPC cable with data switch (2m)

## IP67 protection level

- Level 6: Dust-tight  
No ingress of dust.
- Level 7: Protected against the effects of temporary immersion in water.  
Ingress of water in quantities causing harmful effects shall not be possible when the enclosure is temporarily immersed 1 meter in water under standardized conditions of pressure and time (30 min.).



## About the charge function (SuperCaliper)

The minimum illumination required in the uncharged state is 60lux. As shown in the table 'JIS Z 9110 Artificial Illumination Intensity Standard', this SuperCaliper can be used without problems in a normal work environment.

The charge function allows the operator to use this SuperCaliper without interrupting work even if the ambient illumination is temporarily insufficient.

- In the fully charged state this SuperCaliper can operate for approximately an hour in an environment of 50lux illumination (less than the minimum necessary illumination intensity).
- The time necessary for full charge differs, depending on the charging conditions. If this SuperCaliper is left unused in an illumination of 500 lux (usual for manufacturing environments), it takes approximately one hour to reach full charge.



(Refer to the page 9 for details.)

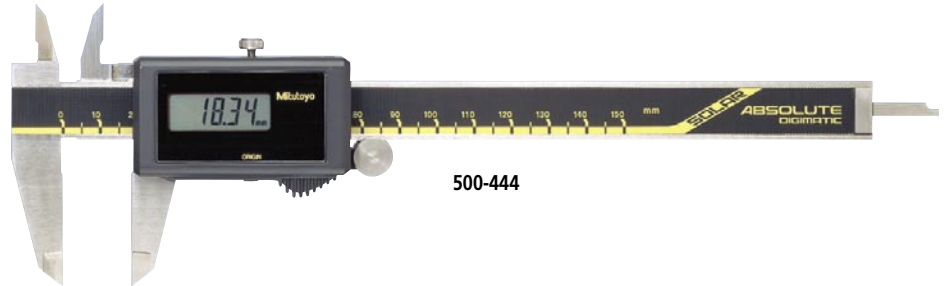
# ABSOLUTE Solar Caliper

**SERIES 500 — No battery or origin reset needed**

Mitutoyo's Absolute Solar Digimatic Caliper retains its origin point even the display turns off for the entire life of the caliper. At 60 Lux and up the ABSOLUTE solar caliper is turned on ready to start measurement.

## FEATURES

- No more repeated zero setting caused by the shortage of light intensity.
- Hard-coated solar panel for safe operation.
- No fear for overspeed errors.



500-444

## Technical Data

Accuracy:  $\pm 0.02\text{mm}$  (excluding quantizing error)  
 Resolution: 0.01mm or .0005"/0.01mm  
 Repeatability: 0.01mm  
 Display: LCD  
 Length standard: ABSOLUTE electrostatic capacitance type linear encoder  
 Max. response speed: Unlimited  
 Battery: Solar battery\*  
 \*Can be used continuously above 60lux ambient illumination.

## Function

Origin-set, Data hold, Data output, inch/mm conversion (inch/mm models)  
 Alarm: Counting value composition error

## Optional Accessory

- 959143: Data hold unit
- 959149: SPC cable with data switch (1m)
- 959150: SPC cable with data switch (2m)

## SPECIFICATIONS

Metric			
Range	Order No.	Remarks (depth measuring bar / thumb roller)	
0 - 100mm	500-443	$\varnothing 1.9\text{mm}$ rod	with thumb roller
0 - 100mm	500-453*	$\varnothing 1.9\text{mm}$ rod	with thumb roller
0 - 150mm	500-444	Blade	with thumb roller
0 - 150mm	500-454*	Blade	with thumb roller
0 - 200mm	500-445	Blade	with thumb roller
0 - 200mm	500-455*	Blade	with thumb roller

\*without SPC data output

Inch/Metric			
Range	Order No.	Remarks (depth measuring bar / thumb roller)	
0 - 4"	500-463	$\varnothing 3/40"$ rod	with thumb roller
0 - 4"	500-473*	$\varnothing 3/40"$ rod	with thumb roller
0 - 6"	500-464	Blade	with thumb roller
0 - 6"	500-474*	Blade	with thumb roller
0 - 8"	500-465	Blade	with thumb roller
0 - 8"	500-475*	Blade	with thumb roller

\*without SPC data output

## DIMENSION

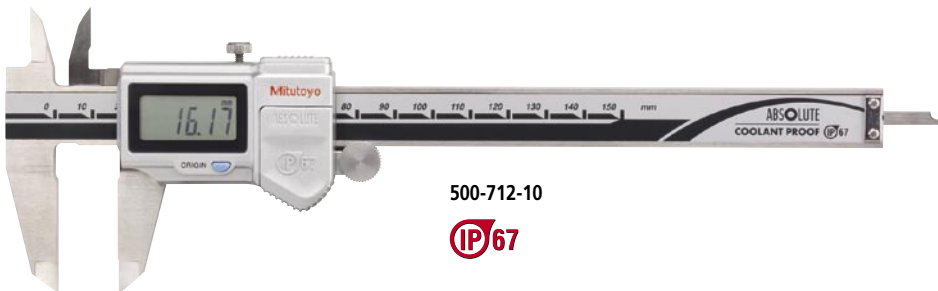
Range	L	a	b	c
0 - 100mm	182	40	21	16.5
0 - 150mm	233	40	21	16.5
0 - 200mm	290	50	24.5	20

# ABSOLUTE Coolant Proof Caliper

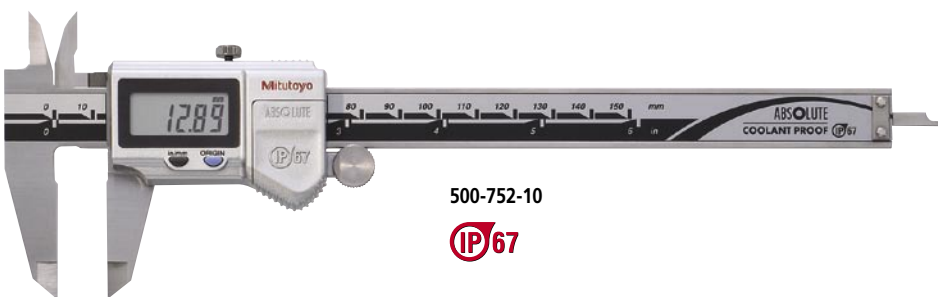
SERIES 500 — with Dust/Water Protection Conforming to IP67 Level

## FEATURES

- Can be used in workshop conditions exposed to coolant, water, dust or oil.
- Easy to use - no need to wipe or clean the scale.
- Advanced design styling.
- Incorporates absolute measurement system.
- Automatic power-on/off.
- Data output function.



500-712-10



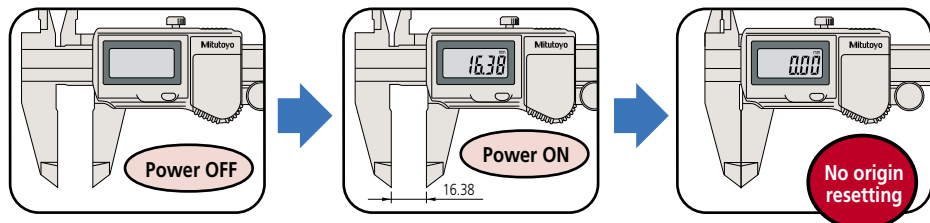
500-752-10



500-763-10



Built-in ABS (absolute) scale means that these calipers are ready to use immediately after power-on without origin resetting. It's as easy as vernier caliper measurements.



## Certificate of inspection

CERTIFICATE OF INSPECTION / CERTIFICAT DE CONTROLE		Inspection result/Résultats (GRY/P)		
Product name/Désignation	Digital Caliper/Échelle à lecture numérique	Measuring length/Position de mesure	Permissible values/Erreur admissible	Instrumental error/Erreur Instrumentale
Model No./Modèle	CO-1510	0.4	+0.01 -0.03	—
Code No./Référence	500-612	0	0.00	-0.01
Serial No./No. de série	03415811	50	0.00	0.01
Measuring range/Échelle de mesure	0-150mm	100	-0.01	0.00
Minimum resolution/Résolution	0.01mm	150	-0.01	0.00
Standard Temperature / Température de Référence	20°C	200	+0.008 -0.015	—
QC Manager/Responsable Qualité Contrôle	<i>(Signature)</i>	0.16	—	—
Inspection standard / Mitutoyo standard		0	—	—
Based on / JIS B 7507:1993 CN052:1995		2	—	—
Traceable to / MANUFACTURED BY: JIS B 7507:1993/1995 via 62-10583M-03		4	±0.0010	—
PTB via 3795/PTB 02-4340/PTB 03		6	—	—
		8	—	—
		Unit:mm	—	—
		Unit:inch	—	—
Mitutoyo Corporation	Overall Judgment: Passed/Passed/Conformité: conforme			

Measurement data output function is available with a water-resistant SPC cable.



(Refer to the page 9 for details.)



(Refer to the page 9 for details.)



(Refer to the page 9 for details.)

## Technical Data

- Accuracy: ±0.02mm (≤200mm), ±0.03mm (>200mm) (excluding quantizing error)
- Resolution: 0.01mm or .0005"/0.01mm
- Repeatability: 0.01mm
- Display: LCD
- Length standard: ABSOLUTE electromagnetic induction linear encoder
- Max. response speed: Unlimited
- Battery: SR44 (1 pc.), **938882**
- Battery life: Approx. 3 years under normal use (1 year: over 300mm models)
- Dust/Water protection level: IP67

## Function

- Origin-set, Zero-setting, Automatic power on/off, Data output, inch/mm conversion (inch/mm models)
- Alarm: Low voltage, Counting value composition error

## Optional Accessory

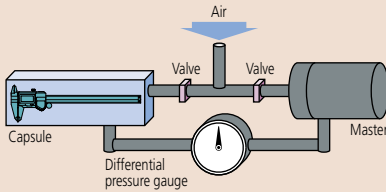
- 05CZA624**: SPC cable with data switch (1m)
- 05CZA625**: SPC cable with data switch (2m)



05CZA624

## Air leakage detection system used for water-proof testing

Generally, air leakage tests are performed to evaluate water resistance. Testing begins by placing a measuring tool into the capsule. Next, air with equivalent pressure is supplied to the capsule and the master, then the valves are closed. If none of the air in the capsule seeps into the measuring tool, it will create an air pressure difference in the amount indicated by the differential pressure gauge. Thus, detection of air pressure differences is used as a criterion for judging leakage. Every single unit of the ABS Coolant Proof calipers and Coolant Proof micrometer is tested this way for air leakage to help ensure product quality.



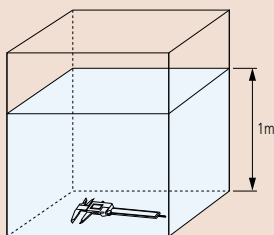
## IP66 protection level

- Level 6: Dust-tight  
No ingress of dust.
- Level 6: Protected against powerful water jet.  
Water projected in powerful jets\* against the enclosure from any direction shall have no harmful effects.  
\*Size of direct jets: uses 12.5 mm (inner diameter) nozzle emitting a 100 kPa jet of water at 100 liters per minute for at least 3 minutes from a distance of approx. 3 meters.



## IP67 protection level

- Level 6: Dust-tight  
No ingress of dust.
- Level 7: Protected against the effects of temporary immersion in water.  
Ingress of water in quantities causing harmful effects shall not be possible when the enclosure is temporarily immersed 1 meter in water under standardized conditions of pressure and time (30 min.).



## SPECIFICATIONS

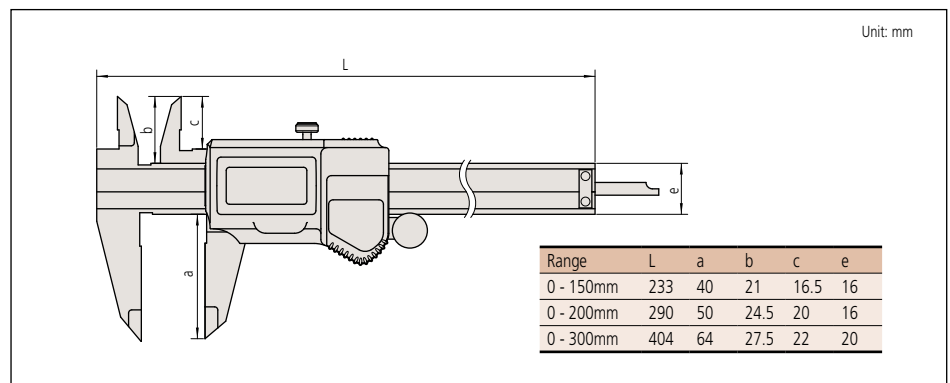
Metric				
Range	Order No.	Remarks (depth measuring bar / thumb roller / others)		
0 - 150mm	500-702-10*	Blade	with thumb roller	—
0 - 150mm	500-712-10	Blade	with thumb roller	—
0 - 150mm	500-706-11*	Blade	—	—
0 - 150mm	500-716-11	Blade	—	—
0 - 150mm	500-709-11*	ø1.9mm rod	—	—
0 - 150mm	500-719-10	ø1.9mm rod	with thumb roller	—
0 - 150mm	500-721-10	Blade	with thumb roller	Carbide-tipped jaws for ID measurement
0 - 150mm	500-723-10	Blade	with thumb roller	Carbide-tipped jaws for OD & ID measurement
0 - 150mm	500-727-11	Blade	—	Carbide-tipped jaws for OD & ID measurement
0 - 200mm	500-703-10*	Blade	with thumb roller	—
0 - 200mm	500-713-10	Blade	with thumb roller	—
0 - 200mm	500-707-11*	Blade	—	—
0 - 200mm	500-717-11	Blade	—	—
0 - 200mm	500-722-10	Blade	with thumb roller	Carbide-tipped jaws for ID measurement
0 - 200mm	500-724-10	Blade	with thumb roller	Carbide-tipped jaws for OD & ID measurement
0 - 200mm	500-728-11	—	—	Carbide-tipped jaws for OD & ID measurement
0 - 300mm	500-714-10	—	with thumb roller	—
0 - 300mm	500-718-11	—	—	—
0 - 300mm	500-704-10*	—	with thumb roller	—
0 - 300mm	500-708-11*	—	—	—

\*without SPC data output

Inch/Metric				
Range	Order No.	Remarks (depth measuring bar / thumb roller / others)		
0 - 6"	500-752-10*	Blade	with thumb roller	—
0 - 6"	500-762-10	Blade	with thumb roller	—
0 - 6"	500-768-10*	ø3/40" rod	with thumb roller	—
0 - 6"	500-769-10	ø3/40" rod	with thumb roller	—
0 - 6"	500-731-10*	Blade	with thumb roller	Carbide-tipped jaws for ID measurement
0 - 6"	500-735-10	Blade	with thumb roller	Carbide-tipped jaws for ID measurement
0 - 6"	500-733-10*	Blade	with thumb roller	Carbide-tipped jaws for OD & ID measurement
0 - 6"	500-737-10	Blade	with thumb roller	Carbide-tipped jaws for OD & ID measurement
0 - 8"	500-753-10*	Blade	with thumb roller	—
0 - 8"	500-763-10	Blade	with thumb roller	—
0 - 8"	500-732-10*	Blade	with thumb roller	Carbide-tipped jaws for ID measurement
0 - 8"	500-736-10	Blade	with thumb roller	Carbide-tipped jaws for ID measurement
0 - 8"	500-734-10*	Blade	with thumb roller	Carbide-tipped jaws for OD & ID measurement
0 - 8"	500-738-10	Blade	with thumb roller	Carbide-tipped jaws for OD & ID measurement
0 - 12"	500-764-10	—	with thumb roller	—
0 - 12"	500-754-10*	—	with thumb roller	—

\*without SPC data output

## DIMENSION



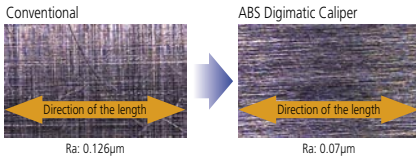


# ABSOLUTE Digimatic Caliper

## SERIES 500 — with Exclusive ABSOLUTE Encoder Technology

Mitutoyo's absolute Digimatic Caliper is the next generation of electronic calipers. It keeps track of its origin point once set. Whenever turned on, the large LCD screen displays the actual slider position ready to start measurement. No more repeated zero setting is necessary with the absolute encoder technology as well as no more care for overspeed errors.

### High quality guide surface finish for smooth slider movement

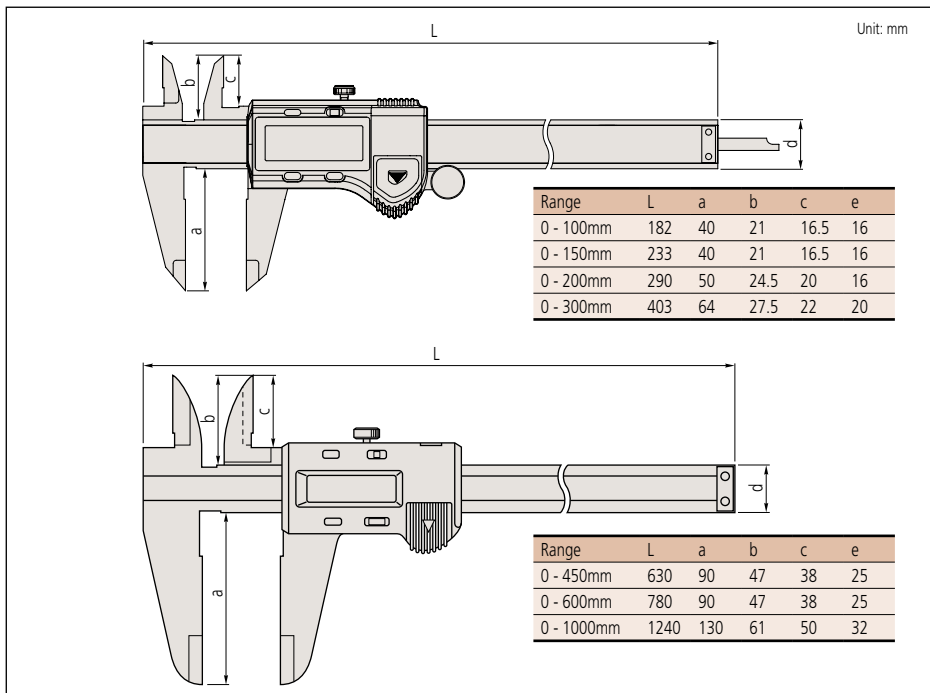


### FEATURES

- Large and clear LCD readout.
- The ZERO/ABS key allows the display to be Zero-Set at any slider position along the scale for incremental comparison measurements. This switch will also allow return to the absolute (ABS) coordinate and display of the true position from the origin point (usually jaws-closed point).
- Data Hold Unit (959143) is optional.
- Carbide-tipped jaw type calipers are also available.



### DIMENSION



(Refer to the page 9 for details.)



(Refer to the page 9 for details.)

### Technical Data

Accuracy:  $\pm 0.02\text{mm}$  ( $\leq 200\text{mm}$ ),  $\pm 0.03\text{mm}$  ( $\leq 300\text{mm}$ )  
 $\pm 0.05\text{mm}$  ( $\leq 600\text{mm}$ ),  $\pm 0.07\text{mm}$  ( $\leq 1000\text{mm}$ )  
 (excluding quantizing error)  
 Resolution: 0.01mm or .0005"/0.01mm  
 Repeatability: 0.01mm  
 Display: LCD  
 Length standard: ABSOLUTE electrostatic capacitance type linear encoder  
 Max. response speed: Unlimited  
 Battery: SR44 (1 pc.), **938882**  
 Battery life: Approx. 3.5 years under normal use

### Function

Origin-set, Zero-setting, Data output, inch/mm conversion (inch/mm models)  
 Alarm: Low voltage, Counting value composition error

### Optional Accessory

- 959143:** Data hold unit
- 959149:** SPC cable with data switch (1m)
- 959150:** SPC cable with data switch (2m)

**959143**



**959149**

## SPECIFICATIONS

### Metric

Range	Order No.	Remarks (depth measuring bar / thumb roller / others)		
0 - 100mm	<b>500-150-20</b>	ø1.9mm rod	with thumb roller	—
0 - 100mm	<b>500-180-20*</b>	ø1.9mm rod	—	—
0 - 150mm	<b>500-151-20</b>	Blade	with thumb roller	—
0 - 150mm	<b>500-154-20</b>	Blade	with thumb roller	Carbide-tipped jaws for OD measurement
0 - 150mm	<b>500-155-20</b>	Blade	with thumb roller	Carbide-tipped jaws for OD & ID measurement
0 - 150mm	<b>500-158-20</b>	ø1.9mm rod	with thumb roller	—
0 - 150mm	<b>500-181-20*</b>	Blade	—	—
0 - 200mm	<b>500-152-20</b>	Blade	with thumb roller	—
0 - 200mm	<b>500-156-20</b>	Blade	with thumb roller	Carbide-tipped jaws for OD measurement
0 - 200mm	<b>500-157-20</b>	Blade	with thumb roller	Carbide-tipped jaws for OD & ID measurement
0 - 200mm	<b>500-182-20*</b>	Blade	—	—
0 - 300mm	<b>500-153</b>	Blade	with thumb roller	—
0 - 450mm	<b>500-500-10</b>	—	—	—
0 - 600mm	<b>500-501-10</b>	—	—	—
0 - 1000mm	<b>500-502-10</b>	—	—	—

\*without SPC data output

### Inch/Metric

Range	Order No.	Remarks (depth measuring bar / thumb roller / others)		
0 - 4"	<b>500-170-20</b>	ø3/40" rod	with thumb roller	—
0 - 4"	<b>500-195-20*</b>	ø3/40" rod	with thumb roller	—
0 - 6"	<b>500-171-20</b>	Blade	with thumb roller	—
0 - 6"	<b>500-174-20</b>	Blade	with thumb roller	Carbide-tipped jaws for OD measurement
0 - 6"	<b>500-175-20</b>	Blade	with thumb roller	Carbide-tipped jaws for OD & ID measurement
0 - 6"	<b>500-178-20</b>	ø3/40" rod	with thumb roller	—
0 - 6"	<b>500-196-20*</b>	Blade	with thumb roller	—
0 - 6"	<b>500-159-20*</b>	Blade	with thumb roller	Carbide-tipped jaws for OD measurement
0 - 6"	<b>500-160-20*</b>	Blade	with thumb roller	Carbide-tipped jaws for OD & ID measurement
0 - 8"	<b>500-172-20</b>	Blade	with thumb roller	—
0 - 8"	<b>500-176-20</b>	Blade	with thumb roller	Carbide-tipped jaws for OD measurement
0 - 8"	<b>500-177-20</b>	Blade	with thumb roller	Carbide-tipped jaws for OD & ID measurement
0 - 8"	<b>500-197-20*</b>	Blade	with thumb roller	—
0 - 8"	<b>500-163-20*</b>	Blade	with thumb roller	Carbide-tipped jaws for OD measurement
0 - 8"	<b>500-164-20*</b>	Blade	with thumb roller	Carbide-tipped jaws for OD & ID measurement
0 - 12"	<b>500-173</b>	Blade	with thumb roller	—
0 - 12"	<b>500-167</b>	Blade	with thumb roller	Carbide-tipped jaws for OD measurement
0 - 12"	<b>500-168</b>	Blade	with thumb roller	Carbide-tipped jaws for OD & ID measurement
0 - 12"	<b>500-193*</b>	Blade	with thumb roller	—
0 - 12"	<b>500-165*</b>	Blade	—	Carbide-tipped jaws for OD measurement
0 - 12"	<b>500-166*</b>	Blade	—	Carbide-tipped jaws for OD & ID measurement
0 - 18"	<b>500-505-10</b>	—	with thumb roller	—
0 - 24"	<b>500-506-10</b>	—	with thumb roller	—
0 - 40"	<b>500-507-10</b>	—	with thumb roller	—

\*without SPC data output

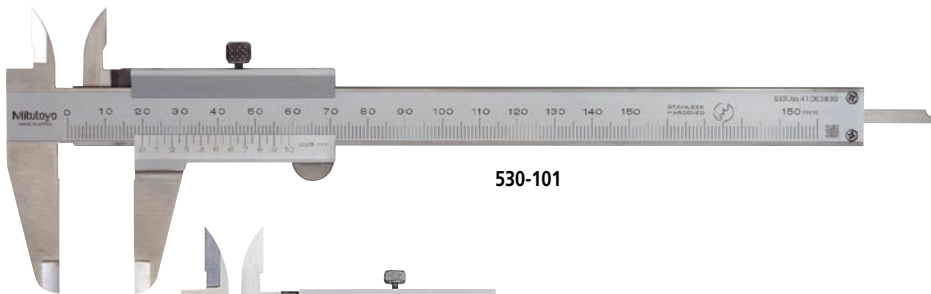
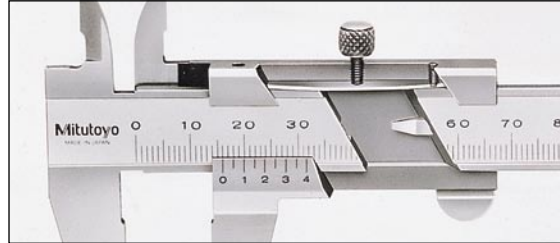
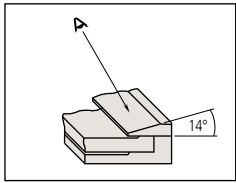


# Vernier Caliper

## SERIES 530 — Standard model

### FEATURES

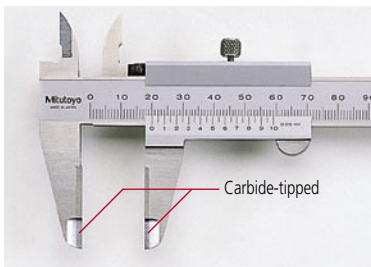
- Plain and basic design.
- Can measure OD (outside diameter), ID (inside diameter), depth, and steps.
- The small vernier face angle (14°) provides easy reading.
- Different reading scales on vernier. (metric/inch and inch models only)
- Clamping screw atop the slider.
- Carbide-tipped jaw type calipers are also available.



530-101

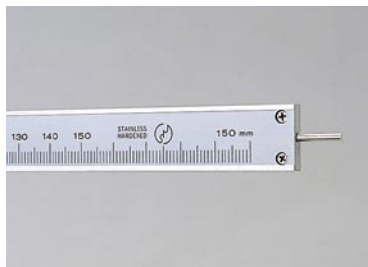


530-109



Carbide-tipped

Carbide-tipped jaw type

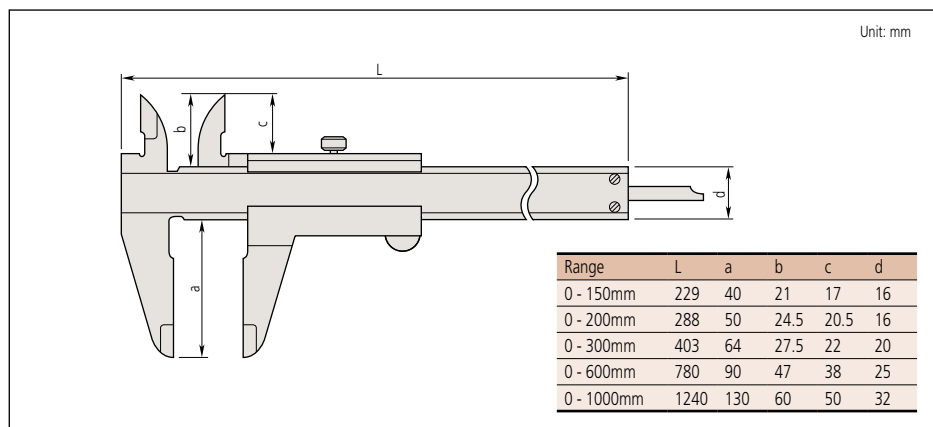


Round depth bar type

### Technical Data

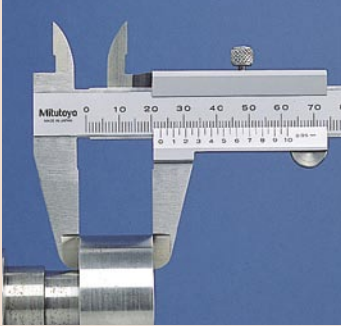
Accuracy:  $\pm 0.05\text{mm}$  ( $\leq 200\text{mm}$ ),  $\pm 0.08\text{mm}$  ( $\leq 300\text{mm}$ )  
 $\pm 0.10\text{mm}$  ( $\leq 600\text{mm}$ ),  $\pm 0.15\text{mm}$  ( $\leq 1000\text{mm}$ )  
 High accuracy type:  
 $\pm 0.03\text{mm}$  ( $\leq 200\text{mm}$ ),  $\pm 0.04\text{mm}$  ( $\leq 300\text{mm}$ )  
 Graduation: 0.05mm, 0.05mm (1/128") or .001" (1/128")  
 High accuracy type:  
 0.02mm or 0.02mm (.001")

### DIMENSION

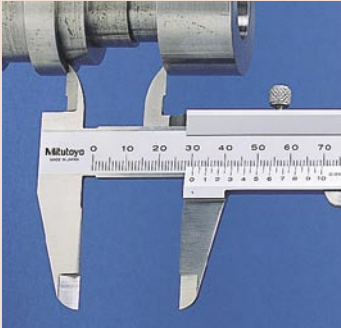




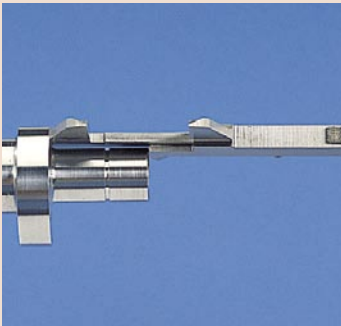
## Measurement Applications



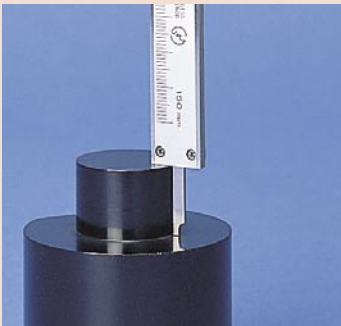
OD measurement



ID measurement



Step measurement



Depth measurement

## SPECIFICATIONS

### Metric

Range	Order No.	Remarks (depth measuring bar / second scale graduation / others)		
0 - 150mm	<b>530-102</b>	ø1.9mm rod	—	—
0 - 150mm	<b>530-101</b>	Blade	—	—
0 - 150mm	<b>530-320</b>	Blade	—	Carbide-tipped jaws for OD measurement
0 - 150mm	<b>530-335</b>	Blade	—	Carbide-tipped jaws for OD & ID measurement
0 - 150mm	<b>530-319</b>	Blade	—	Clamping screw below the slider
0 - 150mm	<b>530-122*</b>	Blade	—	High accuracy model: ±0.03mm
0 - 200mm	<b>530-108</b>	Blade	—	—
0 - 200mm	<b>530-321</b>	Blade	—	Carbide-tipped jaws for OD measurement
0 - 200mm	<b>530-123*</b>	Blade	—	High accuracy model: ±0.03mm
0 - 300mm	<b>530-109</b>	Blade	—	—
0 - 300mm	<b>530-322</b>	Blade	—	Carbide-tipped jaws for OD measurement
0 - 300mm	<b>530-124*</b>	Blade	—	High accuracy model: ±0.04mm
0 - 600mm	<b>530-501</b>	—	—	—
0 - 1000mm	<b>530-502</b>	—	—	—

\*Graduation: 0.02mm

### Metric/Inch

with metric/inch double scale

Range	Order No.	Remarks (depth measuring bar / second scale graduation / others)		
0 - 150mm	<b>530-104</b>	Blade	1/128"	—
0 - 150mm	<b>530-316</b>	Blade	1/128"	Clamping screw below the slider
0 - 150mm	<b>530-125</b>	Blade	1/128"	—
0 - 150mm	<b>530-312*</b>	Blade	.001"	High accuracy model: ±0.03mm
0 - 200mm	<b>530-114</b>	Blade	1/128"	—
0 - 200mm	<b>530-118*</b>	Blade	.001"	High accuracy model: ±0.03mm
0 - 300mm	<b>530-115</b>	Blade	1/128"	—
0 - 300mm	<b>530-119*</b>	Blade	.001"	High accuracy model: ±0.04mm

\*Graduation: 0.02mm

### Inch

with inch/inch double scale

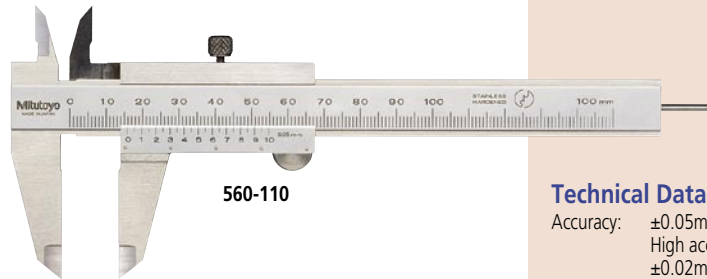
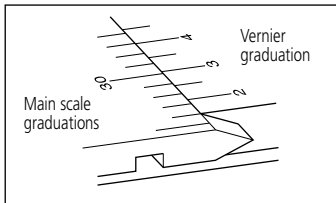
Range	Order No.	Remarks (depth measuring bar / second scale graduation / others)		
0 - 6"	<b>530-105</b>	Blade	1/128"	—
0 - 6"	<b>530-314</b>	Blade	1/128"	Carbide-tipped jaws for OD measurement
0 - 8"	<b>530-116</b>	Blade	1/128"	—

# Vernier Caliper

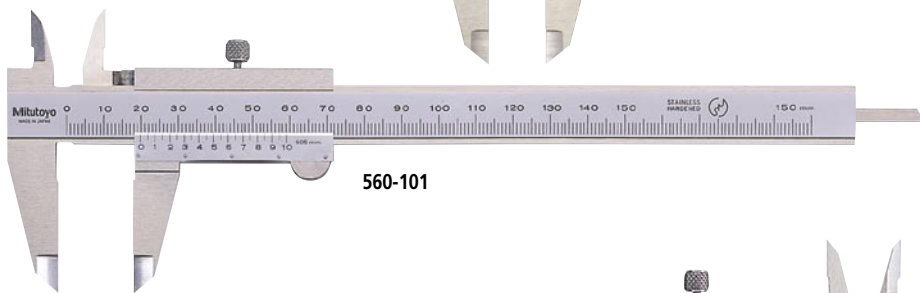
**SERIES 560, 536 — Parallax-Free Type**

## FEATURES

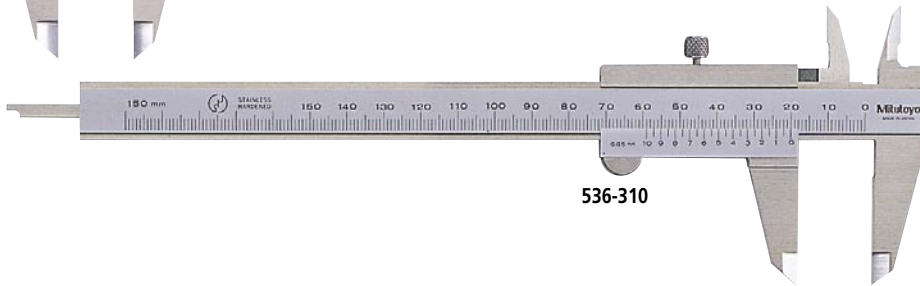
- Parallax-free vernier scales for easy and positive measurement.
- Can measure OD, ID, depth, and steps.
- With clamping screw atop the slider.
- Special model (Series 536) is also available designed for left-handers.



560-110



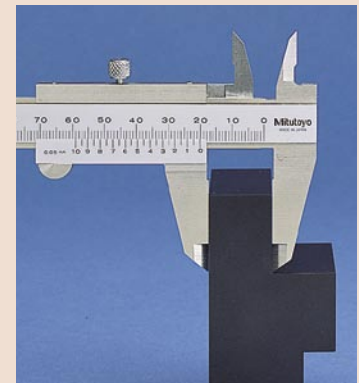
560-101



536-310

## Technical Data

Accuracy:  $\pm 0.05\text{mm}$  ( $\leq 200\text{mm}$ ),  $\pm 0.08\text{mm}$  ( $\leq 300\text{mm}$ )  
 High accuracy type:  
 $\pm 0.02\text{mm}$  ( $\leq 150\text{mm}$ ),  $\pm 0.03\text{mm}$  ( $\leq 200\text{mm}$ )  
 Graduation:  $0.05\text{mm}$  or  $0.05\text{mm}$  (1/128")  
 High accuracy type:  
 $0.02\text{mm}$  or  $0.02\text{mm}$  (.001")



## SPECIFICATIONS

### Metric

Range	Order No.	Remarks (depth measuring bar / second scale graduation / others)
0 - 100mm	560-110	$\phi 1.9\text{mm}$ rod — —
0 - 150mm	560-101	Blade — —
0 - 150mm	536-310	Blade — Left-handed type
0 - 150mm	560-122*	Blade — High accuracy model: $\pm 0.03\text{mm}$
0 - 200mm	560-108	Blade — —
0 - 300mm	560-109	Blade — —

\*Graduation: 0.02mm

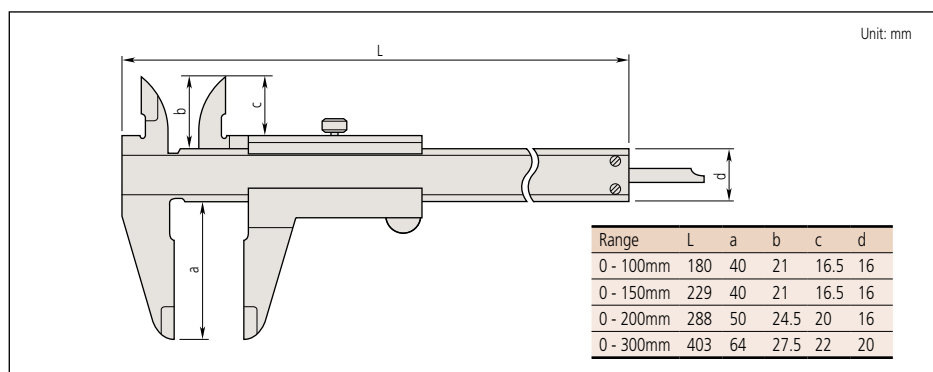
### Metric/Inch

with metric/inch double scale

Range	Order No.	Remarks (depth measuring bar / second scale graduation / others)
0 - 100mm	560-104	Blade 1/128" —
0 - 200mm	560-118*	Blade .001" High accuracy model: $\pm 0.03\text{mm}$

\*Graduation: 0.02mm

## DIMENSION



Unit: mm

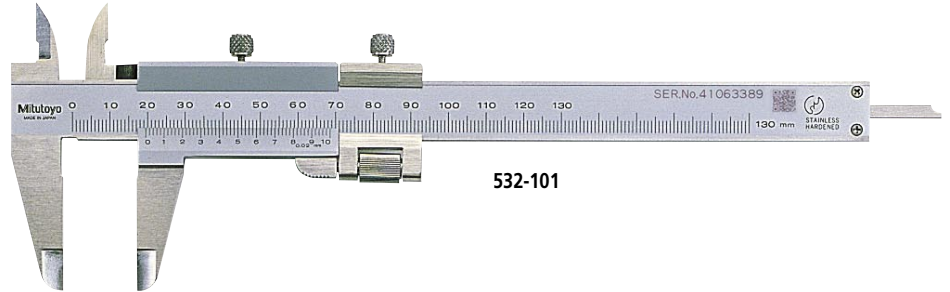
Range	L	a	b	c	d
0 - 100mm	180	40	21	16.5	16
0 - 150mm	229	40	21	16.5	16
0 - 200mm	288	50	24.5	20	16
0 - 300mm	403	64	27.5	22	20

# Vernier Caliper

## SERIES 532 — with Fine Adjustment

### FEATURES

- Provided with a fine-adjustment carriage to feed the slider finely.
- Can measure OD, ID, depth, and steps.



### Technical Data

Accuracy:  $\pm 0.03\text{mm}$  ( $\leq 180\text{mm}$ ),  $\pm 0.04\text{mm}$  ( $\leq 280\text{mm}$ )  
 Graduation: 0.02mm, 0.02mm (.001") or .001" (1/128")

### SPECIFICATIONS

#### Metric

Range	Order No.	Remarks (depth measuring bar / second scale graduation / others)
0 - 130mm	<b>532-101</b>	Blade — with fine adjustment carriage
0 - 180mm	<b>532-102</b>	Blade — with fine adjustment carriage
0 - 280mm	<b>532-103</b>	Blade — with fine adjustment carriage

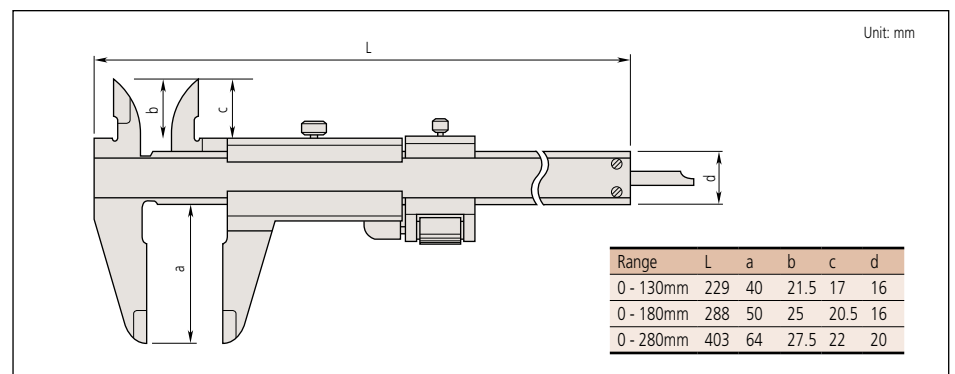
#### Metric/Inch with metric/inch double scale

Range	Order No.	Remarks (depth measuring bar / second scale graduation / others)
0 - 130mm	<b>532-119</b>	Blade .001" with fine adjustment carriage
0 - 180mm	<b>532-120</b>	Blade .001" with fine adjustment carriage
0 - 280mm	<b>532-121</b>	Blade .001" with fine adjustment carriage

#### Inch with inch/inch double scale

Range	Order No.	Remarks (depth measuring bar / second scale graduation / others)
0 - 5"	<b>532-104</b>	Blade 1/128" with fine adjustment carriage
0 - 7"	<b>532-105</b>	Blade 1/128" with fine adjustment carriage
0 - 11"	<b>532-106</b>	Blade 1/128" with fine adjustment carriage

### DIMENSION

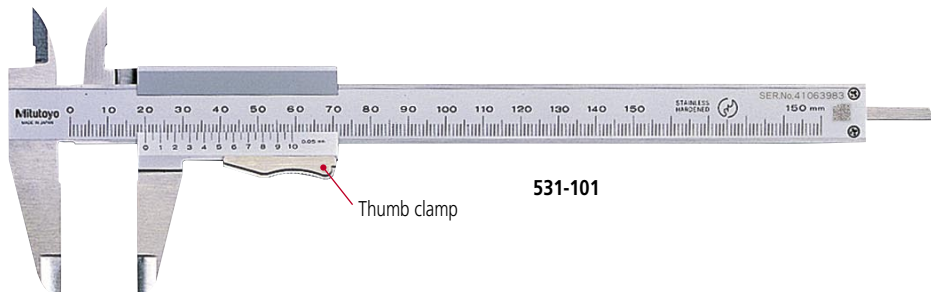


# Vernier Caliper

## SERIES 531 — with Thumb Clamp

### FEATURES

- The slider moves only when the spindle loaded thumb clamp is depressed.
- Can measure OD, ID, depth, and steps.



531-101

Thumb clamp

### Technical Data

Accuracy: Refer to the list of specifications.  
 Graduation: 0.05mm, 0.05mm (1/128") or .001" (1/128")  
 High accuracy type:  
 0.02mm or 0.02mm (.001")

### SPECIFICATIONS

#### Metric

Range	Order No.	Accuracy	Remarks (depth measuring bar / Second scale graduation / Others)
0 - 150mm	<b>531-101</b>	±0.05mm	Blade —
0 - 150mm	<b>531-140*</b>	±0.03mm	Blade — High accuracy model
0 - 200mm	<b>531-102</b>	±0.05mm	Blade —
0 - 200mm	<b>531-141*</b>	±0.03mm	Blade — High accuracy model
0 - 300mm	<b>531-103</b>	±0.08mm	Blade —
0 - 300mm	<b>531-142*</b>	±0.04mm	Blade — High accuracy model

\*Graduation: 0.02mm

#### Metric/Inch with metric/inch double scale

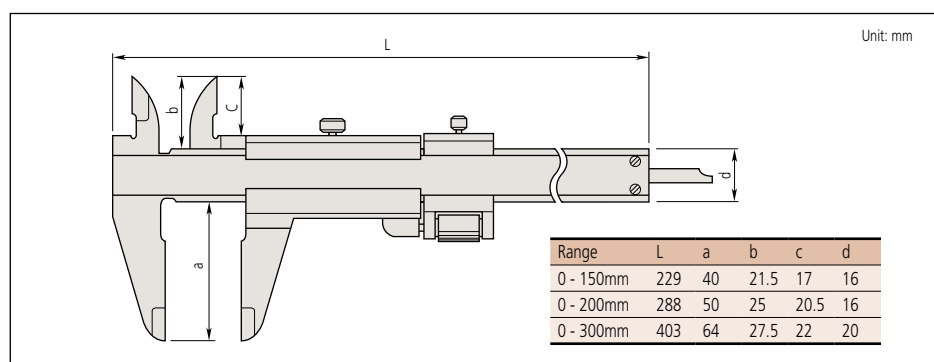
Range	Order No.	Accuracy	Remarks (depth measuring bar / Second scale graduation / Others)
0 - 150mm	<b>531-107</b>	±0.05mm	Blade 1/128" —
0 - 150mm	<b>531-122</b>	±0.05mm	Blade 1/128" with inch/mm conversion label
0 - 150mm	<b>531-128*</b>	±0.03mm	Blade .001" High accuracy model
0 - 200mm	<b>531-108</b>	±0.05mm	Blade 1/128" —
0 - 200mm	<b>531-129*</b>	±0.03mm	Blade .001" High accuracy model
0 - 300mm	<b>531-109</b>	±0.08mm	Blade 1/128" —
0 - 300mm	<b>531-112*</b>	±0.04mm	Blade .001" High accuracy model

\*Graduation: 0.02mm

#### inch with inch/inch double scale

Range	Order No.	Accuracy	Remarks (depth measuring bar / Second scale graduation / Others)
0 - 6"	<b>531-113</b>	±.0015"	Blade 1/128" —
0 - 8"	<b>531-114</b>	±.0015"	Blade 1/128" —

### DIMENSION

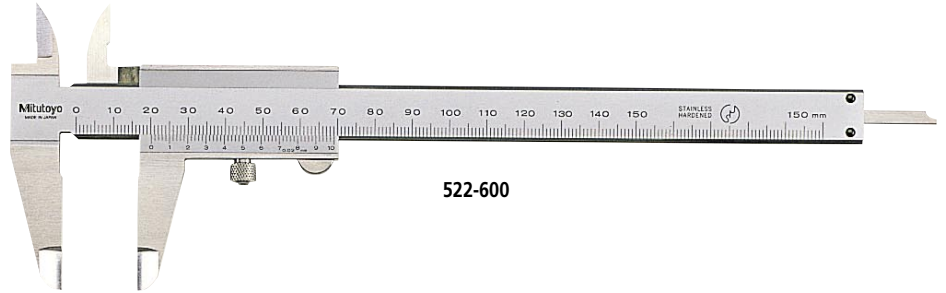
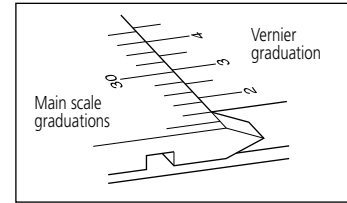


# Vernier Caliper

## SERIES 522 — Parallax-Free Type

### FEATURES

- The main and vernier scales are flush-fitted to eliminate parallax errors because of the diamond-shape (octagonal) cross section of the main scale.
- Can measure OD, ID, depth, and steps.
- With clamping screw below the slider.



### Technical Data

Accuracy: Refer to the list of specifications.  
 Graduation: 0.05mm or 0.05mm (1/128")  
 High accuracy type:  
 0.02mm or 0.02mm (.001")

### SPECIFICATIONS

#### Metric

Range	Order No.	Accuracy	Remarks (depth measuring bar / Second scale graduation / Others)		
0 - 150mm	<b>522-600</b>	±0.05mm	Blade	—	—
0 - 150mm	<b>522-606*</b>	±0.03mm	Blade	—	High accuracy model

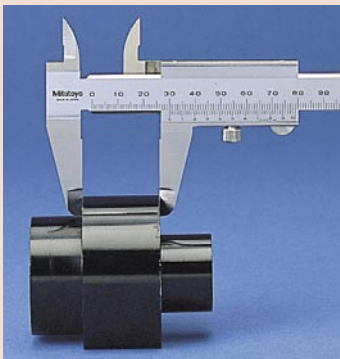
\*Graduation: 0.02mm

#### Metric/Inch

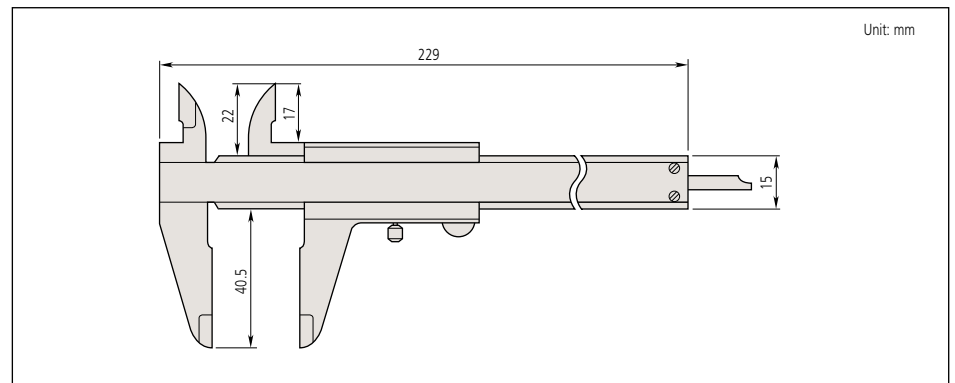
with metric/inch double scale

Range	Order No.	Accuracy	Remarks (depth measuring bar / Second scale graduation / Others)		
0 - 150mm	<b>522-601</b>	±0.05mm	Blade	1/128"	—
0 - 150mm	<b>522-602*</b>	±0.03mm	Blade	.001"	High accuracy model

\*Graduation: 0.02mm



### DIMENSION



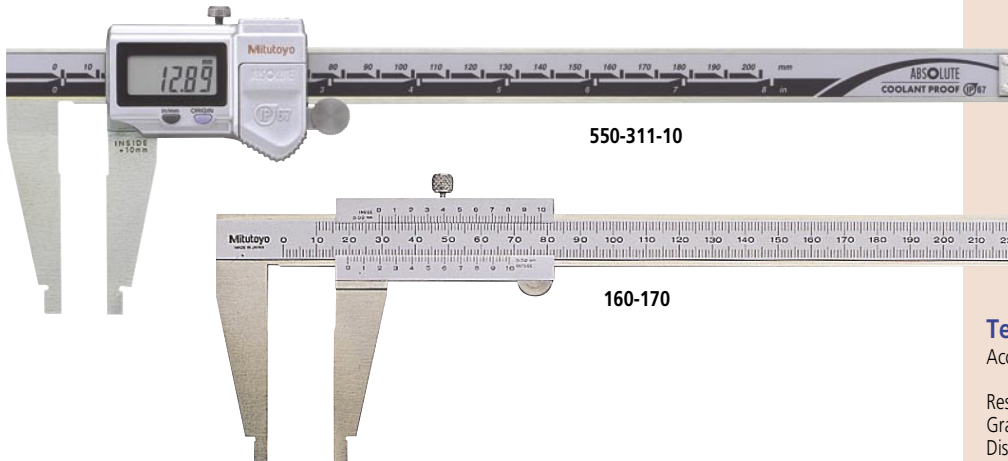
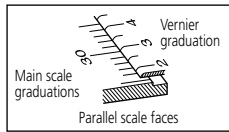


# ABSOLUTE Digimatic & Vernier Caliper

**SERIES 550, 160 — with Nib Style Jaws**

## FEATURES

- The rounded faces of the jaws are ideal for accurate ID (inside diameter) measurement.
- Inside and outside measurements can be directly read from the upper and lower slider graduations (series 160).
- With fine-adjustment carriage type is available (series 160).
- Parallax-free vernier scale type is available for easy and positive measurement (series 160).
- With SPC output (series 550).



## SPECIFICATIONS

Metric		Digital model	
Range*	Order No.	Accuracy	Remarks
0 (10) - 200mm	<b>550-301-10</b>	±0.03mm	IP67
0 (10) - 300mm	<b>550-331-10</b>	±0.04mm	IP67, with offset/preset function for easy ID measurement
0 (20) - 450mm	<b>550-203-10</b>	±0.05mm	—
0 (20) - 600mm	<b>550-205-10</b>	±0.05mm	—
0 (20) - 1000mm	<b>550-207-10</b>	±0.07mm	—

\*( ): Minimum dimension in ID measurement

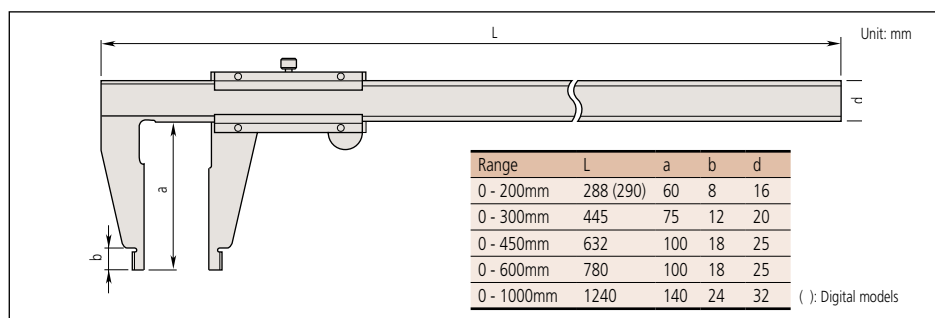
Inch/Metric		Digital model	
Range*	Order No.	Accuracy	Remarks
0 (.4") - 8"	<b>550-311-10</b>	±.0015"	IP67
0 (.4") - 12"	<b>550-341-10</b>	±.002"	IP67, with offset/preset function for easy ID measurement
0 (.5") - 18"	<b>550-223-10</b>	±.002"	—
0 (.5") - 24"	<b>550-225-10</b>	±.002"	—
0 (1") - 40"	<b>550-227-10</b>	±.003"	—

\*( ): Minimum dimension in ID measurement

Metric		with metric/metric double scale	
Range*	Order No.	Accuracy	Remarks
0 (10) - 200mm	<b>160-170</b>	±0.03mm	High accuracy model with parallax-free vernier scale (0.02mm graduation)
0 (10) - 300mm	<b>160-180</b>	±0.04mm	High accuracy model with parallax-free vernier scale (0.02mm graduation)
0 (20) - 450mm	<b>160-130</b>	±0.10mm	—
0 (20) - 600mm	<b>160-131</b>	±0.10mm	—
0 (20) - 1000mm	<b>160-132</b>	±0.15mm	—

\*( ): Minimum dimension in ID measurement

## DIMENSION



(Refer to the page 9 for details.)

## Technical Data

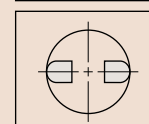
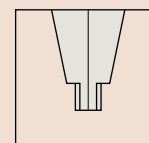
Accuracy: Refer to the list of specifications.  
(excluding quantizing error for digital models)  
Resolution\*: 0.01mm or .0005"/0.01mm  
Graduation\*\*: 0.02mm  
Display\*: LCD  
Length standard\*: ABSOLUTE electrostatic capacitance type linear encoder  
Max. response speed\*: Unlimited  
Battery\*: SR44 (1 pc.), **938882**  
Battery life\*: Approx. 3 years under normal use  
(1 year: 300mm models)  
(3.5 year: over 300mm models)  
Dust/Water protection level\*: IP67 (models up to 300mm)  
\*Digital models \*\*Analog models

## Function of Digital Model

Origin-set, Zero-setting, Data output, inch/mm conversion (inch/mm models)  
Alarm: Low voltage, Counting value composition error

## Optional Accessory for Digital Model

- 05CZA624**: SPC cable with data switch (1m)\*
  - 05CZA625**: SPC cable with data switch (2m)\*
  - 959143**: Data hold unit
  - 959149**: SPC cable with data switch (1m)
  - 959150**: SPC cable with data switch (2m)
- \*For IP67 models (up to 300mm)



Round surface of jaws for accurate CD measurement

# ABSOLUTE Digimatic & Vernier Caliper

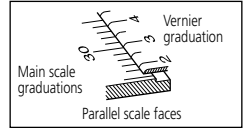
**SERIES 551, 533 — with Nib Style and Standard Jaws**



(Refer to the page 9 for details.)

## FEATURES

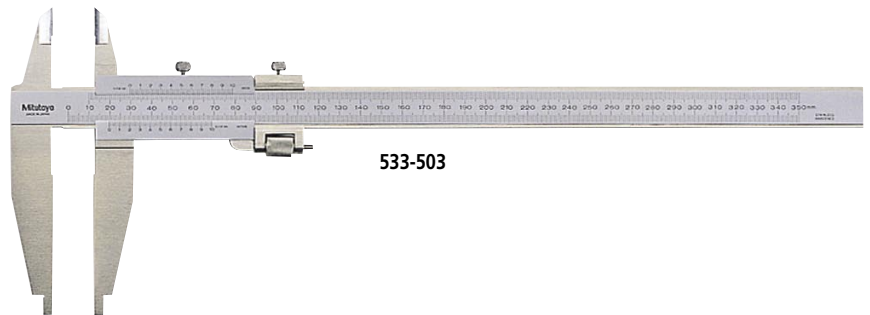
- The rounded faces of the jaws are ideal for accurate ID (inside diameter) measurement.
- Inside and outside measurements can be directly read from the upper and lower slider graduations (series 533).
- With fine-adjustment carriage type is available (series 533).
- Parallax-free vernier scale type is available for easy and positive measurement (series 533).
- With SPC output (series 551).



551-311-10



533-403



533-503

## Technical Data

Accuracy: Refer to the list of specifications.  
(excluding quantizing error for digital models)  
Resolution\*: 0.01mm or .0005"/0.01mm  
Graduation\*\*: 0.02mm or 0.05mm  
Display\*: LCD  
Length standard\*: ABSOLUTE electrostatic capacitance type linear encoder  
Max. response speed\*: Unlimited  
Battery\*: SR44 (1 pc.), **938882**  
Battery life\*: Approx. 3 years under normal use  
(1 year: 300mm models)  
(3.5 year: over 300mm models)  
Dust/Water protection level\*: IP67 (models up to 300mm)  
\*Digital models \*\*Analog models

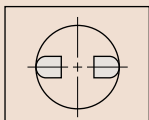
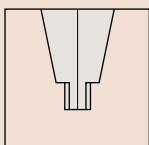
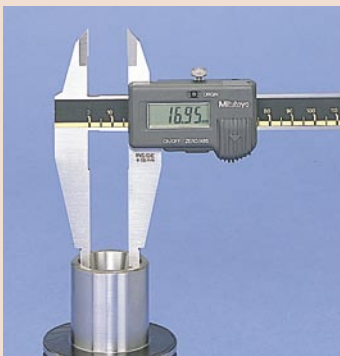
## Function of Digital Model

Origin-set, Zero-setting, Data output, inch/mm conversion (inch/mm models)  
Alarm: Low voltage, Counting value composition error

## Optional Accessory for Digital Model

- 05CZA624**: SPC cable with data switch (1m)\*
- 05CZA625**: SPC cable with data switch (2m)\*
- 959143**: Data hold unit
- 959149**: SPC cable with data switch (1m)
- 959150**: SPC cable with data switch (2m)

\*For IP67 models (up to 300mm)



Round surface of jaws for accurate CD measurement

## SPECIFICATIONS

**Metric** Digital model

Range*	Order No.	Accuracy	Remarks
0 (10) - 200mm	<b>551-301-10</b>	±0.03mm	IP67
0 (10) - 300mm	<b>551-331-10</b>	±0.04mm	IP67, with offset/preset function for easy ID measurement
0 (20) - 500mm	<b>551-204-10</b>	±0.06mm	—
0 (20) - 750mm	<b>551-206-10</b>	±0.06mm	—
0 (20) - 1000mm	<b>551-207-10</b>	±0.07mm	—

\*( ): Minimum dimension in ID measurement

**Inch/Metric** Digital model

Range*	Order No.	Accuracy	Remarks
0 (.4") - 8"	<b>551-311-10</b>	±.0015"	IP67
0 (.4") - 12"	<b>551-341-10</b>	±.002"	IP67, with offset/preset function for easy ID measurement
0 (.5") - 20"	<b>551-224-10</b>	±.0025"	—
0 (.5") - 30"	<b>551-226-10</b>	±.0025"	—
0 (1") - 40"	<b>551-227-10</b>	±.003"	—

\*( ): Minimum dimension in ID measurement

**Metric** with metric/metric double scale

Range*	Order No.	Accuracy	Remarks
0 (10) - 200mm	<b>533-401</b>	±0.05mm	with parallax-free vernier scale
0 (10) - 300mm	<b>533-403</b>	±0.08mm	with parallax-free vernier scale
0 (20) - 450mm	<b>533-404</b>	±0.10mm	—
0 (20) - 750mm	<b>533-405</b>	±0.12mm	—
0 (20) - 1000mm	<b>533-406</b>	±0.15mm	—

\*( ): Minimum dimension in ID measurement

**Metric** with metric/metric double scale and fine adjustment

Range*	Order No.	Accuracy	Remarks
0 (10) - 280mm	<b>533-503*</b>	±0.04mm	High accuracy model with parallax-free vernier scale (0.02mm graduation)
0 (20) - 500mm	<b>533-504*</b>	±0.05mm	High accuracy model with 0.02mm graduation
0 (20) - 750mm	<b>533-505*</b>	±0.06mm	High accuracy model with 0.02mm graduation
0 (20) - 1000mm	<b>533-506*</b>	±0.07mm	High accuracy model with 0.02mm graduation

\*( ): Minimum dimension in ID measurement

# Dial Caliper

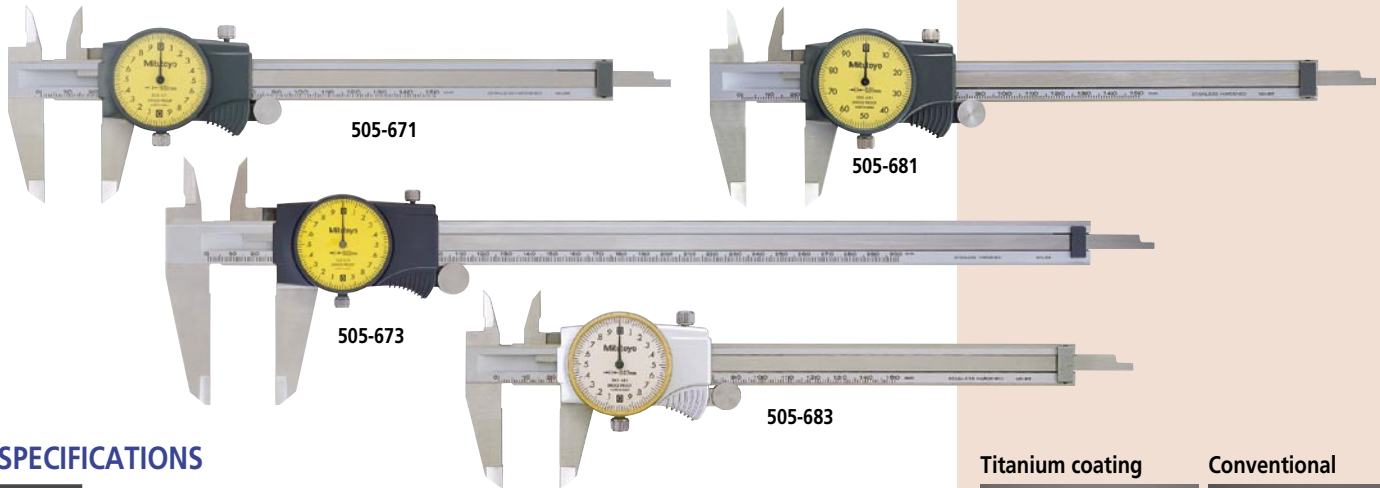
## SERIES 505

### FEATURES

- New designed dial movement for ultra smooth sliding and high shock protection.
- Titanium coating is applied to the sliding surface to strengthen the durability (except for 0 - 300mm and 0 - 12" model). No wearing by 100,000-time sliding test.
- Can measure OD, ID, depth, and steps.
- Clamping screw atop the slider.
- Special models available with carbide-tipped OD and ID jaws.



(Refer to the page 9 for details.)



### SPECIFICATIONS

Metric			
Range	Order No.	Accuracy	Remarks (dial reading / others)
0 - 100mm	505-680	±0.015mm	0.01mm, 1mm/rev —
0 - 150mm	505-671 / 505-683*	±0.03mm	0.02mm, 2mm/rev —
0 - 150mm	505-707	±0.03mm	0.02mm, 2mm/rev Carbide-tipped jaws for OD measurement
0 - 150mm	505-711	±0.03mm	0.02mm, 2mm/rev Carbide-tipped jaws for OD & ID measurement
0 - 150mm	505-681 / 505-685*	±0.02mm	0.01mm, 1mm/rev —
0 - 200mm	505-672 / 505-684*	±0.03mm	0.02mm, 2mm/rev —
0 - 200mm	505-682 / 505-686*	±0.03mm	0.01mm, 1mm/rev —
0 - 300mm	505-673	±0.04mm	0.02mm, 2mm/rev —

\*Silver cover type

Inch			
Range	Order No.	Accuracy	Remarks (dial reading / others)
0 - 4"	505-674	±.001"	.001", .1"/rev —
0 - 6"	505-675 / 505-689*	±.001"	.001", .1"/rev —
0 - 6"	505-708	±.001"	.001", .1"/rev Carbide-tipped jaws for OD measurement
0 - 6"	505-712	±.001"	.001", .1"/rev Carbide-tipped jaws for OD & ID measurement
0 - 8"	505-676 / 505-690*	±.002"	.001", .1"/rev —
0 - 8"	505-709	±.002"	.001", .1"/rev Carbide-tipped jaws for OD measurement
0 - 8"	505-713	±.002"	.001", .1"/rev Carbide-tipped jaws for OD & ID measurement
0 - 12"	505-720	±.002"	.001", .2"/rev —
0 - 12"	505-677*	±.002"	.001", .1"/rev —
0 - 12"	505-721	±.002"	.001", .2"/rev Carbide-tipped jaws for OD measurement
0 - 12"	505-710*	±.002"	.001", .1"/rev Carbide-tipped jaws for OD measurement
0 - 12"	505-714*	±.002"	.001", .1"/rev Carbide-tipped jaws for OD & ID measurement

\*Silver cover type

### Titanium coating



Wear: 0µm

### Conventional

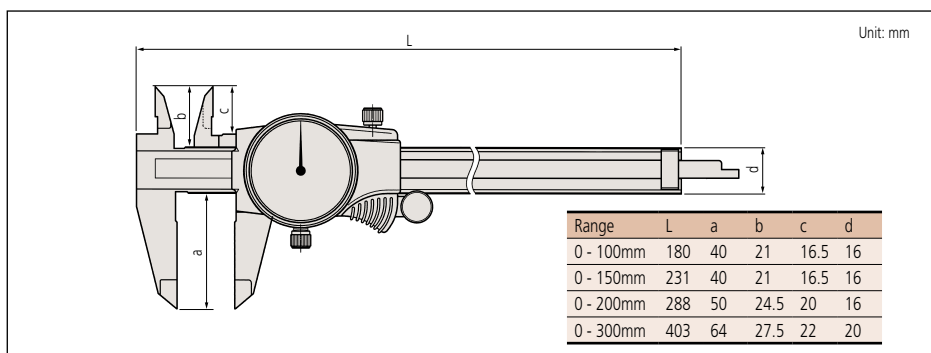


Wear: 4µm

### Technical Data

Accuracy: Refer to the list of specifications.  
Dial reading: Refer to the list of specifications.

### DIMENSION



# ABSOLUTE Coolant Proof Carbon Fiber Caliper

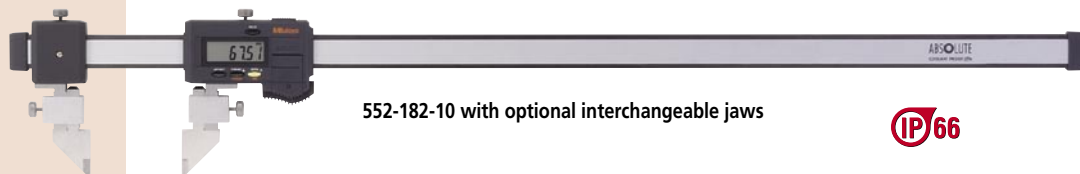
## SERIES 552 — with Interchangeable Jaws



(Refer to the page 9 for details.)

### FEATURES

- The range of applications can be expanded by using the interchangeable jaws (optional).
- Quick and easy exchanging of jaws due to the unique clamping mechanism. (A pair of clamping wheels are standard accessories.)
- Provided with preset function for setting a desired starting point, which allows direct readout of offset measurements.
- With SPC data output.

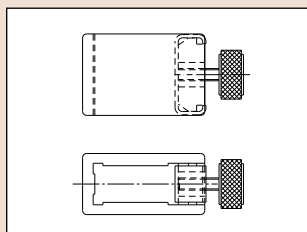


552-182-10 with optional interchangeable jaws



### Technical Data

Accuracy: Refer to the list of specifications. (excluding quantizing error)  
 Resolution: 0.01mm or .0005"/0.01mm  
 Display: LCD  
 Length standard: ABSOLUTE electromagnetic induction linear encoder  
 Max. response speed: Unlimited  
 Battery: SR44 (1 pc.), **938882**  
 Battery life: Approx. 5,000 hours in continuous use  
 Dust/Water protection level: IP66  
 Standard accessory: Jaw clamps (2 pcs.), **05GZA033**



### Function

Origin-set, Zero-setting, Presetting, Offsetting, Data hold, Automatic power on/off, Data output, inch/mm conversion (inch/mm models)  
 Alarm: Low voltage, Counting value composition error

### Optional Accessory

**05CZA624**: SPC cable with data switch (1m)  
**05CZA625**: SPC cable with data switch (2m)



### SPECIFICATIONS

Metric		
Range	Order No.	Accuracy
0 - 450mm	<b>552-181-10</b>	±0.04mm
0 - 600mm	<b>552-182-10</b>	±0.04mm
0 - 1000mm	<b>552-183-10</b>	±0.05mm
0 - 1500mm	<b>552-184-10</b>	±0.09mm
0 - 2000mm	<b>552-185-10</b>	±0.12mm

Inch/Metric		
Range	Order No.	Accuracy
0 - 18"	<b>552-191-10</b>	±.002"
0 - 24"	<b>552-192-10</b>	±.002"
0 - 40"	<b>552-193-10</b>	±.002"
0 - 60"	<b>552-194-10</b>	±.004"
0 - 80"	<b>552-195-10</b>	±.005"

### Interchangeable Jaws (Optional)

**Standard Type**

Order No.	Components	a	b
<b>07CZA056</b>	Right ( <b>07CAA044</b> ), Left ( <b>07CAA045</b> )	28mm (1.1")	30mm (1.2")

**Surface Plate Type**

Order No.	a	b
<b>07CZA044</b>	90mm (3.5")	28mm (1.1")

**Inside Point Type**

**Metric**

Order No.	Components	a	b
<b>07CZA058</b>	<b>07CZA041</b> x 2pcs.	25mm	50mm

**Inch**

Order No.	Components	a	b
<b>07CZA059</b>	<b>07CZA048</b> x 2pcs.	1"	2"

**Centerline Type**

**Metric**

Order No.	Components	a	b
<b>07CZA057</b>	<b>07CZA039</b> x 2pcs.	30mm	30mm

**Inch**

Order No.	Components	a	b
<b>07CZA060</b>	<b>07CZA047</b> x 2pcs.	1.2"	1.2"

**Scriber Type**

**Metric**

Order No.	Components	a	b
<b>07CZA055</b>	Right ( <b>07CZA042</b> ), Left ( <b>07CZA043</b> )	8mm	30mm

**Inch**

Order No.	Components	a	b
<b>07CZA061</b>	Right ( <b>07CZA042</b> ), Left ( <b>07CZA049</b> )	031"	1.2"

# ABSOLUTE Coolant Proof Carbon Fiber Caliper

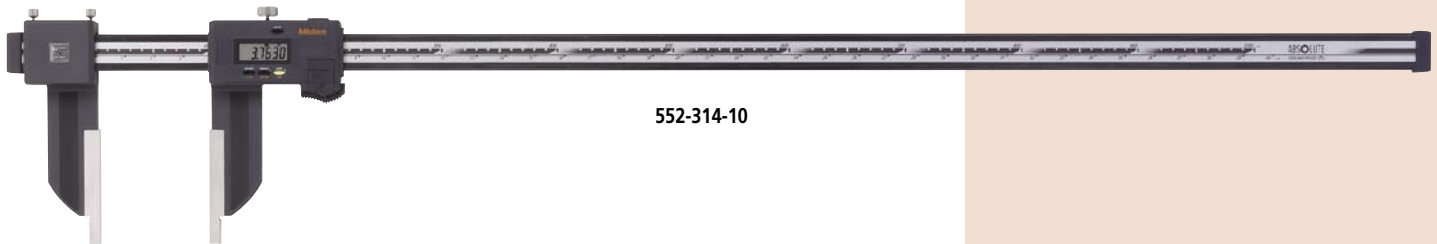
## SERIES 552

### FEATURES

- Lightweight Digimatic Calipers that employ CFRP (Carbon Fiber Reinforced Plastics) in the beam and jaws.
- Highly durable and easy to handle.
- The range of applications can be expanded by using the optional attachments.
- Direct readout of ID measurements from the LCD. (Offset value can be set easily by pressing the Offset key.)
- Preset function for setting a desired starting point.
- With SPC data output.
- Special model available with ceramic jaws which are suitable to measure magnetic products.



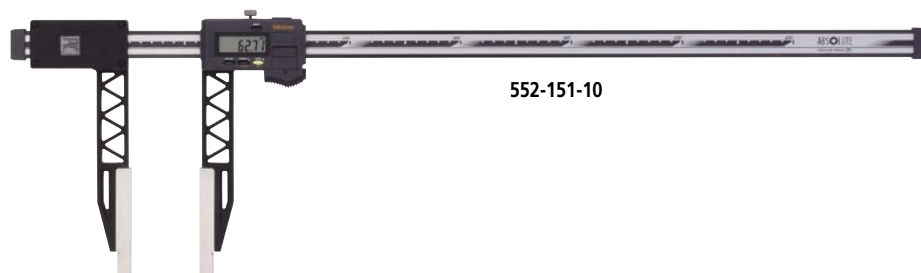
(Refer to the page 9 for details.)



552-314-10



552-155-10



552-151-10

### SPECIFICATIONS

Metric		
Range*	Order No. (standard / long jaws / ceramic jaws)	Accuracy (standard / long jaws / ceramic jaws)
0 (20) - 450mm	552-302-10 / 552-150-10 / 552-155-10	±0.04mm / ±0.06mm / ±0.04mm
0 (20) - 600mm	552-303-10 / 552-151-10 / 552-156-10	±0.04mm / ±0.06mm / ±0.04mm
0 (20) - 1000mm	552-304-10 / 552-152-10	±0.05mm / ±0.07mm
0 (20) - 1500mm	552-305-10 / 552-153-10	±0.09mm / ±0.11mm
0 (20) - 2000mm	552-306-10 / 552-154-10	±0.12mm / ±0.14mm

\*( ): Minimum dimension in ID measurement

Inch/Metric		
Range*	Order No. (standard / long jaws / ceramic jaws)	Accuracy (standard / long jaws / ceramic jaws)
0 (.5") - 18"	552-312-10 / 552-160-10 / 552-165-10	±.002" / ±.0025" / ±.002"
0 (.5") - 24"	552-313-10 / 552-161-10 / 552-166-10	±.002" / ±.0025" / ±.002"
0 (1") - 40"	552-314-10 / 552-162-10	±.002" / ±.003"
0 (1") - 60"	552-315-10 / 552-163-10	±.004" / ±.0045"
0 (1") - 80"	552-316-10 / 552-164-10	±.005" / ±.0055"

\*( ): Minimum dimension in ID measurement

### Technical Data

Accuracy: Refer to the list of specifications. (excluding quantizing error)  
 Resolution: 0.01mm or .0005"/0.01mm  
 Display: LCD  
 Length standard: ABSOLUTE electromagnetic induction linear encoder  
 Max. response speed: Unlimited  
 Battery: SR44 (1 pc.), **938882**  
 Battery life: Approx. 5,000 hours in continuous use  
 Dust/Water protection level: IP66

### Function

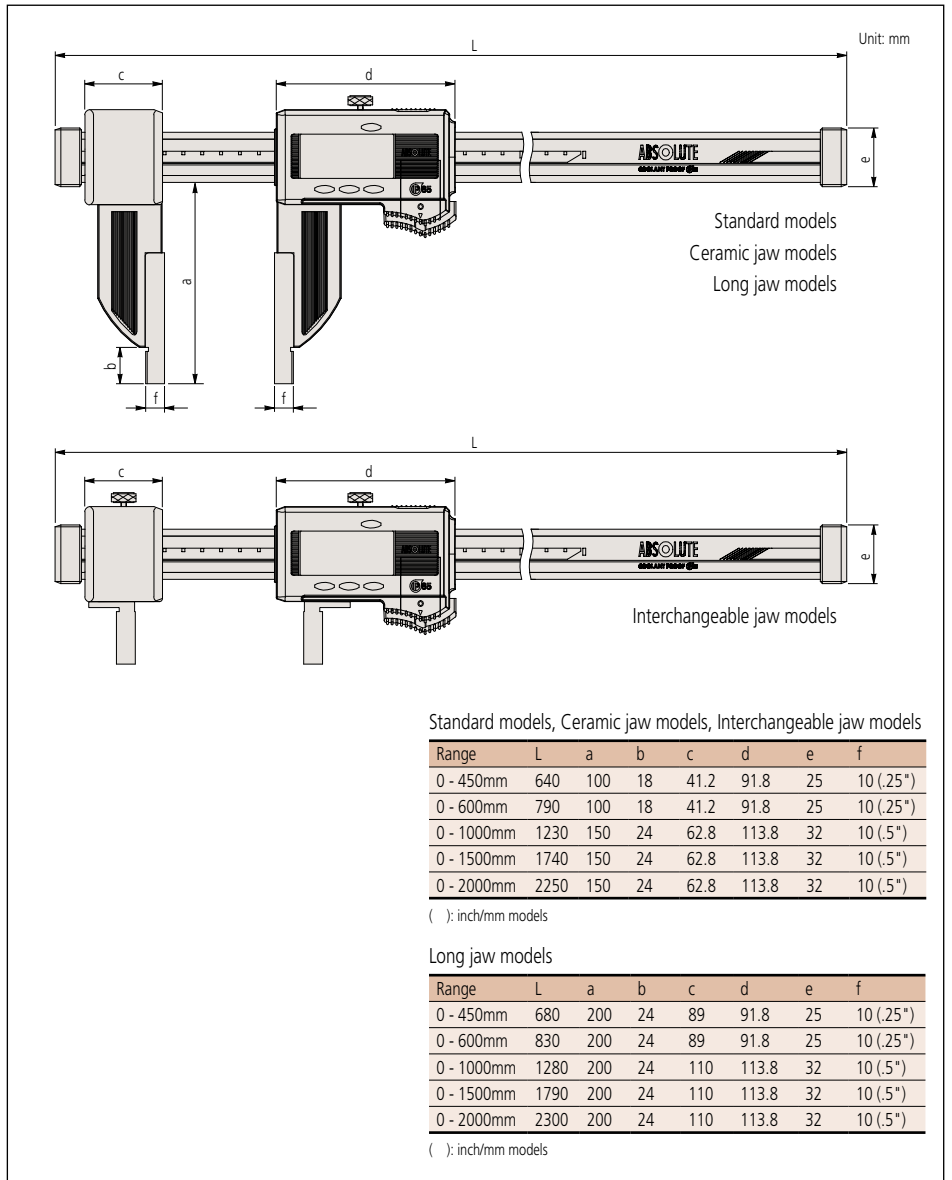
Origin-set, Zero-setting, Presetting, Offsetting, Data hold, Automatic power on/off, Data output, inch/mm conversion (inch/mm models)  
 Alarm: Low voltage, Counting value composition error

### Optional Accessory

- 05CZA624:** SPC cable with data switch (1m)
- 05CZA625:** SPC cable with data switch (2m)



## DIMENSION

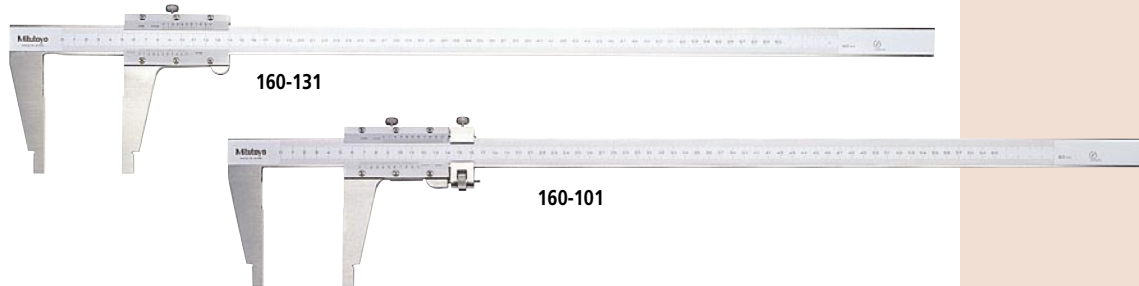


# Vernier Caliper

## SERIES 160 — with Nib Style Jaws and Fine Adjustment

### FEATURES

- The jaws have round measuring faces for accurate ID measurement.
- With fine adjustment carriage to feed the slider finely. (without 160-130 - 134)
- Inside and outside measurements can be directly read from the upper and lower slider graduations, respectively.



### SPECIFICATIONS

**Metric** with metric/metric double scale

Range*	Order No.	Accuracy	Remarks (lower scale graduation / upper scale graduation / Others)		
0 (20) - 450mm	<b>160-130</b>	±0.10mm	0.05mm	0.05mm	without fine adjustment
0 (20) - 600mm	<b>160-131</b>	±0.10mm	0.05mm	0.05mm	without fine adjustment
0 (20) - 1000mm	<b>160-132</b>	±0.15mm	0.05mm	0.05mm	without fine adjustment
0 (20) - 1500mm	<b>160-133</b>	±0.22mm	0.05mm	0.05mm	without fine adjustment
0 (20) - 2000mm	<b>160-134</b>	±0.28mm	0.05mm	0.05mm	without fine adjustment

\*( ): Minimum dimension in ID measurement

**Metric** with metric/metric double scale

Range*	Order No.	Accuracy	Remarks (lower scale graduation / upper scale graduation / Others)		
0 (10) - 300mm	<b>160-127</b>	±0.04mm	0.02mm	0.02mm	—
0 (20) - 450mm	<b>160-128</b>	±0.05mm	0.02mm	0.02mm	—
0 (20) - 600mm	<b>160-101</b>	±0.05mm	0.02mm	0.02mm	—
0 (20) - 1000mm	<b>160-104</b>	±0.07mm	0.02mm	0.02mm	—
0 (20) - 1500mm	<b>160-110</b>	±0.09mm	0.02mm	0.02mm	—
0 (20) - 2000mm	<b>160-113</b>	±0.12mm	0.02mm	0.02mm	—

\*( ): Minimum dimension in ID measurement

**Metric/Inch** with metric/inch double scale

Range*	Order No.	Accuracy	Remarks (lower scale graduation / upper scale graduation / Others)		
0 (10) - 300mm	<b>160-150</b>	±0.04mm	0.02mm	.001"	+10mm/.394" to reading in ID measurement
0 (20) - 450mm	<b>160-151</b>	±0.05mm	0.02mm	.001"	+20mm/.787" to reading in ID measurement
0 (20) - 600mm	<b>160-153</b>	±0.05mm	0.02mm	.001"	+20mm/.787" to reading in ID measurement
0 (20) - 1000mm	<b>160-155</b>	±0.07mm	0.02mm	.001"	+20mm/.787" to reading in ID measurement
0 (20) - 1500mm	<b>160-157</b>	±0.09mm	0.02mm	.001"	+20mm/.787" to reading in ID measurement
0 (20) - 2000mm	<b>160-159</b>	±0.12mm	0.02mm	.001"	+20mm/.787" to reading in ID measurement

\*( ): Minimum dimension in ID measurement

**Inch** with inch/inch double scale

Range*	Order No.	Accuracy	Remarks (lower scale graduation / upper scale graduation / Others)		
0 (.3") - 12"	<b>160-124</b>	±.0015"	.001"	.001"	—
0 (.5") - 18"	<b>160-116</b>	±.002"	.001"	.001"	—
0 (.5") - 24"	<b>160-102</b>	±.002"	.001"	.001"	—
0 (1") - 40"	<b>160-105</b>	±.003"	.001"	.001"	—
0 (1") - 60"	<b>160-111</b>	±.004"	.001"	.001"	—
0 (1") - 80"	<b>160-114</b>	±.005"	.001"	.001"	—

\*( ): Minimum dimension in ID measurement

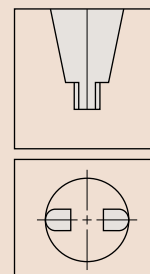
**Inch/Metric** with inch/metric double scale

Range*	Order No.	Accuracy	Remarks (lower scale graduation / upper scale graduation / Others)		
0 (.3") - 12"	<b>160-125</b>	±.0015"	.001"	0.02mm	+3"/7.62mm to reading in ID measurement
0 (.5") - 18"	<b>160-119</b>	±.002"	.001"	0.02mm	+5"/12.7mm to reading in ID measurement
0 (.5") - 24"	<b>160-103</b>	±.002"	.001"	0.02mm	+5"/12.7mm to reading in ID measurement
0 (1") - 40"	<b>160-106</b>	±.003"	.001"	0.02mm	+1"/25.4mm to reading in ID measurement
0 (1") - 60"	<b>160-112</b>	±.004"	.001"	0.02mm	+1"/25.4mm to reading in ID measurement
0 (1") - 80"	<b>160-115</b>	±.005"	.001"	0.02mm	+1"/25.4mm to reading in ID measurement

\*( ): Minimum dimension in ID measurement

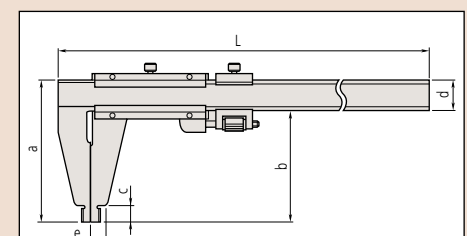
### Technical Data

Accuracy: Refer to the list of specifications.  
Graduation: Refer to the list of specifications.



Round surface of jaws for accurate CD measurement

### DIMENSION



Unit: mm

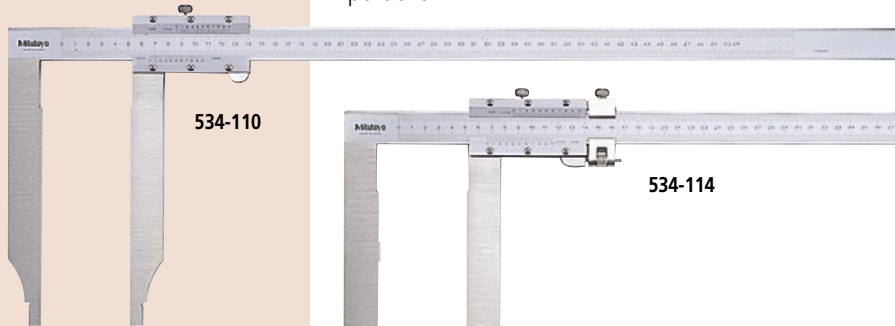
Range	L	a	b	c	d	e
0 - 300mm	445	95	25	12	20	10
0 - 450mm	630	125	100	18	25	14.8
0 - 600mm	780	125	100	18	25	14.8
0 - 1000mm	1240	172	140	24	32	17
0 - 1500mm	1800	212	180	30	32	19
0 - 2000mm	2300	220	180	30	40	23

# Long Jaw Vernier Caliper

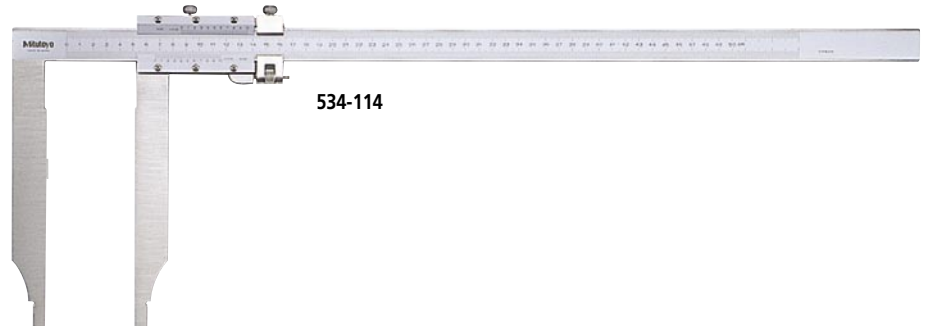
## SERIES 534

### FEATURES

- Long jaws for measuring hard-to-reach portions.



534-110



534-114

### SPECIFICATIONS

**Metric** with metric/metric double scale

Range*	Order No.	Accuracy	Remarks (lower scale graduation / upper scale graduation / Others)		
0 (10) - 300mm	<b>534-109</b>	±0.07mm	0.05mm	0.05mm	without fine adjustment
0 (20) - 500mm	<b>534-110</b>	±0.13mm	0.05mm	0.05mm	without fine adjustment

\*( ): Minimum dimension in ID measurement

**Metric** with metric/metric double scale

Range*	Order No.	Accuracy	Remarks (lower scale graduation / upper scale graduation / Others)		
0 (10) - 300mm	<b>534-113</b>	±0.04mm	0.02mm	0.02mm	—
0 (20) - 500mm	<b>534-114</b>	±0.06mm	0.02mm	0.02mm	—
0 (20) - 750mm	<b>534-115</b>	±0.08mm	0.02mm	0.02mm	—
0 (20) - 1000mm	<b>534-116</b>	±0.10mm	0.02mm	0.02mm	—

\*( ): Minimum dimension in ID measurement

**Metric/Inch** with metric/inch double scale

Range*	Order No.	Accuracy	Remarks (lower scale graduation / upper scale graduation / Others)		
0 (10) - 300mm	<b>534-101</b>	±0.07mm	0.05mm	1/128"	+10mm/.394" to reading in ID measurement
0 (10) - 300mm	<b>534-105</b>	±0.04mm	0.02mm	.001"	+10mm/.394" to reading in ID measurement
0 (20) - 500mm	<b>534-102</b>	±0.13mm	0.05mm	1/128"	+20mm/.787" to reading in ID measurement
0 (20) - 500mm	<b>534-106</b>	±0.06mm	0.02mm	.001"	+20mm/.787" to reading in ID measurement
0 (20) - 700mm	<b>534-103</b>	±0.16mm	0.05mm	1/128"	+20mm/.787" to reading in ID measurement
0 (20) - 700mm	<b>534-107</b>	±0.08mm	0.02mm	.001"	+20mm/.787" to reading in ID measurement
0 (20) - 1000mm	<b>534-104</b>	±0.20mm	0.05mm	1/128"	+20mm/.787" to reading in ID measurement
0 (20) - 1000mm	<b>534-108</b>	±0.10mm	0.02mm	.001"	+20mm/.787" to reading in ID measurement

\*( ): Minimum dimension in ID measurement

**Inch** with inch/inch double scale

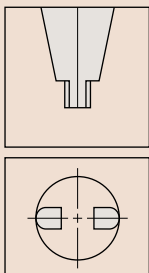
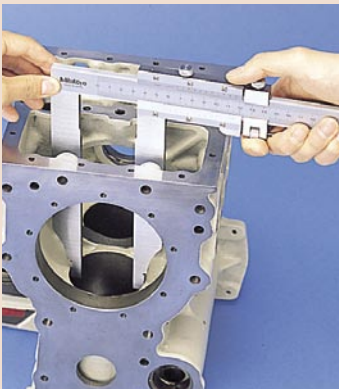
Range*	Order No.	Accuracy	Remarks (lower scale graduation / upper scale graduation / Others)		
0 (.3") - 12"	<b>534-117</b>	±.002"	.001"	.001"	—
0 (.8") - 20"	<b>534-118</b>	±.003"	.001"	.001"	—
0 (.8") - 30"	<b>534-119</b>	±.004"	.001"	.001"	—
0 (.8") - 40"	<b>534-120</b>	±.004"	.001"	.001"	—

\*( ): Minimum dimension in ID measurement

### Technical Data

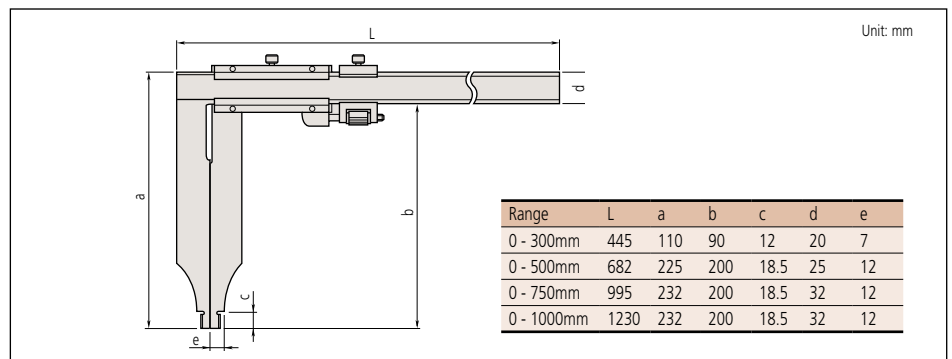
Accuracy: Refer to the list of specifications.

Graduation: Refer to the list of specifications.



Round surface of jaws for accurate CD measurement

### DIMENSION



# Offset Caliper

**SERIES 573, 536 — ABSOLUTE Digimatic and vernier type**

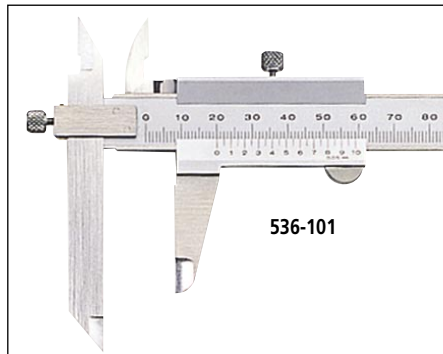
## FEATURES

- Main scale jaw can be slid up and down to facilitate measurement of stepped sections. (Hard-to-get-at dimensions such as A, B, C can be accurately measured.)
- With depth bar.
- With SPC data output. (series 573)



IP67

573-601



536-101

## SPECIFICATIONS

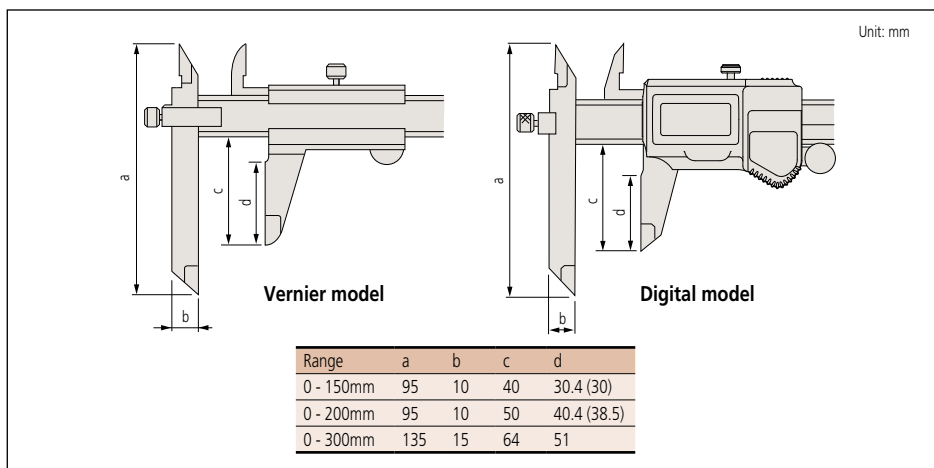
Metric	Digital model	
Range	Order No.	Accuracy
0 - 150mm	573-601	±0.02mm
0 - 150mm	573-611*	±0.02mm
0 - 200mm	573-602	±0.02mm
0 - 200mm	573-612*	±0.02mm
0 - 300mm	573-604	±0.03mm
0 - 300mm	573-614*	±0.03mm

\*Without thumb roller

Metric		
Range	Order No.	Accuracy
0 - 150mm	536-101	±0.05mm
0 - 200mm	536-102	±0.05mm
0 - 300mm	536-103	±0.08mm

Inch/Metric	Digital model	
Range	Order No.	Accuracy
0 - 6"	573-701	±.001"
0 - 8"	573-702	±.001"
0 - 12"	573-704	±.0015"

## DIMENSION



SPC

ABSOLUTE®  
Absolute System Patented by MITUTOYO

(Refer to the page 9 for details.)

www.tuv.com  
TÜV  
TÜV Rheinland  
ID:2011207400

IP67

(Refer to the page 9 for details.)

## Technical Data

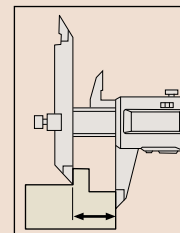
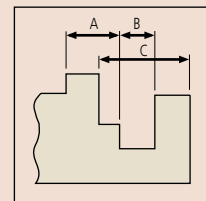
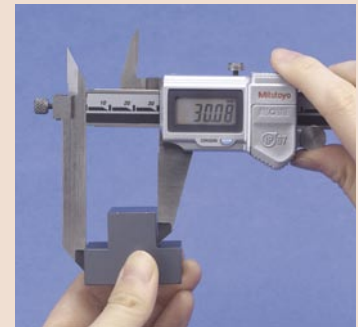
Accuracy: Refer to the list of specifications. (excluding quantizing error for digital models)  
 Resolution\*: 0.01mm or .0005"/0.01mm  
 Graduation\*\*: 0.05mm  
 Display\*: LCD  
 Length standard\*: ABSOLUTE electromagnetic induction linear encoder  
 Max. response speed\*: Unlimited  
 Battery\*: SR44 (1 pc.), **938882**  
 Battery life\*: Approx. 3 years under normal use (1 year: 300mm model)  
 Dust/Water protection level\*: IP67  
 \*Digital models \*\*Analog models

## Function of Digital Model

Origin-set, Zero-setting, Automatic power on/off, Data output, inch/mm conversion (inch/mm models)  
 Alarm: Low voltage, Counting value composition error

## Optional Accessory for Digital Model

**05CZA624**: SPC cable with data switch (1m)  
**05CZA625**: SPC cable with data switch (2m)





(Refer to the page 9 for details.)



(Refer to the page 9 for details.)

### Technical Data

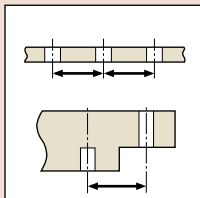
Accuracy: Refer to the list of specifications.  
(excluding quantizing error for digital models)  
Resolution\*: 0.01mm or .0005"/0.01mm  
Graduation\*\*: 0.05mm  
Display\*: LCD  
Length standard\*: ABSOLUTE electromagnetic induction linear encoder  
Max. response speed\*: Unlimited  
Battery\*: SR44 (1 pc.), **938882**  
Battery life\*: Approx. 3 years under normal use  
(1 year: 310mm model)  
Dust/Water protection level\*: IP67  
\*Digital models \*\*Analog models

### Function of Digital Model

Origin-set, Zero-setting, Automatic power on/off, Data output, inch/mm conversion (inch/mm models)  
Alarm: Low voltage, Counting value composition error

### Optional Accessory for Digital Model

**05CZA624**: SPC cable with data switch (1m)  
**05CZA625**: SPC cable with data switch (2m)

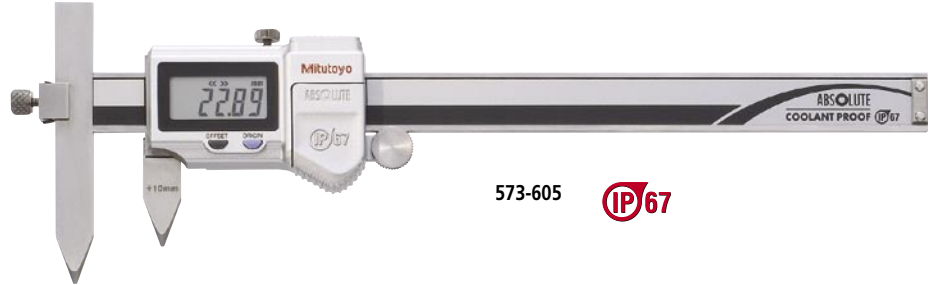


# Offset Centerline Caliper

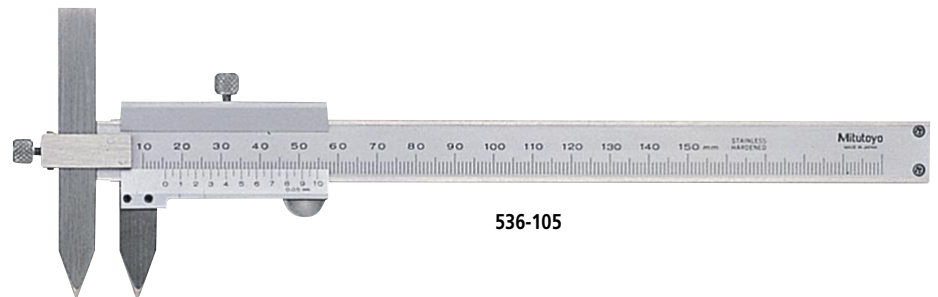
**SERIES 534, 536 — ABSOLUTE Digimatic and vernier type**

### FEATURES

- Specially designed for center to center distance measurements on the same and offset planes.
- Can also measure from edge to center.
- Hole diameter should be in the range of 1.5mm - 10mm (.06" - .4").
- With SPC data output. (series 573)



573-605



536-105

### SPECIFICATIONS

Metric	Digital model	
Range	Order No.	Accuracy
10 - 160mm	<b>573-605</b>	±0.03mm
10 - 160mm	<b>573-615*</b>	±0.03mm
10 - 210mm	<b>573-606</b>	±0.03mm
10 - 210mm	<b>573-616*</b>	±0.03mm
10 - 310mm	<b>573-608</b>	±0.04mm
10 - 310mm	<b>573-618*</b>	±0.04mm

\*Without thumb roller

Inch/Metric	Digital model	
Range	Order No.	Accuracy
.4 - 6.4"	<b>573-705</b>	±.0015"
.4 - 8.4"	<b>573-706</b>	±.0015"
.4 - 12.4"	<b>573-708</b>	±.0015"

Metric	Digital model	
Range	Order No.	Accuracy
10 - 150mm	<b>536-105</b>	±0.05mm
10 - 200mm	<b>536-106</b>	±0.05mm
10 - 300mm	<b>536-107</b>	±0.08mm

### DIMENSION

Unit: mm

Range	a	t
0 - 150mm	75	3
0 - 200mm	75	3
0 - 300mm	100	3.8

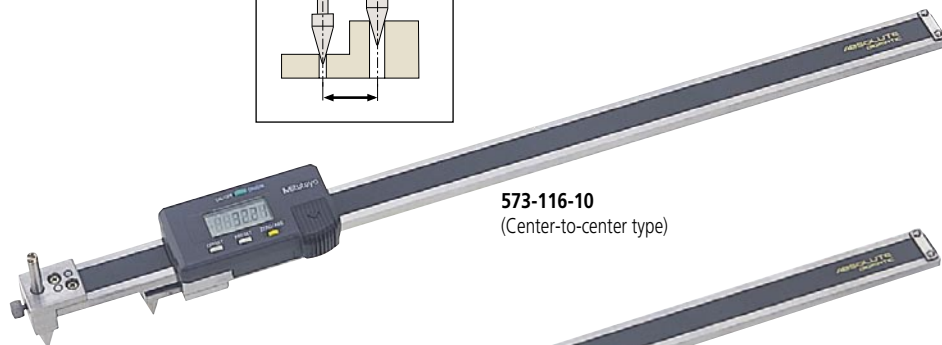
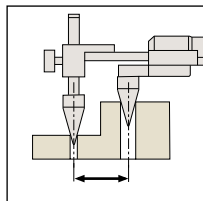


# ABSOLUTE Back-Jaw Centerline Caliper

## SERIES 537 — Center-to-center & edge-to-center Types

### FEATURES

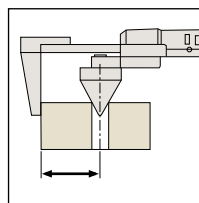
- Specially designed to measure the distance between two centers or the distance from an edge to center.
- Provided with jaws on the back of the slider, measurements can be read easily by looking down.
- Direct reading of pitch measurements is available due to the offset value setting function.
- With SPC data output.



**573-116-10**  
(Center-to-center type)



**573-118-10**  
(Edge-to-center type)

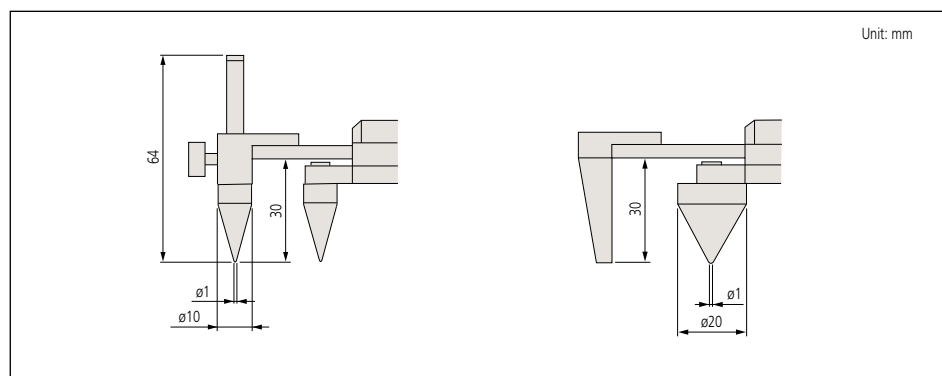


### SPECIFICATIONS

Metric Center-to-center distance type		
Range	Order No.	Accuracy
10 - 200mm	<b>573-116-10</b>	±0.10mm
10 - 300mm	<b>573-117-10</b>	±0.15mm

Metric Edge-to-center distance type		
Range	Order No.	Accuracy
10 - 200mm	<b>573-118-10</b>	±0.10mm
10 - 300mm	<b>573-119-10</b>	±0.15mm

### DIMENSION



(Refer to the page 9 for details.)

### Technical Data

Accuracy: Refer to the list of specifications.  
(excluding quantizing error for digital models)  
Resolution: 0.01mm or .0005"/0.01mm  
Display: LCD  
Length standard\*: ABSOLUTE electrostatic capacitance type linear encoder  
Max. response speed: Unlimited  
Battery: SR44 (1 pc.), **938882**  
Battery life: Approx. 3.5 years under normal use

### Function

Origin-set, Zero-setting, Automatic power on/off, Data output, inch/mm conversion (inch/mm models)  
Alarm: Low voltage, Counting value composition error

### Optional Accessory

- 959143:** Data hold unit
- 959149:** SPC cable with data switch (1m)
- 959150:** SPC cable with data switch (2m)



(Refer to the page 9 for details.)



(Refer to the page 9 for details.)

### Technical Data

Accuracy: Refer to the list of specifications.  
(excluding quantizing error for digital models)  
Resolution\*: 0.01mm or .0005"/0.01mm  
Graduation\*\*: 0.05mm  
Display\*: LCD  
Length standard\*: ABSOLUTE electromagnetic induction linear encoder  
Max. response speed\*: Unlimited  
Battery\*: SR44 (1 pc.), **938882**  
Battery life\*: Approx. 3 years under normal use  
Dust/Water protection level\*: IP67  
\*Digital models \*\*Analog models

### Function of Digital Model

Origin-set, Zero-setting, Automatic power on/off, Data output, inch/mm conversion (inch/mm models)  
Alarm: Low voltage, Counting value composition error

### Optional Accessory for Digital Model

**05CZA624**: SPC cable with data switch (1m)  
**05CZA625**: SPC cable with data switch (2m)

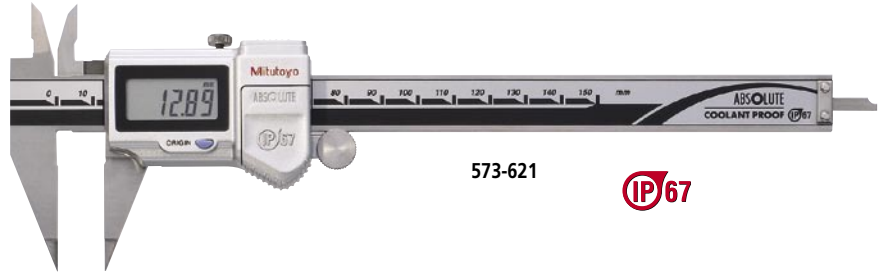


# Point Caliper

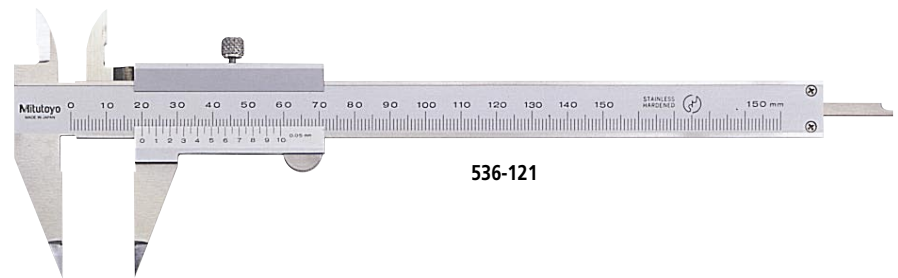
**SERIES 573, 536 — ABSOLUTE Digimatic and vernier type**

### FEATURES

- Narrow tip jaws fit into very small grooves and tracks, making many previously difficult outside measurements far easier to obtain.
- With depth bar.
- With SPC data output. (series 573)



573-621



536-121

### SPECIFICATIONS

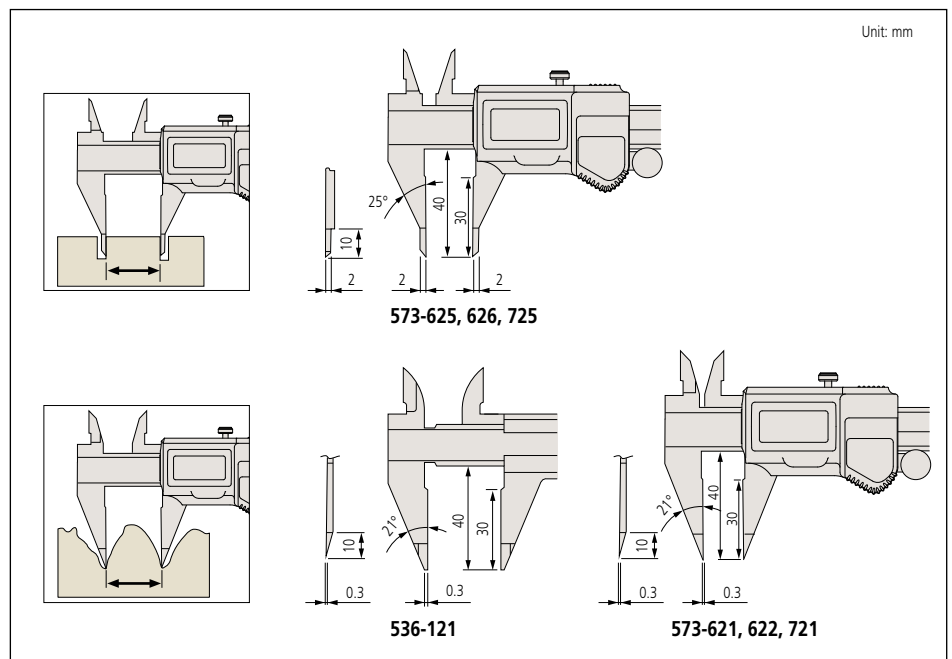
Metric	Digital model	
Range	Order No.	Accuracy
0 - 150mm	<b>573-621</b>	±0.02mm
0 - 150mm	<b>573-625</b>	±0.02mm
0 - 150mm	<b>573-622*</b>	±0.02mm
0 - 150mm	<b>573-626*</b>	±0.02mm

\*without thumb roller

Metric		
Range	Order No.	Accuracy
0 - 150mm	<b>536-121</b>	±0.05mm

Inch/Metric	Digital model	
Range	Order No.	Accuracy
0 - 6"	<b>573-721</b>	±.001"
0 - 6"	<b>573-725</b>	±.001"

### DIMENSION

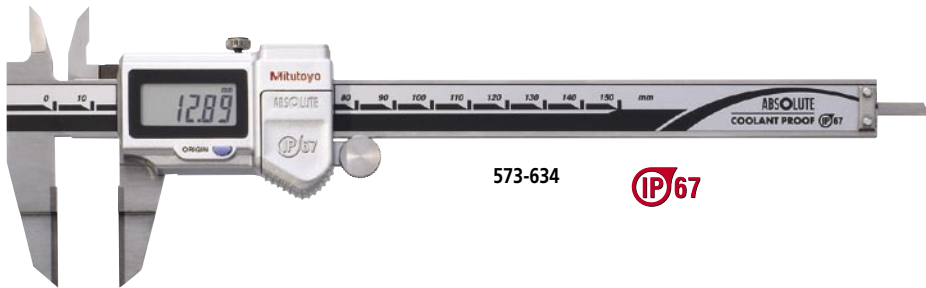


# Blade Type Caliper

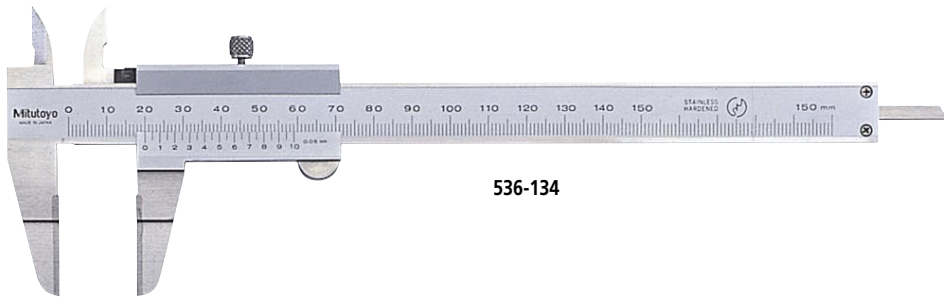
**SERIES 573, 536 — ABSOLUTE Digimatic and vernier type**

## FEATURES

- The thin blade type jaws fit into very small grooves and making previously difficult outside measurements far easier to obtain.
- The OD measuring faces are carbide-tipped.
- With depth bar.
- With SPC data output. (series 573)



573-634



536-134

## SPECIFICATIONS

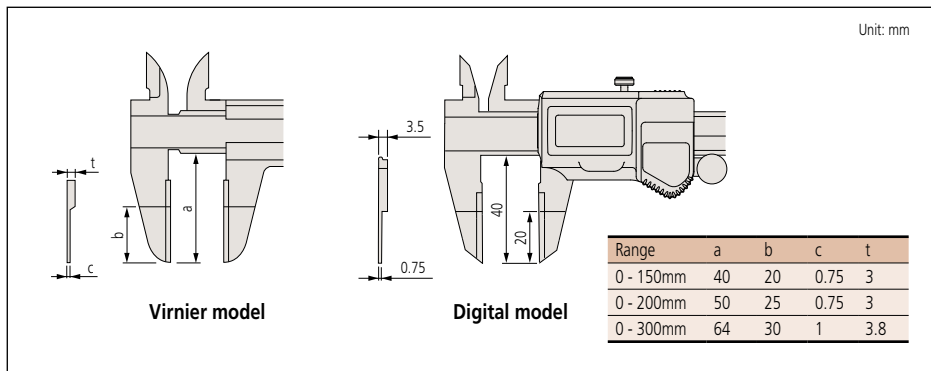
Metric Digital model		
Range	Order No.	Accuracy
0 - 150mm	<b>573-634</b>	±0.02mm
0 - 150mm	<b>573-635*</b>	±0.02mm

\*without thumb roller

Metric		
Range	Order No.	Accuracy
0 - 150mm	<b>536-134</b>	±0.05mm
0 - 200mm	<b>536-135</b>	±0.05mm
0 - 300mm	<b>536-136</b>	±0.08mm

Inch/Metric Digital model		
Range	Order No.	Accuracy
0 - 6"	<b>573-734</b>	±.001"

## DIMENSION



(Refer to the page 9 for details.)



(Refer to the page 9 for details.)

## Technical Data

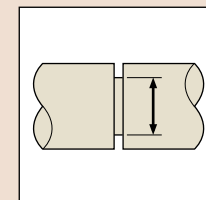
Accuracy: Refer to the list of specifications.  
(excluding quantizing error for digital models)  
Resolution\*: 0.01mm or .0005"/0.01mm  
Graduation\*\*: 0.05mm  
Display\*: LCD  
Length standard\*: ABSOLUTE electromagnetic induction linear encoder  
Max. response speed\*: Unlimited  
Battery\*: SR44 (1 pc.), **938882**  
Battery life\*: Approx. 3 years under normal use  
Dust/Water protection level\*: IP67  
\*Digital models \*\*Analog models

## Function of Digital Model

Origin-set, Zero-setting, Automatic power on/off, Data output, inch/mm conversion (inch/mm models)  
Alarm: Low voltage, Counting value composition error

## Optional Accessory for Digital Model

- 05CZA624:** SPC cable with data switch (1m)
- 05CZA625:** SPC cable with data switch (2m)





(Refer to the page 9 for details.)



(Refer to the page 9 for details.)

### Technical Data

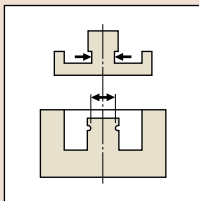
Accuracy: Refer to the list of specifications.  
(excluding quantizing error for digital models)  
Resolution\*: 0.01mm or .0005"/0.01mm  
Graduation\*\*: 0.05mm  
Display\*: LCD  
Length standard\*: ABSOLUTE electromagnetic induction  
linear encoder  
Max. response speed\*: Unlimited  
Battery\*: SR44 (1 pc.), **938882**  
Battery life\*: Approx. 3 years under normal use  
Dust/Water protection level\*: IP67  
\*Digital models \*\*Analog models

### Function of Digital Model

Origin-set, Zero-setting, Automatic power on/off, Data output, inch/mm conversion (inch/mm models)  
Alarm: Low voltage, Counting value composition error

### Optional Accessory for Digital Model

**05CZA624**: SPC cable with data switch (1m)  
**05CZA625**: SPC cable with data switch (2m)

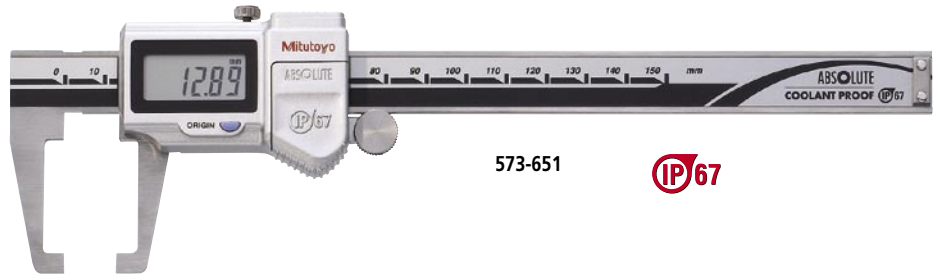


# Neck Caliper

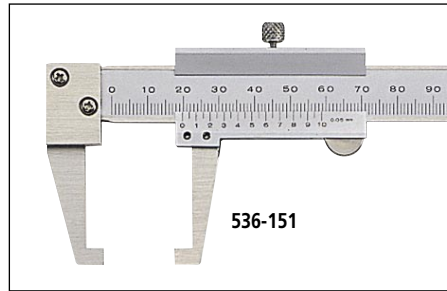
**SERIES 573, 536 — ABSOLUTE Digimatic and vernier type**

### FEATURES

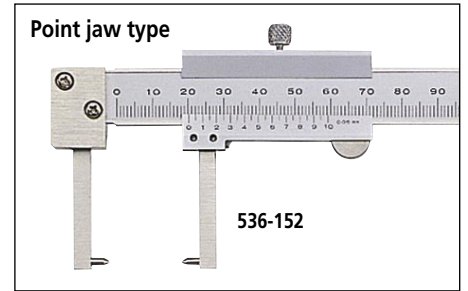
- Can measure wall thickness inside bores and recesses.
- With SPC data output. (series 573)



573-651



536-151



536-152

### SPECIFICATIONS

Metric	Digital model	
Range	<b>Order No.</b>	Accuracy
0 - 150mm	<b>573-651</b>	±0.03mm
0 - 150mm	<b>573-652*</b>	±0.03mm
0 - 150mm	<b>573-653</b>	±0.03mm
0 - 150mm	<b>573-654*</b>	±0.03mm

\*Point type 573-653, 573-654: without thumb roller

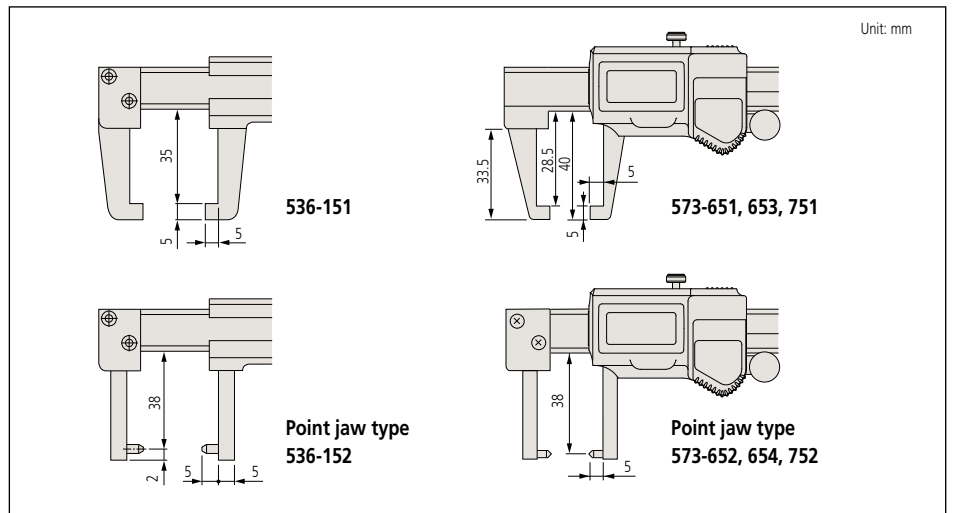
Inch/Metric	Digital model	
Range	<b>Order No.</b>	Accuracy
0 - 6"	<b>573-751</b>	±.0015"
0 - 6"	<b>573-752*</b>	±.0015"

\*Point type

Metric		
Range	<b>Order No.</b>	Accuracy
0 - 150mm	<b>536-151</b>	±0.05mm
0 - 150mm	<b>536-152*</b>	±0.05mm

\*Point type

### DIMENSION



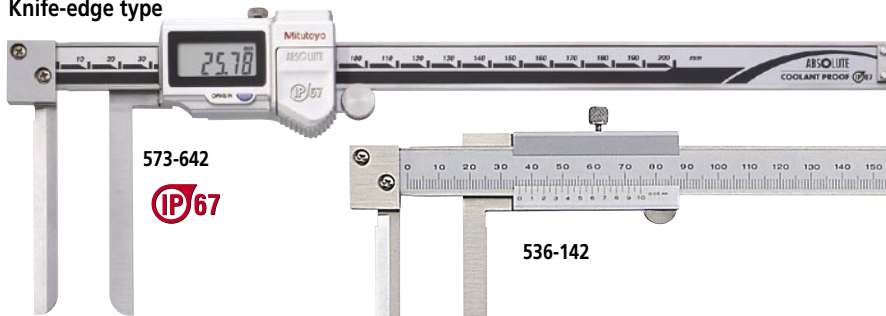
# ABSOLUTE Inside Caliper

**SERIES 573, 536 — Knife-edge/Inside Groove/Point Jaw Type**

## FEATURES

- Specially designed for inside measurements in hard-to-reach places.
- With SPC data output. (series 573)

### Knife-edge type

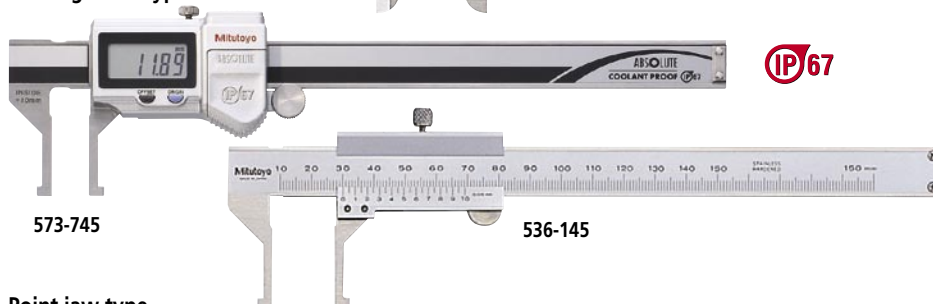


573-642

IP67

536-142

### Inside groove type

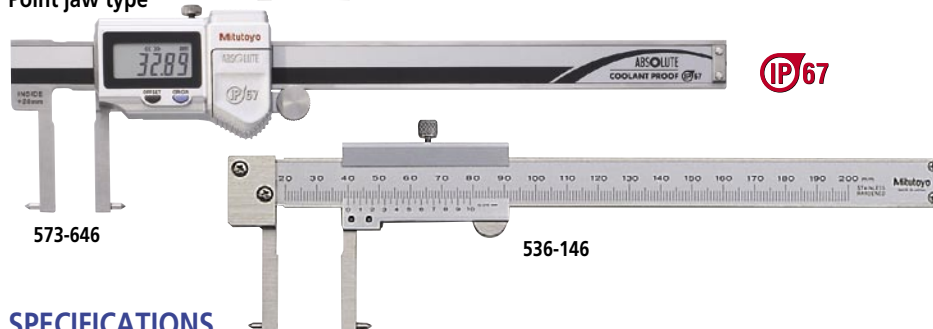


573-745

IP67

536-145

### Point jaw type



573-646

IP67

536-146

## SPECIFICATIONS

**Metric** Digital model

Range	Order No.	Accuracy	Remarks
10 - 200mm	573-642	±0.05mm	Knife-edge type, Measurable min. hole diameter: ø10mm
10 - 200mm	573-643*	±0.05mm	Knife-edge type, Measurable min. hole diameter: ø10mm
10 - 160mm	573-645	±0.05mm	Inside groove type, Measurable min. hole diameter: ø10mm
10 - 160mm	573-647*	±0.05mm	Inside groove type, Measurable min. hole diameter: ø10mm
20 - 170mm	573-646	±0.03mm	Point jaw type, Measurable min. hole diameter: ø20mm
20 - 170mm	573-648*	±0.03mm	Point jaw type, Measurable min. hole diameter: ø20mm

\*without thumb roller

**Inch/Metric** Digital model

Range	Order No.	Accuracy	Remarks
.4" - 8"	573-742	±.002"	Knife-edge type, Measurable min. hole diameter: ø.4"
.4" - 6"	573-745	±.002"	Inside groove type, Measurable min. hole diameter: ø.4"
.8" - 6"	573-746	±.0015"	Point jaw type, Measurable min. hole diameter: ø.8"

**Metric**

Range	Order No.	Accuracy	Remarks
10 - 200mm	536-142	±0.12mm	Knife-edge type, Measurable min. hole diameter: ø10mm
10 - 150mm	536-145	±0.05mm	Inside groove type, Measurable min. hole diameter: ø10mm
20 - 150mm	536-146	±0.05mm	Point jaw type, Measurable min. hole diameter: ø20mm
30 - 300mm	536-147	±0.08mm	Point jaw type, Measurable min. hole diameter: ø30mm
70 - 450mm	536-148	±0.10mm	Point jaw type, Measurable min. hole diameter: ø70mm
70 - 600mm	536-149	±0.12mm	Point jaw type, Measurable min. hole diameter: ø70mm

SPC

**ABSOLUTE**  
Absolute System Patented by MITUTOYO

(Refer to the page 9 for details.)

www.tuv.com  
**TÜV**  
TÜV Rheinland  
ID:2011207400

**IP67**

(Refer to the page 9 for details.)

## Technical Data

Accuracy: Refer to the list of specifications.  
(excluding quantizing error for digital models)  
Resolution\*: 0.01mm or .0005"/0.01mm  
Graduation\*\*: 0.05mm  
Display\*: LCD  
Length standard\*: ABSOLUTE electromagnetic induction linear encoder  
Max. response speed\*: Unlimited  
Battery\*: SR44 (1 pc.), **938882**  
Battery life\*: Approx. 3 years under normal use  
Dust/Water protection level\*: IP67

\*Digital models \*\*Analog models

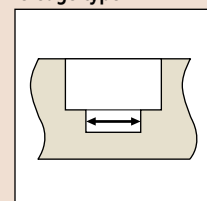
## Function of Digital Model

Origin-set, Zero-setting, Automatic power on/off, Data output, inch/mm conversion (inch/mm models)  
Alarm: Low voltage, Counting value composition error

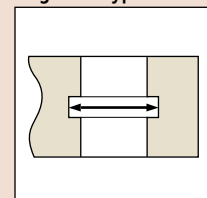
## Optional Accessory for Digital Model

**05CZA624**: SPC cable with data switch (1m)  
**05CZA625**: SPC cable with data switch (2m)

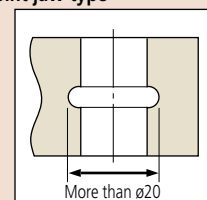
### Knife-edge type



### Inside groove type



### Point jaw type

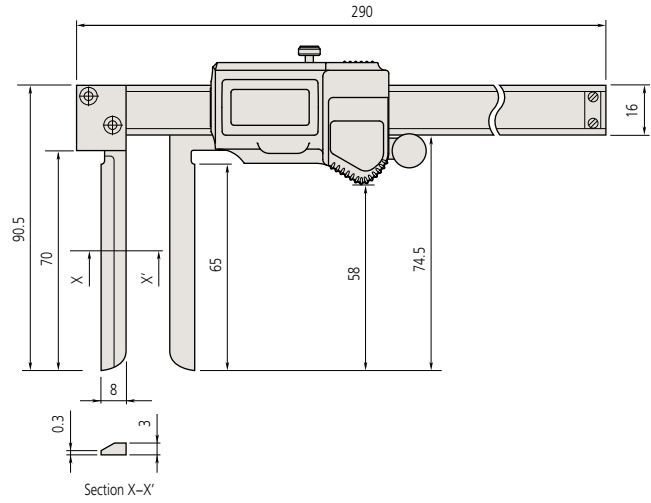
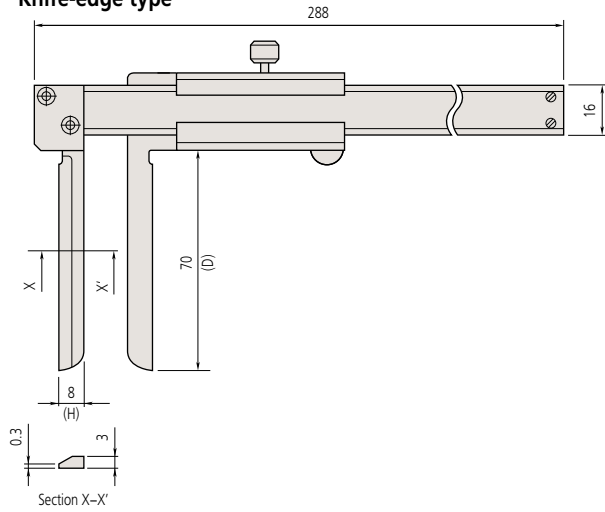




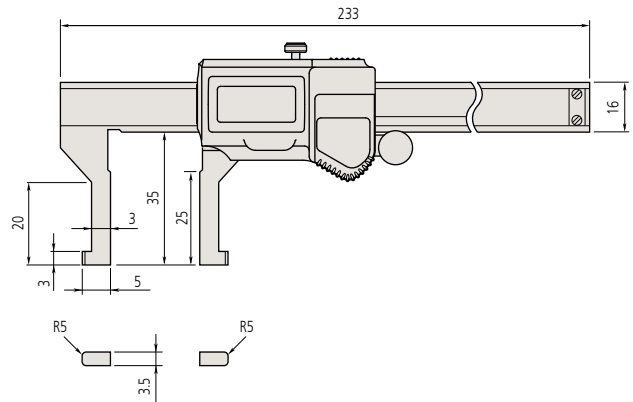
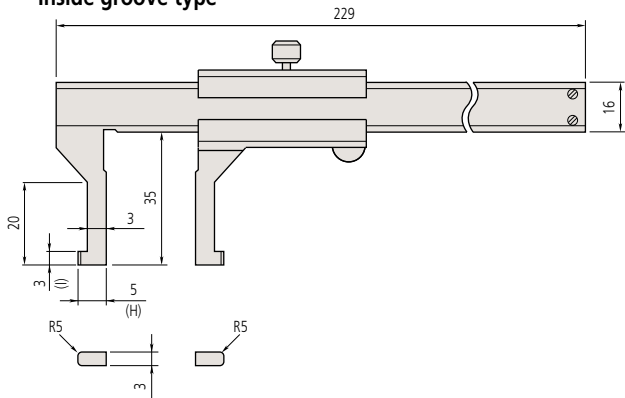
## DIMENSION

Unit: mm

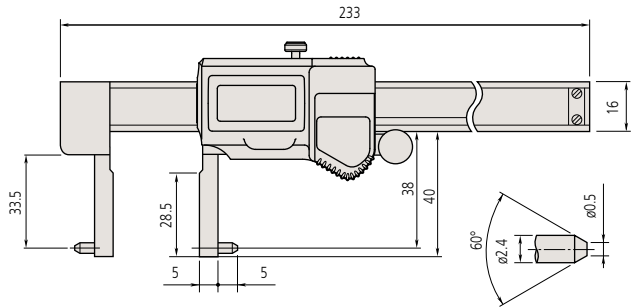
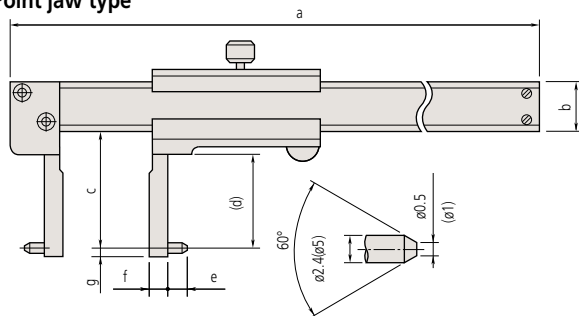
### Knife-edge type



### Inside groove type



### Point jaw type



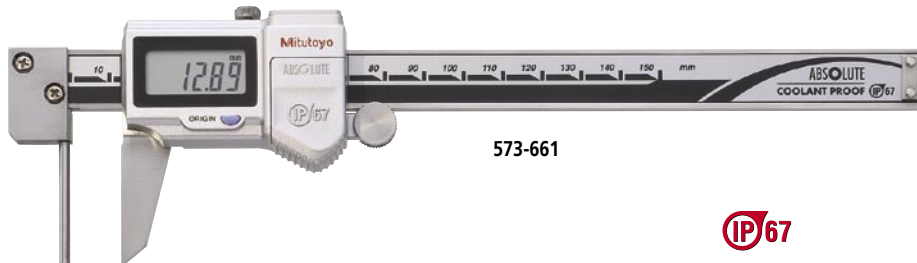
Range	a	b	c	d	e	f	g
150mm	229	16	38	31	5	5	2
300mm	403	20	98	89	5	10	2
450mm	610	25	145	136	10	25	5
600mm	750	25	145	136	10	25	5

# Tube Thickness Caliper

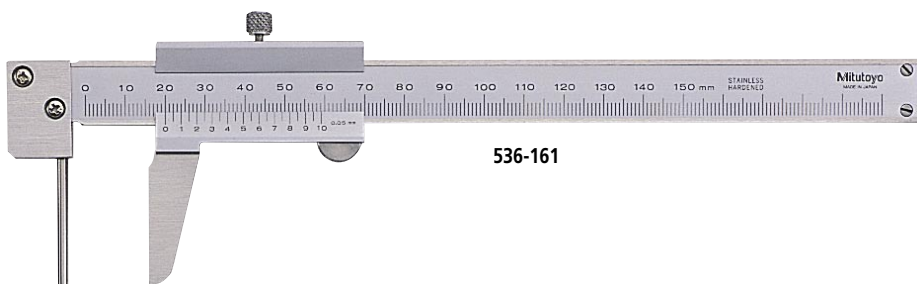
**SERIES 573, 536 — ABSOLUTE Digimatic and vernier type**

## FEATURES

- The main scale jaw is a round bar that facilitates measurements of tube wall thickness.
- With SPC data output. (series 573)



573-661



536-161

## SPECIFICATIONS

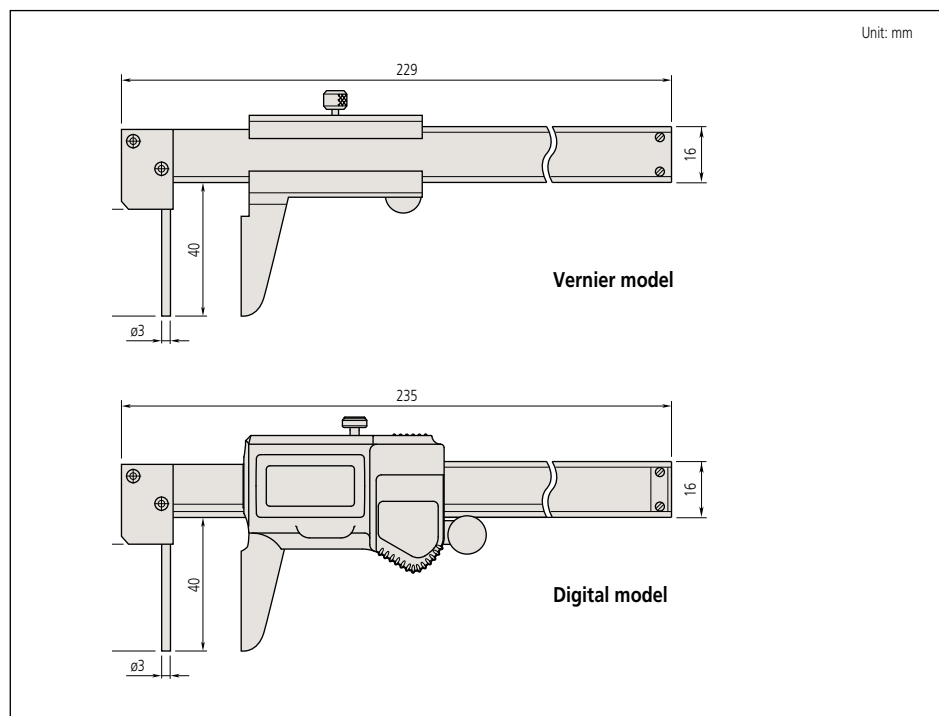
Metric	Digital model	
Range	Order No.	Accuracy
0 - 150mm	573-661	±0.05mm
0 - 150mm	573-662*	±0.05mm

\*without thumb roller

Metric		
Range	Order No.	Accuracy
0 - 150mm	536-161	±0.05mm

Inch/Metric	Digital model	
Range	Order No.	Accuracy
0 - 6"	573-761	±.002"

## DIMENSION



(Refer to the page 9 for details.)



(Refer to the page 9 for details.)

## Technical Data

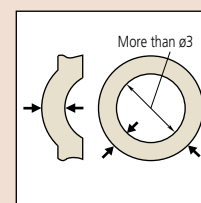
Accuracy: Refer to the list of specifications.  
(excluding quantizing error for digital models)  
Resolution\*: 0.01mm or .0005"/0.01mm  
Graduation\*\*: 0.05mm  
Display\*: LCD  
Length standard\*: ABSOLUTE electromagnetic induction  
linear encoder  
Max. response speed\*: Unlimited  
Battery\*: SR44 (1 pc.), **938882**  
Battery life\*: Approx. 3 years under normal use  
Dust/Water protection level\*: IP67  
\*Digital models \*\*Analog models

## Function of Digital Model

Origin-set, Zero-setting, Automatic power on/off, Data output, inch/mm conversion (inch/mm models)  
Alarm: Low voltage, Counting value composition error

## Optional Accessory for Digital Model

**05CZA624**: SPC cable with data switch (1m)  
**05CZA625**: SPC cable with data switch (2m)

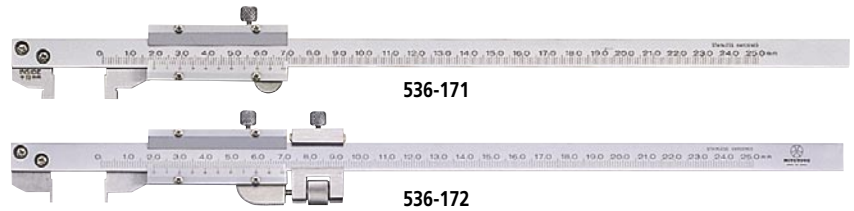


# Hook Type Vernier Caliper

## SERIES 536

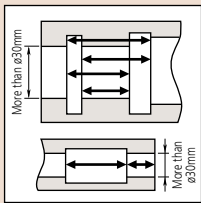
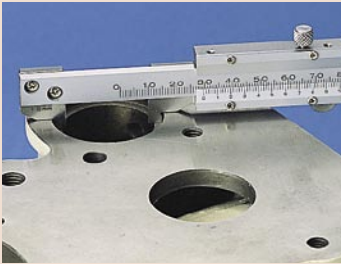
### FEATURES

- Can measure width of grooves and lands inside bores and recesses.



### Technical Data

Accuracy:  $\pm 0.03\text{mm}$   
Graduation: 0.02mm



### SPECIFICATIONS

#### Metric

Range*	Order No.	Accuracy	Remarks
0 (10) - 200mm	<b>536-171</b>	$\pm 0.03\text{mm}$	—
0 (2) - 200mm	<b>536-172</b>	$\pm 0.03\text{mm}$	with fine adjustment

\* ( ) : Minimum dimension in ID measurement

### DIMENSION

Unit: mm

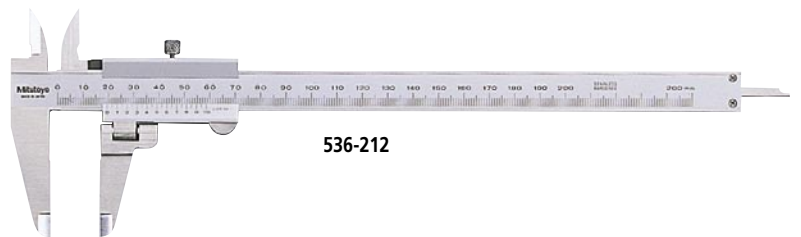
Range	L	a	b	c	d	e	f	g
536-171	320	28	—	—	12	4	5	3.5
536-172	320	28	28.5	20	12	4	1	3.5

# Swivel Vernier Caliper

## SERIES 536 — With moving jaw type

### FEATURES

- The moving jaw can be rotated to measure sectioned shafts.
- With depth bar.



### SPECIFICATIONS

#### Metric

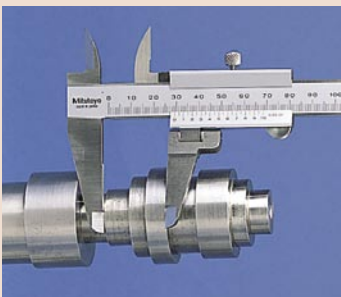
Range	Order No.	Accuracy
0 - 200mm	<b>536-212</b>	$\pm 0.05\text{mm}$

### DIMENSION

Unit: mm

### Technical Data

Accuracy:  $\pm 0.05\text{mm}$   
Graduation: 0.05mm



# ABSOLUTE Low Force Caliper

## SERIES 573

### FEATURES

- Due to the low measuring force these calipers are ideal for elastic or resilient workpieces such as plastic parts and rubber parts that standard calipers cannot measure.
- With SPC data output.



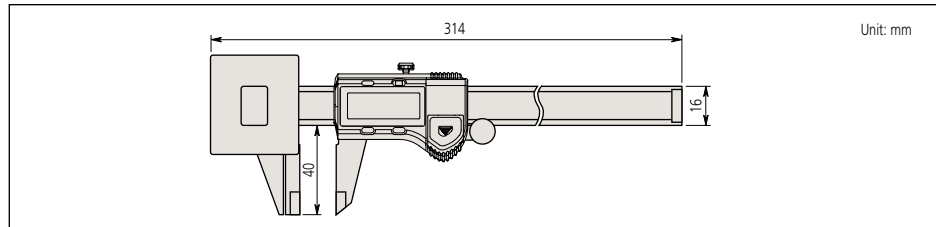
573-191-20

### SPECIFICATIONS

Metric		
Range	Order No.	Accuracy
0 - 180mm	573-191-20	±0.05mm

Inch/Metric		
Range	Order No.	Accuracy
0 - 7"	573-291-20	±.002"

### DIMENSION

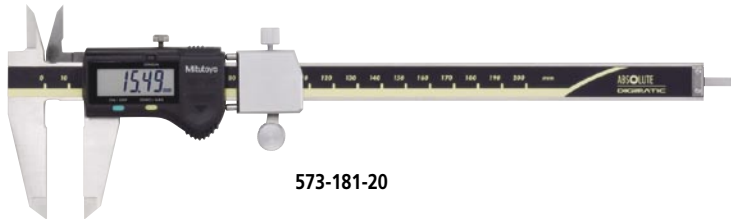


# ABSOLUTE Snap Caliper

## SERIES 573

### FEATURES

- The ABSOLUTE Digimatic snap caliper features a spring-loaded mechanism to allow quick and efficient GO/NO-GO inspection for mass production parts..
- With SPC data output.



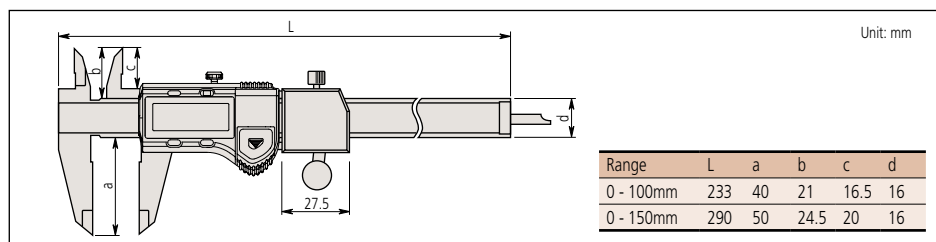
573-181-20

### SPECIFICATIONS

Metric		
Range	Order No.	Accuracy
0 - 100mm	573-181-20	±0.02mm
0 - 150mm	573-182-20	±0.02mm

Inch/Metric		
Range	Order No.	Accuracy
0 - 4"	573-281-20	±.001"
0 - 6"	573-282-20	±.001"

### DIMENSION



(Refer to the page 9 for details.)

### Technical Data

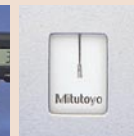
Accuracy: Refer to the list of specifications.  
(excluding quantizing error for digital models)  
Resolution: 0.01mm or .0005"/0.01mm  
Display: LCD  
Length standard: ABSOLUTE electrostatic capacitance type linear encoder  
Measuring force: 0.49N to 0.98N (50gf to 100gf)  
Jaw retraction: 0.3mm  
Max. response speed: Unlimited  
Battery: SR44 (1 pc.), **938882**  
Battery life: Approx. 3.5 years under normal use

### Function

Origin-set, Zero-setting, Automatic power on/off, Data output, inch/mm conversion (inch/mm models)  
Alarm: Low voltage, Counting value composition error

### Optional Accessory

- 959143: Data hold unit
- 959149: SPC cable with data switch (1m)
- 959150: SPC cable with data switch (2m)



To measure resilient workpieces take the measurement when the pointer is between the two index lines.

### Measurement procedures



(Refer to the page 9 for details.)

### Technical Data

Accuracy: Refer to the list of specifications.  
(excluding quantizing error for digital models)  
Resolution: 0.01mm or .0005"/0.01mm  
Repeatability: 0.01mm  
Display: LCD  
Length standard: ABSOLUTE electrostatic capacitance type linear encoder  
Measuring force: 7N to 14N (700gf to 1400gf)  
Jaw retraction: 2mm  
Max. response speed: Unlimited  
Battery: SR44 (1 pc.), **938882**  
Battery life: Approx. 3.5 years under normal use

### Function

Origin-set, Zero-setting, Automatic power on/off, Data output, inch/mm conversion (inch/mm models)  
Alarm: Low voltage, Counting value composition error

### Optional Accessory

- 959143: Data hold unit
- 959149: SPC cable with data switch (1m)
- 959150: SPC cable with data switch (2m)





(Refer to the page 9 for details.)



(Refer to the page 9 for details.)

### Technical Data

Accuracy: Refer to the list of specifications.  
(excluding quantizing error for digital models)

Resolution\*: 0.01mm or .0005"/0.01mm

Graduation\*\*: 0.05mm

Display\*: LCD

Length standard\*: ABSOLUTE electromagnetic induction linear encoder

Max. response speed\*: Unlimited

Battery\*: SR44 (1 pc.), **938882**

Battery life\*: Approx. 3 years under normal use  
(1 year: over 300mm model)

Dust/Water protection level\*: IP67

\*Digital models \*\*Analog models

### Function

Origin-set, Zero-setting, Automatic power on/off, Data output, inch/mm conversion (inch/mm models)

Alarm: Low voltage, Counting value composition error

### Optional Accessory

**05CZA624**: SPC cable with data switch (1m)

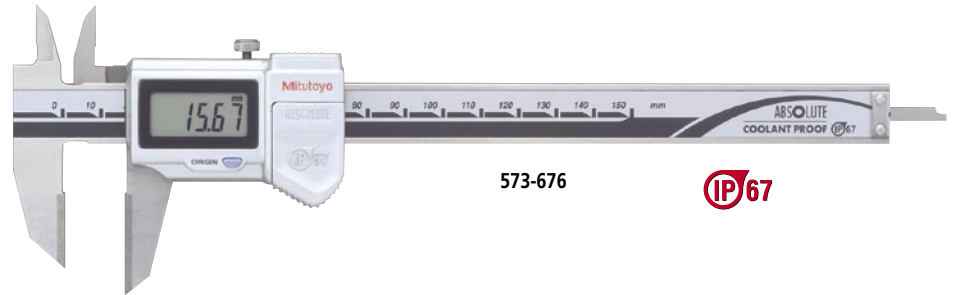
**05CZA625**: SPC cable with data switch (2m)

# Scribing Caliper

## SERIES 573, 536 — ABSOLUTE Digimatic and vernier type

### FEATURES

- The carbide-tipped jaws facilitate fine scribing on workpiece.
- With depth bar.
- With SPC data output. (series 573)

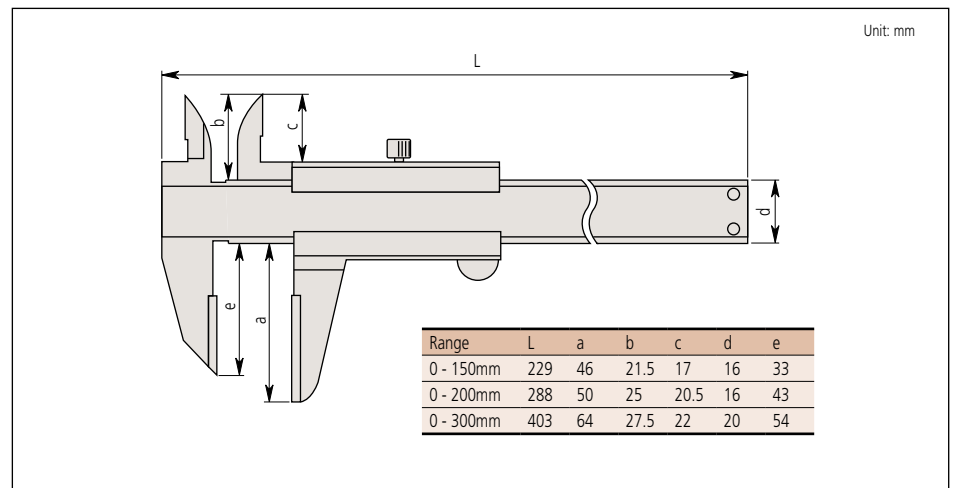


### SPECIFICATIONS

Metric	Digital model	
Range	Order No.	Accuracy
0 - 150mm	<b>573-676</b>	±0.02mm
0 - 200mm	<b>573-677</b>	±0.02mm
0 - 300mm	<b>573-679</b>	±0.03mm

Metric		
Range	Order No.	Accuracy
0 - 150mm	<b>536-221</b>	±0.05mm
0 - 200mm	<b>536-222</b>	±0.05mm
0 - 300mm	<b>536-223</b>	±0.08mm

### DIMENSION

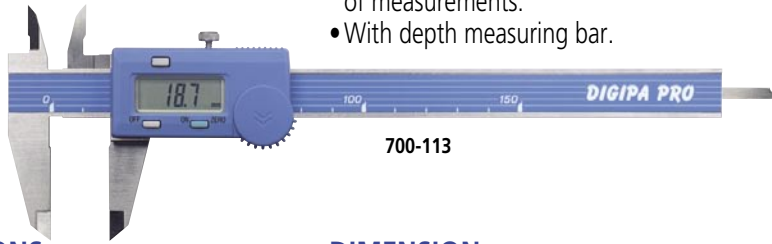


# MyCAL-Lite

## SERIES 700 — Digital Caliper for DIY

### FEATURES

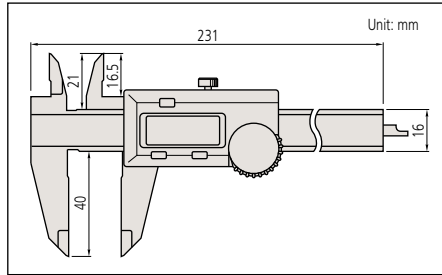
- The "MyCAL-Lite" is an ideal measuring tool for DIY.
- The LCD screen allows error-free readout of measurements.
- With depth measuring bar.



### SPECIFICATIONS

Inch/Metric		
Range	Order No.	Accuracy
0 - 6"	700-113	±.005"

### DIMENSION



### Technical Data

Accuracy: Refer to the list of specifications. (excluding quantizing error for digital models)  
 Resolution: 0.1mm  
 Display: LCD  
 Length standard: Electrostatic capacitance type linear encoder  
 Max. response speed: 1800mm/s  
 Battery: SR44 (1 pc.), **938882**  
 Battery life: Approx. 2 years under normal use

### Function

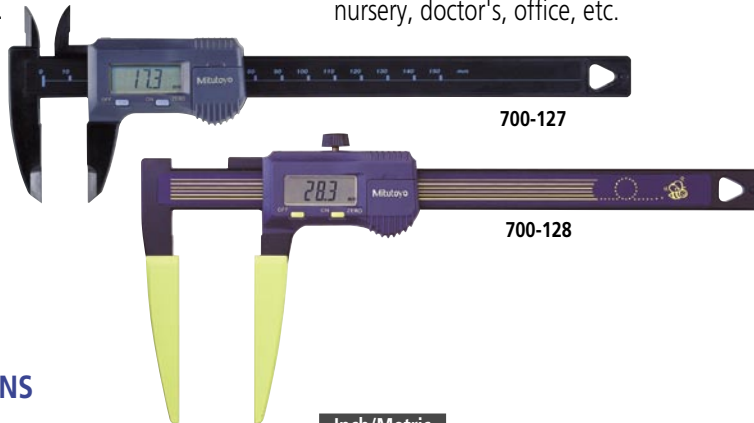
Zero-setting, Power on/off  
 Alarm: Low voltage, Counting value composition error

# Plastic Caliper

## SERIES 700 — Digital Caliper for DIY

### FEATURES

- Plastic construction for durable and lightweight use.
- Also ideal for use in Lab, wood-shop, nursery, doctor's, office, etc.



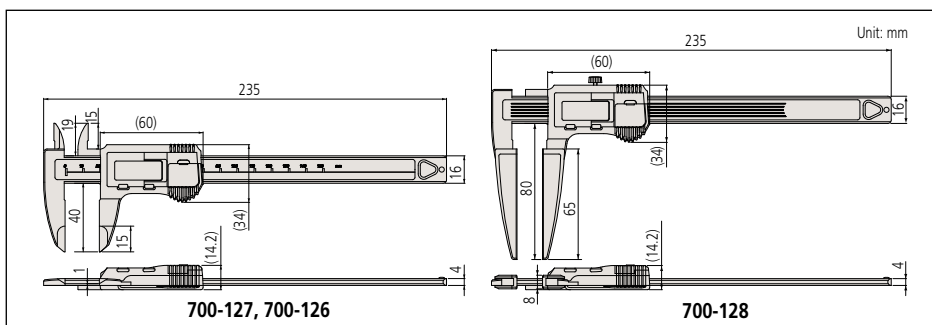
### SPECIFICATIONS

Metric		
Range	Order No.	Accuracy
0 - 150mm	700-127	±0.2mm
0 - 150mm	700-128*	±0.5mm

Inch/Metric		
Range	Order No.	Accuracy
0 - 6"	700-126	±.008"

\*Deep throat type without inside measuring jaws.

### DIMENSION



### Technical Data

Accuracy: Refer to the list of specifications. (excluding quantizing error for digital models)  
 Resolution: 0.1mm or .001"/0.1mm  
 Display: LCD  
 Length standard: Electrostatic capacitance type linear encoder  
 Max. response speed: 1800mm/s  
 Battery: SR44 (1 pc.), **938882**  
 Battery life: Approx. 2 years under normal use

### Function

Zero-setting, Power on/off  
 Alarm: Low voltage, Counting value composition error





## **X-ON Electronics**

Largest Supplier of Electrical and Electronic Components

*Click to view similar products for [mitutoyo](#) manufacturer:*

Other Similar products are found below :

[2109S-10](#) [530-104](#) [103-129](#) [148-201](#) [500-171-30](#) [148-104](#) [530-118](#) [293-832](#) [959150](#) [2046SB](#) [543-391B](#) [500-184-30](#) [102-301](#) [575-123](#)  
[500-196-30](#) [2046S](#) [7301](#)