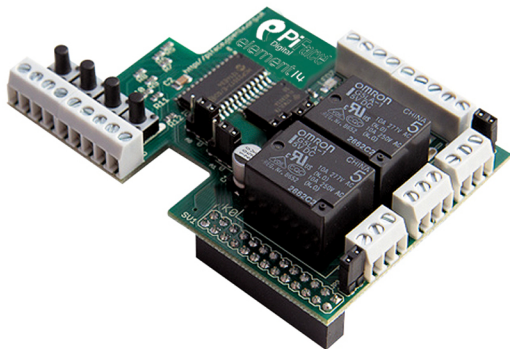


# PiFace Digital

Connect Your Raspberry Pi to the World



PiFace Digital is designed to plug on to the GPIO of your Raspberry Pi, allowing you to sense and control the real world. With PiFace Digital you can detect the state of a switch, for example from a door sensor, a pressure pad or any number of other switch types. Once this state has been detected, you can write your own software for Raspberry Pi that determines how to respond to that switch state. You can drive outputs to power motors, actuators, LEDs or anything you can imagine.

## Applications

- Experiments with Scratch
- Light gates
- Detectors and alarms
- Birdbox sensor
- Simon (game)
- Game controllers

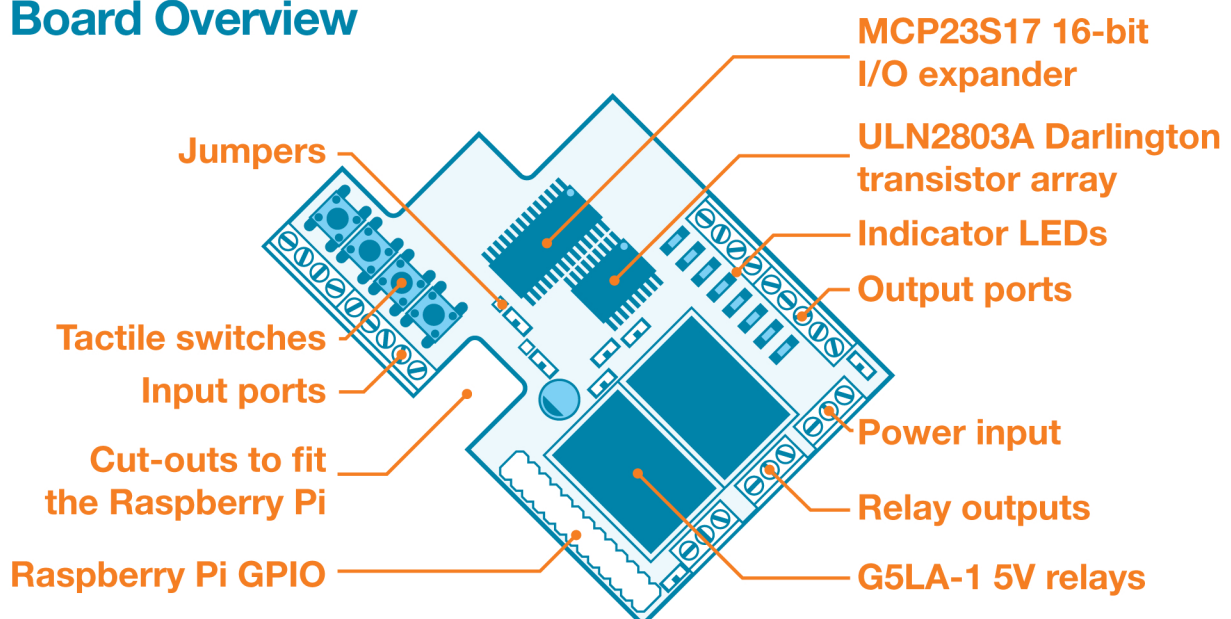
For more applications, tutorials and software visit:

[element14.com/raspberrypi](http://element14.com/raspberrypi)

## Features

- Plugs directly onto Raspberry Pi GPIO socket
- 2 changeover relays
- 4 tactile switches
- 8 digital inputs
- 8 open-collector outputs
- 8 LED indicators
- Easy to program in Python, Scratch and C
- Graphical emulator and simulator

## Board Overview



Brought to you exclusively by

element14  
element14.com

## **X-ON Electronics**

Largest Supplier of Electrical and Electronic Components

*Click to view similar products for [piface](#) manufacturer:*

Other Similar products are found below :

[PIFACE DIGITAL 2](#) [PIFACE CONTROL & DISPLAY 2](#)