



Date  
8-26-09

DRN BY  
MEA

TITLE  
SMALL CHARGER  
CLIP

ISSUE NO.

0  
8-26-09

1  
9-9-09

PART NO.  
501774

PROJ. NO.

This drawing is not to be disclosed to a third party without the authority from the company ©

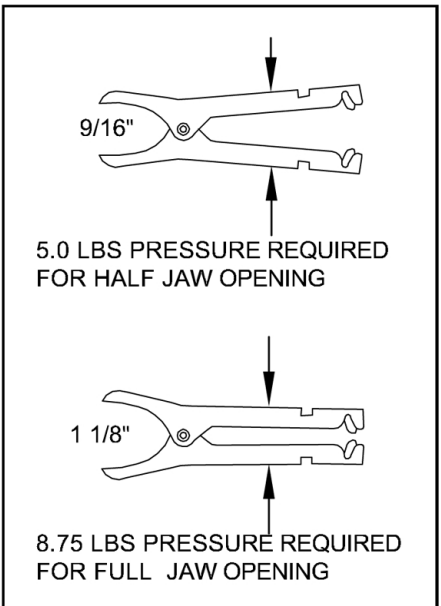
MAT'L  
STEEL

SCALE  
NONE

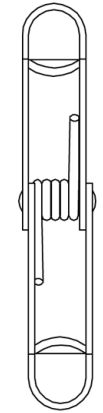
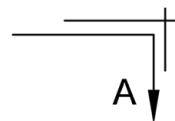
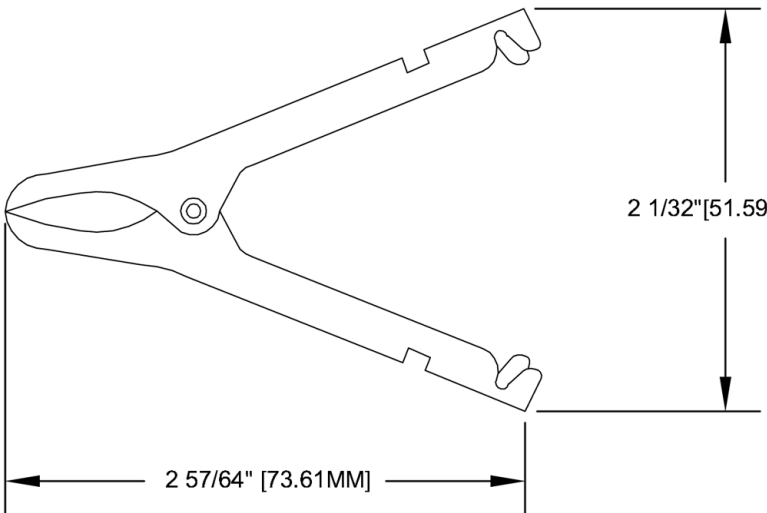
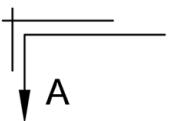
CURRENT RATING:  
50 AMP

501774\_B = 501774 CLIP & 400010\_B INSULATORS INSTALLED  
501774\_R = 501774 CLIP & 400010\_R INSULATORS INSTALLED

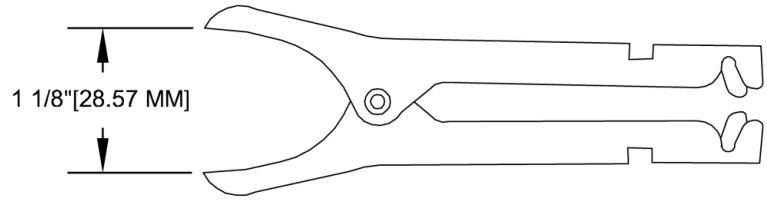
FEDERAL SPEC : CID AA59466-010



SPRING TESTED PER FED. SPEC. #WC440B  
FORCE APPLIED ON THE CENTER OF SPRING AXIS  
FINISH: COPPER PLATED



15/32" [11.90 MM]



SECTION A-A

ASSEMBLY NO.

PACKAGING :

PRINTING AS ILLUSTRATED

CONCENTRICITY:

ANGLES

## **X-ON Electronics**

Largest Supplier of Electrical and Electronic Components

*Click to view similar products for [adaptive manufacturer](#):*

Other Similar products are found below :

[129303/OS](#) [501849C\\_B](#) [501790C](#) [501996CG](#) [501996C](#) [P1600-DK02](#) [501789](#) [502008C](#) [501997](#) [P1601-DK02](#) [400017\\_B](#) [501795](#)