

# INTERFACE MODULES & SUPPORTS

## Euro series 107mm Empty Modular Interface Support

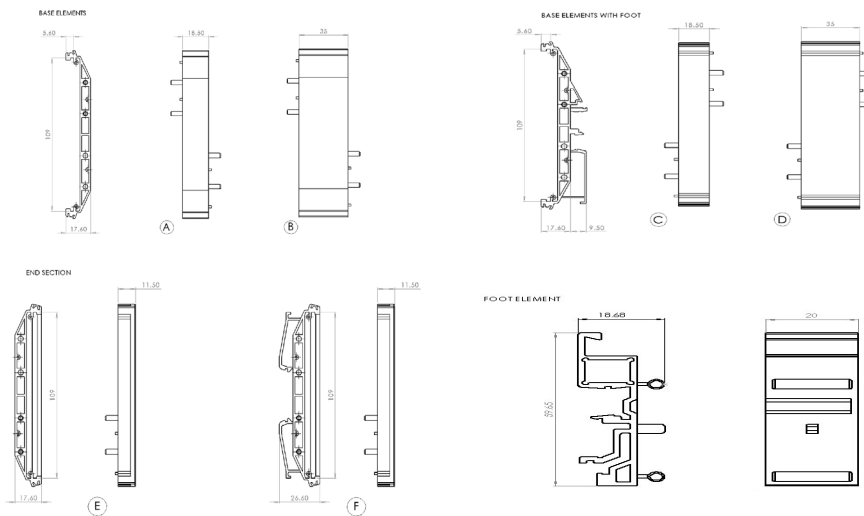
- Suitable for 107mm width PCB's
- Modular Construction for easy assembly
- Snap fit Din Rail mounting fixtures
- Moulded in green UL 94V0 flame retardant PA
- Terminal blocks available in same colour
- Integral marker facility
- Integral Din rail mounting clip



PCB LENGTH	END SECTION 11.5mm	BASE ELEMENT		PART COUNT
		18.5mm	35mm	
20mm	2			2
38.5mm	2	1		3
55mm	2		1	3
73.5mm	2	1	1	4
90mm	2		2	4
108.5mm	2	1	2	5
125mm	2		3	5
143.5mm	2	1	3	6
160mm	2		4	6
178.5mm	2	1	4	7
195mm	2		5	7
213.5mm	2	1	5	8
230mm	2		6	8
248.5mm	2	1	6	9
265mm	2		7	9

TYPE NO.	DESCRIPTION	WIDTH
CIME/E/BE1850S	Base element	18.5mm
CIME/E/BE3500S	Base element	35mm
CIME/E/BEF1850S	Base element with foot	18.5mm
CIME/E/BEF3500S	Base element with foot	35mm
CIME/E/SE1000S	End Section	11.5mm
CIME/E/SEF1000S	End Section with foot	11.5mm

The Table above shows how, for a given PCB Length, modules can be selected to make an interface support



### Wall Mounting Plates

- Flush and raised surface mounting plates
- Press into sides of end section without tool
- Use foot element on long lengths with raised plates

TYPE NO	STYLE
CIME/E/MPF	Flush
CIME/E/MPR	Raised



## X-ON Electronics

Largest Supplier of Electrical and Electronic Components

*Click to view similar products for [Accessories for Robotics and RC](#) category:*

*Click to view products by [Camden](#) manufacturer:*

Other Similar products are found below :

[56T705](#) [015-9516-002](#) [01.001.6453.0](#) [641763-8](#) [CW106-01X](#) [CW30101A](#) [CW31701A](#) [D2041839](#) [70.352.0628.0](#) [73.353.4028.1](#) [FB22001A](#)  
[FB30601A](#) [9009030000](#) [9501](#) [121587-0026](#) [1218510-1](#) [1218629-4](#) [1218630-4](#) [1261000A00M001](#) [128-26-5](#) [RFI77-14](#) [1367251-2](#) [14](#) [1-](#)  
[449604-1](#) [1460g4](#) [1470g4](#) [DV0PM20034](#) [MS27488-16-1](#) [MS3057-12A W/B](#) [MS3057-8A-624](#) [MS600-2-XP-1A](#) [MS-602-GEE-14-07C](#)  
[MS603-12-01A](#) [MS90376-14R](#) [MS90376-16RB](#) [MTB1-11PH3](#) [1676610000](#) [1A9224 REV A](#) [210-115](#) [CA20L22](#) [2227383-1](#) [225-0090-000](#)  
[225-0098-000](#) [KA-89-82](#) [CB20201X](#) [KC-89-104](#) [CB30601A](#) [CB31201A](#) [236-600](#) [CBC120210-752](#)