

**HPF SERIES**

**(5.08 mm) .200"**

# POWER SOCKETS

**SPECIFICATIONS**

For complete specifications and recommended PCB layouts see [www.samtec.com?HPF](http://www.samtec.com?HPF)

**Insulator Material:**

Black LCP

**Contact Material:**

BeCu

**Plating:**

Sn over

50 μ" (1.27 μm) Ni

**Operating Temp Range:**

-55 °C to +105 °C

**Voltage Rating:**

850 VAC/1200 VDC

**Insertion Depth:**

(3.68 mm) .145" to (8.26 mm)

.325" (.368" (9.35 mm) plus

board thickness minimum for

bottom entry)

**Wiping Distance:**

(0.38 mm) .015"

**Standard Creepage:**

(2.82 mm) .111" (without -LC)

(1.38 mm) .054" (with -LC)

**Standard Clearance:**

(2.5 mm) .098" (without -LC)

(1.05 mm) .041" (with -LC)

**Lead-Free Solderable:**

Yes

**SMT Lead Coplanarity:**

(0.15 mm) .006" max (02-10)\*

(0.20 mm) .008" max (11-20)\*

\*(.004" stencil solution

may be available; contact

IPG@samtec.com)

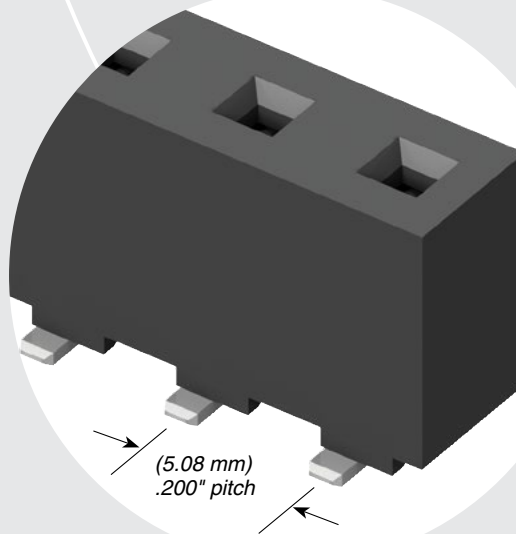
**RoHS Compliant:**

Yes

**Mates with:**

HPM, HPW

HPF/HPM	
PINS	CURRENT RATING (PER CONTACT)
1	16.6 A
2	14.4 A
3	13.2 A
4	12.7 A
20	8.9 A



Surface Mount  
or  
Through-hole

**RUGGEDIZED**  
BY SAMTEC

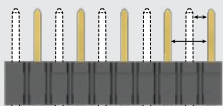
- Three-finger Power Eye contact
- Locking clip option

**RECOGNITIONS**

For complete scope of recognitions see [www.samtec.com/quality](http://www.samtec.com/quality)

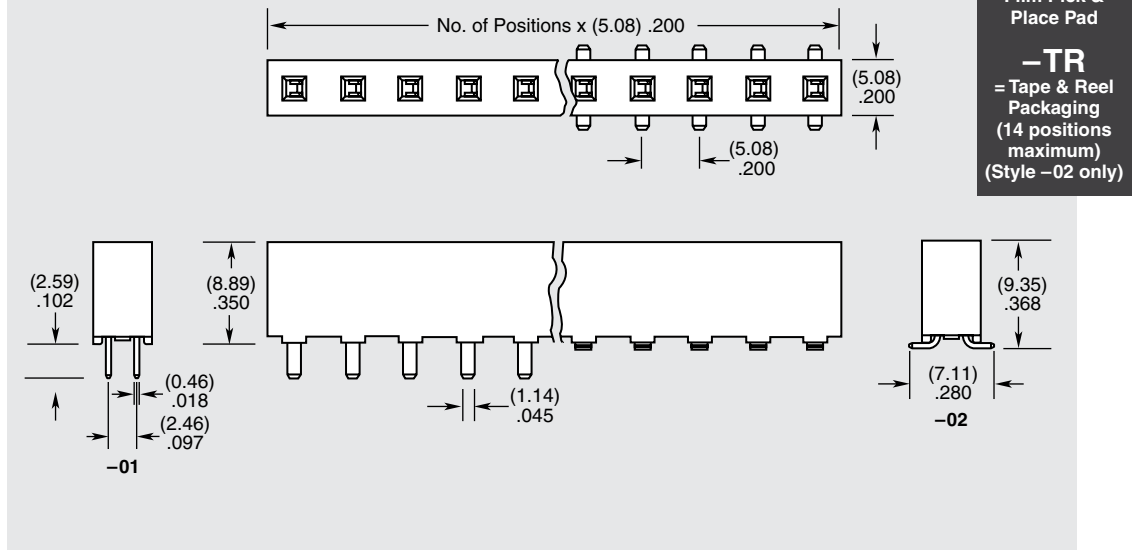
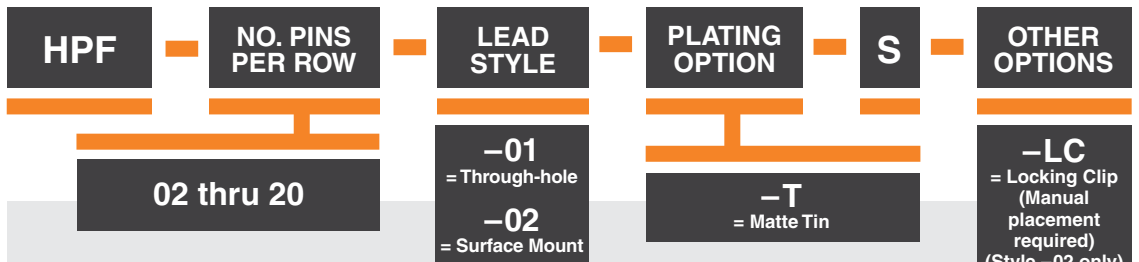


**CREEPAGE AND CLEARANCE**



Selectively loading contacts achieves customer specific creepage and clearance requirements.  
Contact [asp@samtec.com](mailto:asp@samtec.com)

**Note:**  
Some lengths, styles and options are non-standard, non-returnable.



Due to technical progress, all designs, specifications and components are subject to change without notice.

## X-ON Electronics

Largest Supplier of Electrical and Electronic Components

*Click to view similar products for [DC Power Connectors](#) category:*

*Click to view products by [Samtec](#) manufacturer:*

Other Similar products are found below :

[1600206-1](#) [163-0301-EX](#) [163-0302](#) [163-0308-EX](#) [163-0310-EX](#) [163-1061-EX](#) [163-1100-EX](#) [163-4024](#) [163-4117-EX](#) [163-4118-EX](#) [163-5005-E](#) [163-7421](#) [163-MJ22-EX](#) [171-0721-EX](#) [171-0725-EX](#) [171-3118-EX](#) [171-3210-E](#) [171-3221-EX](#) [171-3222-EX](#) [171-A1326-EX](#) [173-23507-ST-EX](#) [173-5521TIP-EX](#) [173-6330TIP-EX](#) [KLDVX-SMT-02-ATR](#) [KLDX-0201-AHT-1](#) [KLDX-0202-AHT](#) [KLDX-SMT-0202-BP](#) [KLDX-SMT-0202-BPTR](#) [163-0179-EX](#) [163-0307-E](#) [163-0309-EX](#) [163-4007-EX](#) [163-4015-EX](#) [163-4025](#) [163-4119-E](#) [163-4303-E](#) [16PJ101-EX](#) [171-0702-EX](#) [171-0722-E](#) [171-0726-EX](#) [171-2122-EX](#) [171-3216-EX](#) [171-3218-EX](#) [171-3219-EX](#) [171-3220-EX](#) [171-7391](#) [173-3413-ST-EX](#) [173-4017-ST-EX](#) [RAPCBRK](#) [K596](#)