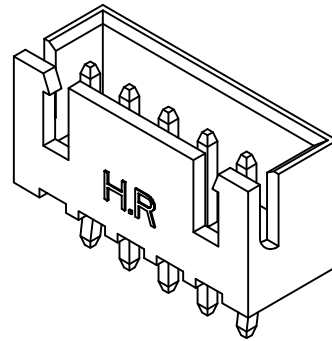


02P



Ordering Information:

A2501WV-XP *
1 2

1.Part No.

2.Style:

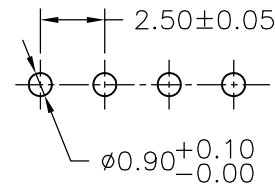
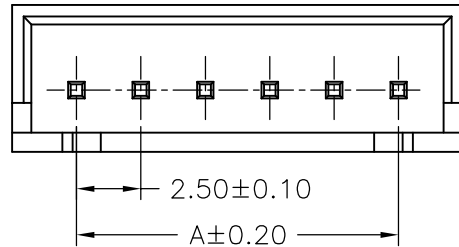
1-Type 1

2-Type 2

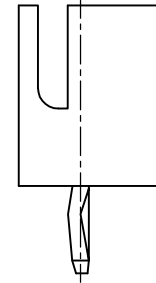
3-Type 3

SPECIFICATIONS

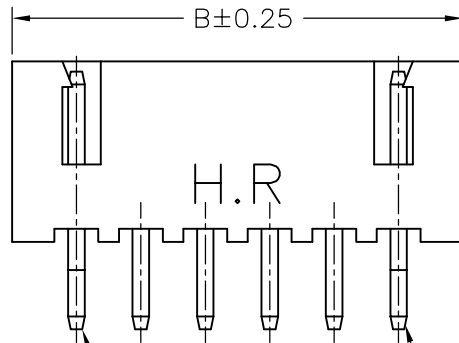
Current Rating: 3A AC,DC
Voltage Rating: 250V AC,DC
Temperature Range: -25°C ~ +85°C
Contact Resistance: 10mΩ Max
Insulation Resistance: 1000MΩ Min
Withstanding Voltage: 1000V AC/minute
Pin Material: Brass/Tin-plated
Material: Nylon 66,UL94V-0
Color: Natural(White)



P.C.B LAYOUT

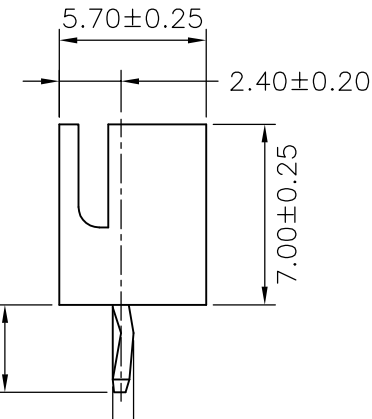


TYPE 2

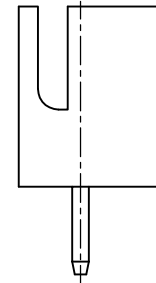


PIN 0.64 SQ

Circuit 1 0.80±0.20



TYPE 1



TYPE 3

Ordering Information & Dimensions

PART NO.	Dimensions	
	A	B
A2501WV-02P	2.50	7.50
A2501WV-03P	5.00	10.00
A2501WV-04P	7.50	12.50
A2501WV-05P	10.00	15.00
A2501WV-06P	12.50	17.50
A2501WV-07P	15.00	20.00
A2501WV-08P	17.50	22.50
A2501WV-09P	20.00	25.00
A2501WV-10P	22.50	27.50
A2501WV-11P	25.00	30.00
A2501WV-12P	27.50	32.50
A2501WV-13P	30.00	35.00
A2501WV-14P	32.50	37.50
A2501WV-15P	35.00	40.00
A2501WV-16P	37.50	42.50
A2501WV-17P	40.00	45.00
A2501WV-18P	42.50	47.50
A2501WV-19P	45.00	50.00
A2501WV-20P	47.50	52.50

UNIT	SCALE	SHEET	TITLE:
mm		1 of 1	2.50mm PITCH 180° WAFER
DRAWN BY	APPROVED BY		
李勤	董正一		
2006.05.17	2006.05.17		
GENERAL TOLERANCE			
A1	REVISE	2007.03.07	X. X±0.25 ANGLE±
A0	NEW RELEASE	2006.05.17	X. XX±0.15
REV.	DESCRIPTION	DATE	X. XXX±0.05
DRAW NO.:			REV.
A2501WV-XPX			A1

X-ON Electronics

Largest Supplier of Electrical and Electronic Components

Click to view similar products for [I/O Connectors](#) category:

Click to view products by [Joint manufacturer](#):

Other Similar products are found below :

[571763P](#) [58098-0628](#) [61-168618-12P](#) [D38999/20FJ29SB L/C](#) [72.250.1628.2](#) [72.250.2428.2](#) [74720-0505](#) [747680210](#) [76.350.0729.0](#) [76871-1403](#) [FCN-244F080-G/1](#) [FCN-260A9920](#) [FCN-268D024-G/2F#10X-R10](#) [MP-5T180MUNNA-005](#) [MP-5XRJ45UNNB-003](#) [PCS-E50FA](#) [PCS-XE26LKA](#) [PCS-XE26MA+](#) [PCS-XES68MS+](#) [G38A71314B](#) [91-569719-35R](#) [9776-18-6](#) [DX40-50P\(55\)](#) [1571250010](#) [157-22500-3](#) [MS3471L14-19P L/C](#) [171224-6031](#) [1888020-8](#) [91-569786-35H](#) [91-569786-35M](#) [91-644626-35P](#) [172501-4002](#) [172501-6002](#) [FCN-260C008-A/L0](#) [FCN-260C024-AL0](#) [FCN-268D008-G/1K](#) [2000314-1](#) [200331-1](#) [2007498-2](#) [PCR-E28LMDAG1+](#) [PCR-E36FC+](#) [PCS-E28FS+](#) [PCS-XE26SLFD+](#) [PCS-XE26SLFDT+](#) [G38A71214B](#) [HDRA-E68W1LFDTC-SL+](#) [HDR-E14MSG1+](#) [R88A-CNK81S](#) [CRT1-ATT02](#) [54182-0605](#)