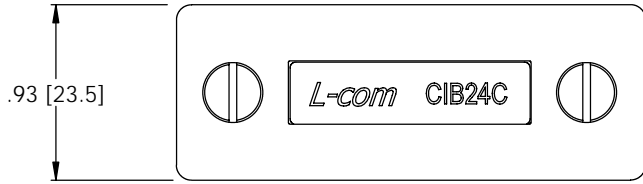
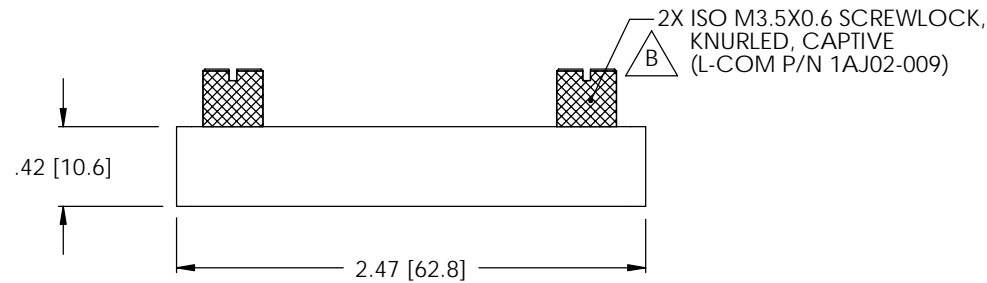


THE INFORMATION CONTAINED IN THIS DRAWING IS THE SOLE PROPERTY OF L-COM, INC. ANY REPRODUCTION IN PART OR WHOLE WITHOUT THE WRITTEN PERMISSION OF L-COM, INC. IS PROHIBITED.

REVISIONS			
REV	DESCRIPTION	DATE	APPROVED
A	RELEASE FOR PRODUCTION	10/26/01	TJC
B	ADDED L-COM P/N TO SCREW DESCRIPTION (ECN #1120)	5/7/02	TJC
.	.	.	.
.	.	.	.

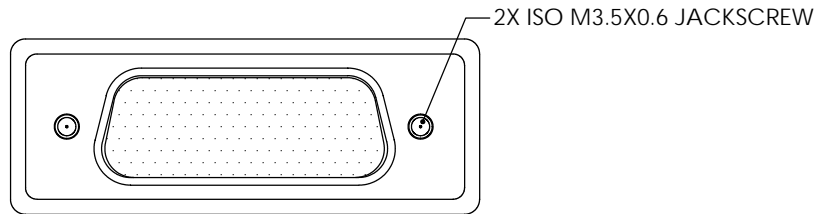


.93 [23.5]



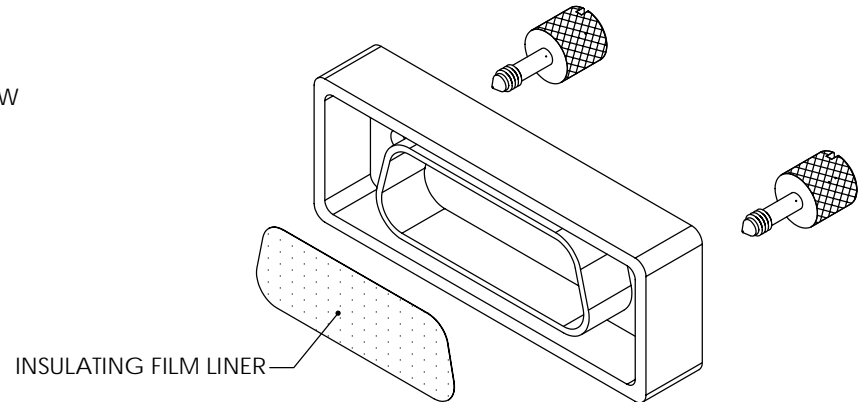
.42 [10.6]

2.47 [62.8]



NOTES:

- COVER FITS ALL L-COM FEMALE IEEE-488 CABLE AND ADAPTOR CONNECTORS AND MOST SIMILAR PANEL CONNECTORS.
- MATERIALS:
COVER: DIE-CAST ALUMINUM ALLOY, MATTE NICKEL PLATE FINISH
SCREWS: STEEL, BLACK OXIDE FINISH
INSULATING FILM: POLYESTER
- COVER MAKES CONDUCTIVE CONTACT WITH METAL SHELL OF CONNECTOR FOR EFFECTIVE EMI/RFI SHIELDING.



UNLESS OTHERWISE SPECIFIED, DIMENSIONS ARE IN INCHES. TOLERANCES ARE:
X ± .1
XX ± .05
XXX ± .005
CABLE LENGTH TOLERANCE
<300" ±5% >300" ±2%

APPROVALS	DATE
DRAWN	
TJC	10/22/01
CHECKED	
DFP	10/24/01
APPROVED BY	
CM	10/26/01

CONFIGURATION DETAILS OF UNDIMENSIONED FEATURES MAY VARY

L-com
CONNECTIVITY PRODUCTS
45 BEECHWOOD DRIVE
NORTH ANDOVER, MA
01845

PRODUCT DESCRIPTION
IEEE-488 ACCESSORIES

DRAWING TITLE
OUTLINE DRAWING

SIZE	FSCM NO.	DWG. NO.	REV.
A	43321	CIB24C-OD1	B
SCALE 1:1	CAD FILE: CIB24C-OD1.SLDDRW	SHEET 1 OF 1	

X-ON Electronics

Largest Supplier of Electrical and Electronic Components

Click to view similar products for [l-com](#) manufacturer:

Other Similar products are found below :

[FOA-550A](#) [UMC-201](#) [CSMN50MF-5](#) [CSMNB15MF-15](#) [TRD815RA2BL-5](#) [CA3A-90DA-1M](#) [CTLF3VGAMM-20](#) [HDCAMM-3](#)
[U3A00014-03M](#) [CSMT15MF-10](#) [CSMT15MM-15](#) [CSMT15MM-25](#) [CSPL15MF-50](#) [CSPL25MF-25](#) [CSPL9MF-10](#) [CSPL9MF-5](#)
[CSPL25MF-5](#) [CSPL25MF-2.5](#) [AL-IPEPS](#) [NB201611-10F-1](#) [TDG1026KC5-MNL](#) [NB121005-10F](#) [TRD855SRA6DBL-10M](#)
[TRD855SRA7DBL-1M](#) [TRD855SRA7DBL-10M](#) [U2A00017-05M](#) [PR175SCDLCQ24](#) [TRG508-T4T-3M](#) [TRA5261-15F](#) [TRA5261S-1F](#)
[TRA6261-1F](#) [USBBFT](#) [DGB25M](#) [HG2403RD-RSF](#) [CASATAL-18](#) [CSM25MM-10](#) [CSM37MF-10](#) [CSUSB-100](#) [CA3A-90RA-1M](#) [CA3A-](#)
[90RMICB-1M](#) [U2A00003-3M](#) [U3A00003-05M](#) [U2A00008-12I](#) [U3A00007-075M](#) [U3A00007-1M](#) [HGV-903U](#) [CSMT15MF-5](#)
[CSMT15MM-50](#) [CSPL15MF-25](#) [LPXT-WP-PMT](#)