

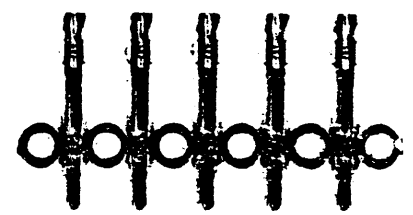
DL CONTACTS FOR ZERO INSERTION
FORCE CONNECTORS
Order Code 152-052 TO 152-055

Farnell
Technical
Data
Service

The DL 'centre carrier contacts are being phased out in favour of 'T carrier' contacts.

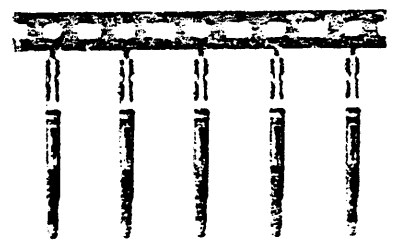
CENTRE CARRIER

- o "Donut" style carrier strip goes through centre of contact.
- o 3 contacts covering 18-28 Awg.
- o Rough edges on loose pieces.
- o "Donuts" foul up semi-automatic crimping equipment.



T-CARRIER

- o T-carrier strip runs along tip of contact.
- o No rough edges no foul up of semi-automatic crimping equipment.
- o 2 contacts covering 24-32 Awg equates to a better, tighter crimp.



OLD FEC ORDER CODES - CENTRE CARRIER

<u>CABLE SIZE</u>	<u>CONTACT</u>	<u>SUITABLE CRIMP TOOL</u>
24 to 28 Awg	140-980 (030-2064-010)	140-982 (CCT-DL)

REPLACEMENT FEC ORDER CODES - T CARRIER

<u>CABLES SIZE</u>	<u>CONTACT</u>	<u>SUITABLE CRIMP TOOL</u>
24 to 26 Awg	152-052 (030-2410-001)	152-054 (CCT-DLT)
28 to 32 Awg	152-053 (030-2416-001)	152-055 (CCT-DLT1)

NOTE :- Centre carrier 24 - 28 Awg replaced by two T carrier contacts.
Numbers in brackets are manufacturers part numbers.

ITT Cannon
SANTA ANA, CA. 92705

APPLICATION AND MAINTENANCE
FOR CANNON HAND CRIMP TOOLS
NO'S CCT-DLT, 995-0002-154
CCT-DLT-1, 995-0002-084
CCT-DL-3, 995-0001-903

INSTRUCTION SHEET

NO. 370-0017-000

Released MAY, 1990

INTRODUCTION

These tools are designed to crimp the "DL" series contacts listed in Figure 5. All three tools feature a contact locator, positive crimp height stop and a full cycle ratchet release mechanism. See Section I for proper use of these tools.

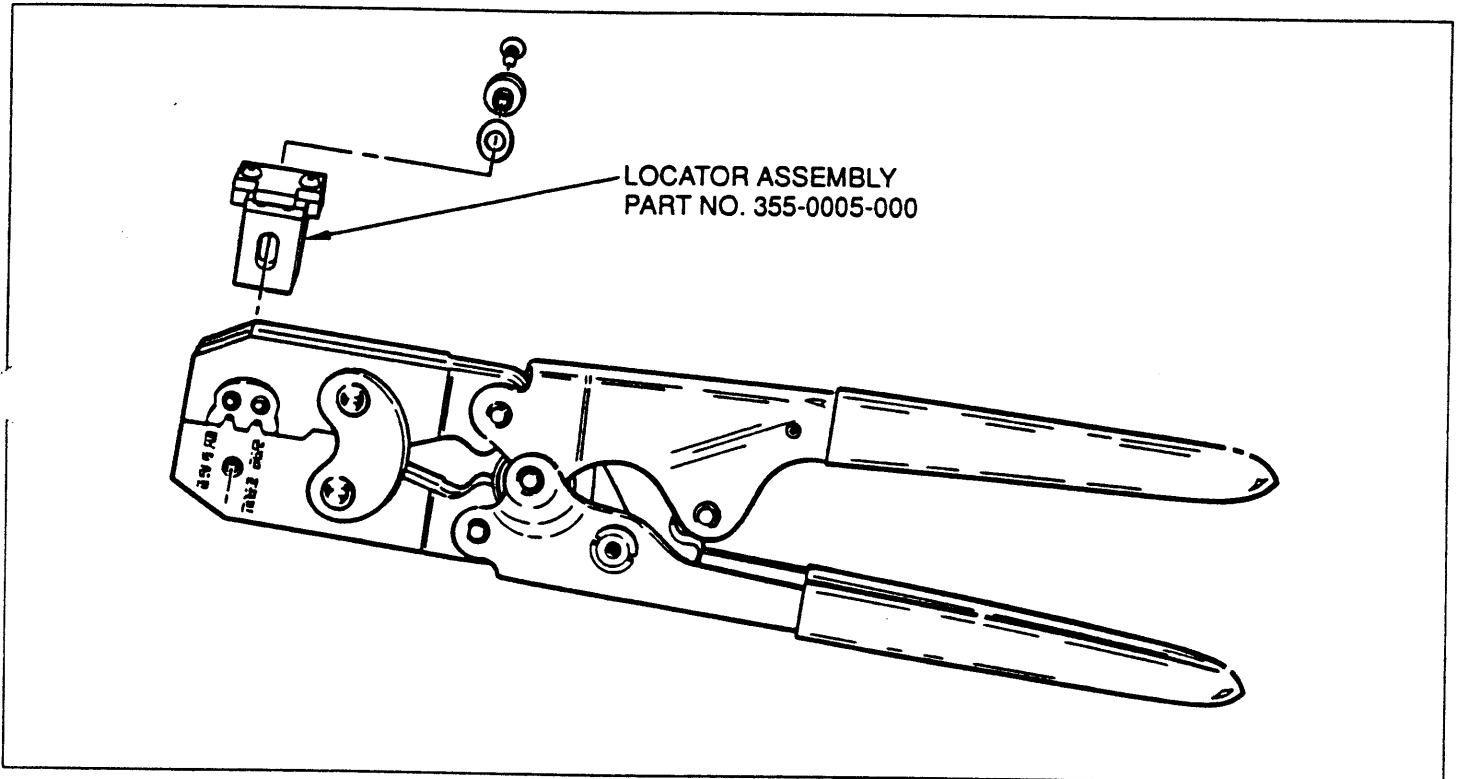


FIGURE 1

Section I Application

1. Strip wire to length specified in Figure 5.
2. Place contact in appropriate locator nest as indicated by wire size.
3. Partially close tool (one of two clicks) to hold contact. Insert wire into contact until it touches stop (See Figure 2). While holding wire in place close tool completely until ratchet releases. Open handles and remove contact.

NOTE:

In emergency, the tool can be opened prematurely by releasing the ratchet pawl with a small screwdriver (See Figure 3).

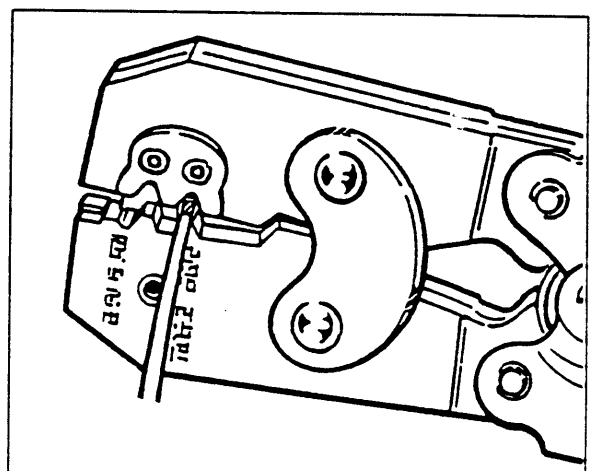


FIGURE 2

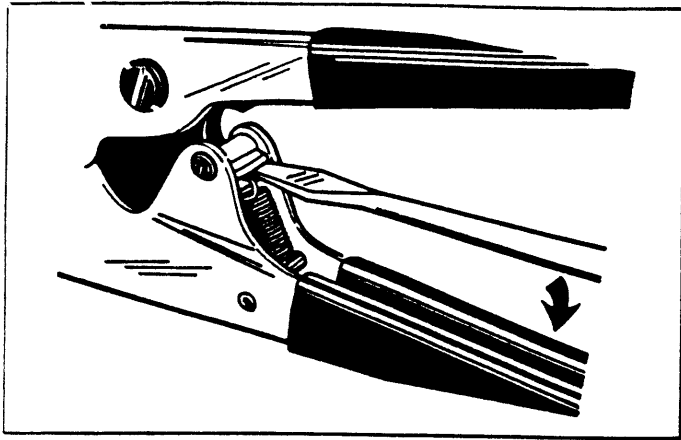


FIGURE 3

Section III - Quality Control

1. Check that stripping process is not cutting any wire strands.
2. Check that wire is properly positioned in contact (See Figure 4).
3. Check contact straightness after crimping. Maximum allowable bend is 2° in any direction.
4. Randomly check integrity of crimp by measuring wire retention force. Place the contact in an appropriate holding fixture and pull on wire with a tensile force gauge until the wire breaks or separates from contact. Measured force must meet or exceed the minimum tensile values listed in Figure 5.

Section II - Maintenance

1. Periodically clean the crimp jaws with a brush or cotton swab and inspect for excessive wear or damage.
2. Check that ratchet is functioning properly.
3. Apply a drop of light weight oil to all pivot points.
4. Check that locator is free to slide.

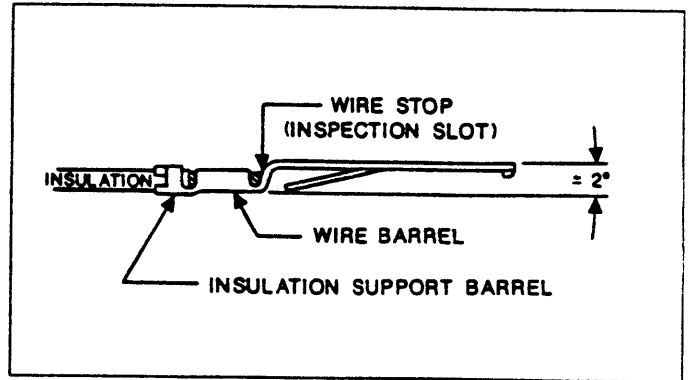


FIGURE 4

Tool/Part Number	Contact Number		Wire Strip Length (Ins.)	AWG	Min. Tensile (Lbs.)
	Loose	Reel			
CCT-DL-3 995-0001-903	030-2415-001	110238-0402	.160	18	30
	030-2415-003	110238-0481		20	19
	030-2493-001	110238-0485			
CCT-DLT 995-0002-154	030-2409-001	110238-0400	.130	20	19
	030-2409-003	110238-0479		22	12
	030-2491-001	110238-0483			
	030-2410-001	110238-0401	.130	24	8
	030-2410-003	110238-0480		26	5
	030-2492-001	110238-0484			
CCT-DLT-1 995-0002-084	030-2416-001	110238-0403	.130	28	3
	030-2416-003	110238-0482		30	1.5
	030-2494-001	110238-0486		32	1

FIGURE 5

X-ON Electronics

Largest Supplier of Electrical and Electronic Components

Click to view similar products for [itt manufacturer](#):

Other Similar products are found below :

[BKAF3-68102-25](#) [MJSR-34PL61](#) [096520-0863](#) [096520-0927](#) [153205-3053](#) [096522-0534](#) [097391-0281](#) [MDM-37PCBR-F222](#) [CA3108E14S-5PBA176A232](#) [MJSR-42PH003](#) [CV3456L28-15P](#) [KPSE06F20-41SA206F0](#) [CB2-18-3SCA232](#) [MS3106E22-14P](#) [097414-0074](#) [130680-0000](#) [CT6E18-11SCA206](#) [CA3101E10SL-4SF80DN](#) [MS3100F14S-7S](#) [CA3101E10SL-4PBA176F42](#) [053513-4377](#) [051212-0001](#) [MS3101E181SW](#) [980-8001-545](#) [CAR3102A20-27SX](#) [024251-0016-R](#) [024253-0025](#) [024265-0001](#) [024270-0015](#) [024271-0022](#) [024273-0043](#) [024288-0001](#) [M24308/24-21F](#) [CT1F22-7SS](#) [CT2-20-23SWS](#) [CT2-20-23SXS](#) [CT2-36-10PCAU](#) [CT6-24-11PSA206](#) [CT6F36-10PCA152](#) [CT6F9767-14-4-14S-5PC](#) [CT6T9767-14-4-14SA7SS](#) [D38999/20FG16PA-LC -](#) [MD1-21PS](#) [MDM-15PH001B-A174](#) [MDM-15PH003B-A174](#) [MDM-21SCBR-A174](#) [MDM-21SCBRP-A174](#) [MDM-21SH003B](#) [MDM25PH003BF222](#) [MDM-31SBRP](#)