

Features

- Permanickel contact
- Stainless steel 1/4" diameter shaft
- Gold plated terminals
- Internal tracking surfaces gold plated
- Precision winding with excellent linearity

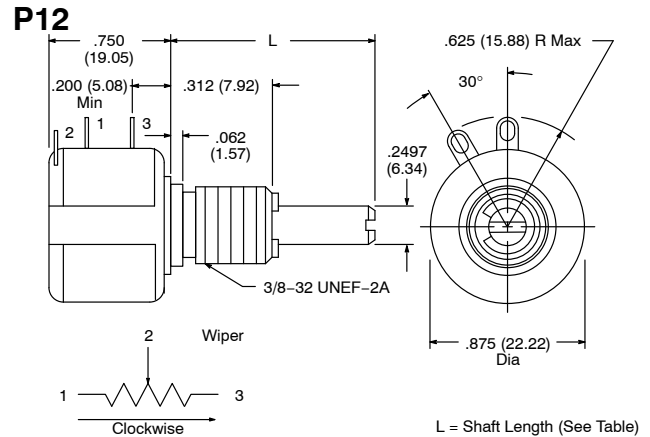


Spectrol No.	NTE Part No.	Value (Ohms)	Shaft Length	Diag No.
534-1-1-101	502-0100	100	7/8"	P12
534-1-1-201	502-0101	200	7/8"	P12
534-1-1-501	502-0102	500	7/8"	P12
534-1-1-102	502-0103	1K	7/8"	P12
534-1-1-202	502-0104	2K	7/8"	P12
534-1-1-502	502-0105	5K	7/8"	P12
534-1-1-103	502-0106	10K	7/8"	P12
534-1-1-203	502-0107	20K	7/8"	P12
534-1-1-503	502-0108	50K	7/8"	P12
534-1-1-104	502-0109	100K	7/8"	P12

Resistance Element Data				
Resistance Value (Ohms)	Resolution (%)	Ohms per Turn	Max Current @ 70°C Ambient (mA)	Max Voltage Across Coil (Volts)
100	.060	.0603	141.00	14.1
200	.037	.0746	100.00	20.0
500	.031	.1520	63.20	31.6
1K	.025	.2459	44.70	44.7
2K	.021	.4113	31.60	63.2
5K	.016	.8206	20.00	100.0
10K	.017	1.7230	14.10	141.0
20K	.015	3.0160	10.00	200.0
50K	.009	4.6690	6.32	316.0
100K	.007	7.4560	4.47	447.0

Spectrol 534 Series

Potentiometer – 2 Watt, 7/8" round case, 1/4" dia. shaft, 10 turn, precision wirewound



Specifications

Electrical

Resistance Range: 100 Ω to 100K Ω
Resistance Tolerance: ±5%
Linearity (independent): ±0.20%
Noise: 100 Ω ENR
Rotation: 3600° +10°, -0°
Power Rating: 2 Watt @ 70°C derated to 0 Watts @ 125°C
Insulation Resistance: 1000 Meg Ω min, 500VDC
Dielectric Strength: 1000V RMS min 50Hz
Absolute Minimum Resistance: Not to exceed linearity x total resistance or 1Ω, whichever is greater
Temperature Coefficient of Resistance: 20ppm/°C (wire only)
End Voltage: 0.25% of total applied voltage, max

Mechanical

Bearing Type Bushing: Sleeve bearing
Resistance Element: See Table
Rotation: 3600° +10°, -0°
Starting Torque (maximum): 36 gm-cms (0.5 oz in)
Stop Strength (static): 5.4 Kgm-cm (75 oz in)
Rotation Life: 1,000,000 shaft revolutions

Environmental

Operating Temperature: -55°C to +125°C
Load Life: 900 hr.

X-ON Electronics

Largest Supplier of Electrical and Electronic Components

Click to view similar products for [vishay](#) manufacturer:

Other Similar products are found below :

[M39006/22-0577H](#) [Y00892K49000BR13L](#) [M8340109M6801GGD03](#) [ITU1341SM3](#) [VS-MBRB1545CTPBF](#) [1KAB100E](#) [IH10EB600K12](#)
[562R5GAD47RR](#) [S472M69Z5UR84K0R](#) [MKP1848C65090JY5L](#) [CRCW1210360RFKEA](#) [VSMF4720-GS08](#) [TSOP34438SS1V](#)
[CRCW04024021FRT7](#) [001789X](#) [LTO050FR0500JTE3](#) [CRCW0805348RFKEA](#) [LVR10R0200FE03](#) [CRCW12063K30FKEAHP](#) [009923A](#)
[CRCW2010331JR02](#) [CRCW25128K06FKEG](#) [CS6600552K000B8768](#) [M39003/01-2289](#) [M39003/01-2784](#) [M39006/25-0133](#) [M39006/25-](#)
[0228](#) [M64W101KB40](#) [M64Z501KB40](#) [CW001R5000JS73](#) [CW0055R000JE12](#) [CW0056K800JB12](#) [CW0106K000JE73](#) [672D826H075EK5C](#)
[CWR06JC105KC](#) [CWR06NC475JC](#) [MAL219699001E3](#) [MCRL007035R00JHB00](#) [GBU4K-E3/51](#) [GBU8M-E3/51](#) [PTF56100K00QYEK](#)
[PTN0805H1502BBTR1K](#) [RCWL1210R130JNEA](#) [RH005220R0FE02](#) [RH005330R0FC02](#) [RH010R0500FC02](#) [132B20103](#) [RH1007R000FJ01](#)
[RH2503R500FE01](#) [RH254R220FS03](#)