

HEAVY DUTY ENCLOSURES

7740 Series Screw Fastening Wall Mount Enclosures

Wall mounted enclosures with two compartments, equipped with covers. Designed to house electronic applications.

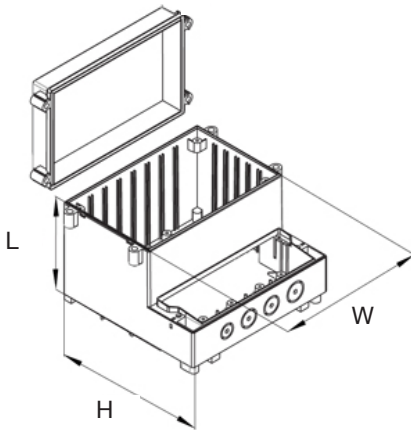
- Moulded in high quality ABS
- Suitable for high temperatures
- Protects controls and components indoors or outdoors
- Fastening pillars and guide grooves for Vertical and horizontal PCB mounting
- DIN Rail mountable
- EPDM gasket for IP65 seal pre-installed
- Available in five sizes

SPECIFICATION

Materials	Lid & base ABS, UL94-HB
Operating Temperature	Heat resistant up to 80°C
Ingress protection class	IP65
Standard colours	Light grey, similar to RAL 7035
Standard unit includes	Box, lid, fixing screws and neoprene gasket



PART NO.	LENGTH	WIDTH	HEIGHT
CHD774001	93mm	166mm	161mm
CHD774002	121mm	166mm	161mm
CHD774003	104.5mm	213mm	185mm
CHD774004	132.5mm	256mm	217mm
CHD774005	158mm	296mm	281mm



Wall Mounting Kit

PART NO. DESCRIPTION

CHD7700MK Mounting Brackets



UNIVERSAL ENCLOSURES

HAND HELD CASES

HEAVY DUTY ENCLOSURES

DIN RAIL BOXES

INTERFACE SUPPORTS

CONTROL STATIONS

DIECAST & METAL BOXES

DESKTOP & INSTRUMENT CASES

POTTING BOXES

19" ENCLOSURES

19" CABINETS

DEVELOPMENT BOARD ENCLOSURES

CUSTOM SIZED ENCLOSURES

CUSTOM SERVICES



+44 (0)1638 716101
info@camdenboss.com
www.camdenboss.com

We operate a constant improvement policy, our products are subject to change without notice.

Ver 1.0 Iss 6

CAMDENBOSS
ELECTRONICS & ENCLOSURES

X-ON Electronics

Largest Supplier of Electrical and Electronic Components

Click to view similar products for [camden manufacturer](#):

Other Similar products are found below :

[412689X](#) [CTBP92VE/12R](#) [CTBP9350/12](#) [IND515205-240-T/GRN](#) [IND515205-240-T/RD](#) [IND5032405-240-T/GRN](#) [CE10.00.EI](#)
[C192SHAND](#) [CNMB/6ST/2](#) [CNMB/4ST/2](#) [CSACST004](#) [CTBP9200/9](#) [CIME/M/BE2250SS](#) [CHH64E1BL](#) [CIM/15W-DMFS](#) [CHHBAT2GY](#)
[CFTBN/2](#) [CCB2S1/04](#) [CHDX6-221C](#) [CHDX8-224](#) [CHDASMP29](#) [CHDASMP30](#) [CHDASMP34](#) [CHDX810DD](#) [CHDX811DD](#)
[CCTTM40LR](#) [CTBP92VJ/5S](#) [CTBP92VJ/8R](#) [CTSN431/12/M](#) [CTSN433/12/M](#) [CUABOX006](#) [CE10.00.FM](#) [CBRPH-BLK](#) [BIM2003/13-](#)
[WH/WH](#) [RX2008/S-5-WH](#) [CBARD-CAR](#) [CRDCG0007](#) [CNMB/4/KIT](#) [CTB5050/5](#) [CTBP92HE/11](#) [CTBP9358/10AO](#) [CHH66C2GY](#)
[CHH456PBK](#) [CHH451ABK](#) [CIM/9W-DMFS](#) [CIM/25W-DMFS](#) [RTM5006/16-NC-BLK](#) [IND5032405-125-T/AMB](#) [CCB1S1/03](#) [CCD2S1/04](#)