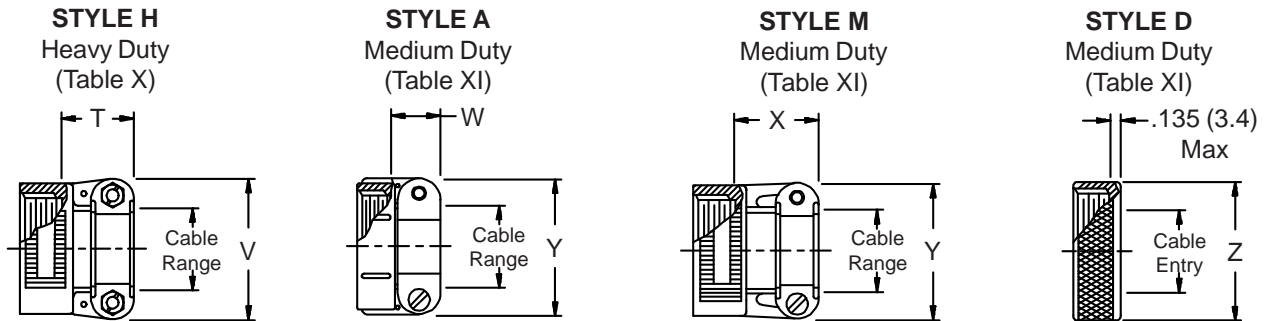
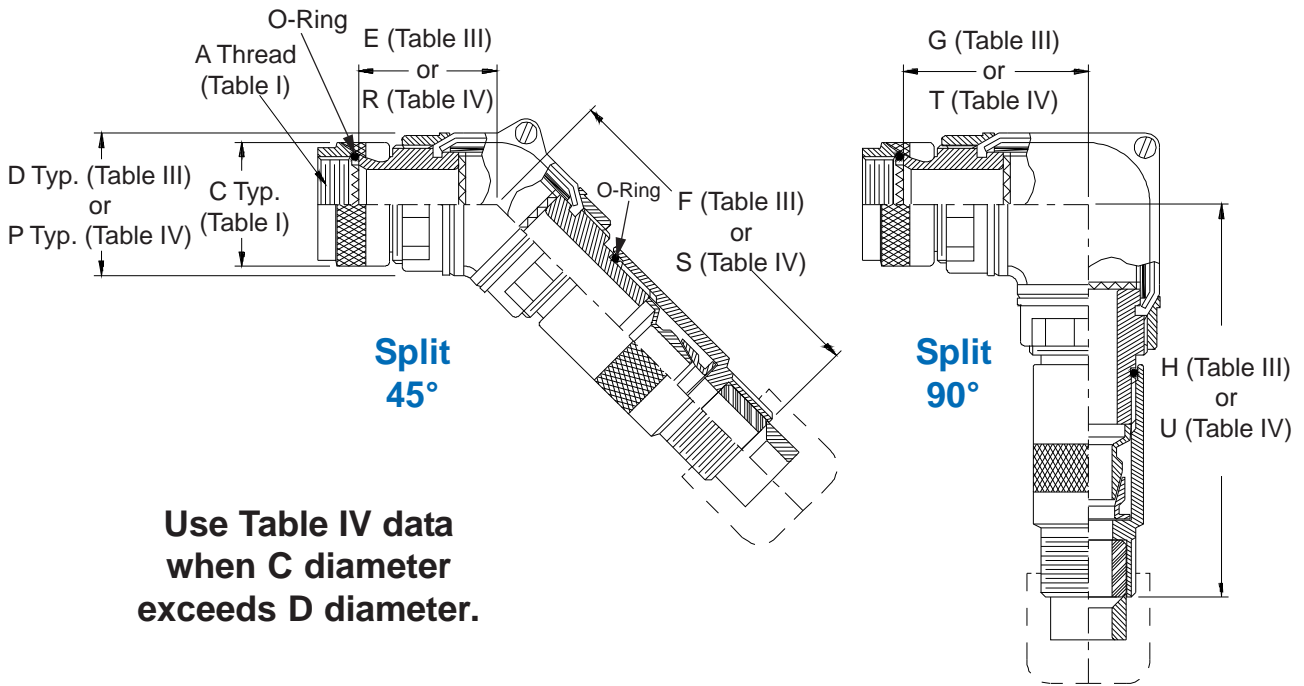
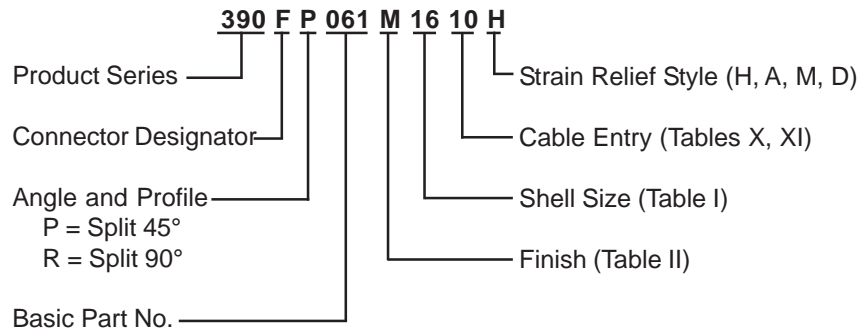


**CONNECTOR  
 DESIGNATORS  
 A-F-H-L-S  
 ROTATABLE  
 COUPLING**

**TYPE G INDIVIDUAL  
 AND/OR OVERALL  
 SHIELD TERMINATION**



**390-061**  
**Submersible EMI/RFI Cable Sealing Backshell**  
 with Strain Relief  
 Type G - Rotatable Coupling - Split Shell



**TABLE III**

Shell Size		D		E		F		G		H	
Conn. Desig.	A-F-L-S H	Max		Max		Max		Max		Max	
08	09	1.188	(30.2)	1.781	(45.2)	4.406	(111.9)	1.781	(45.2)	4.406	(111.9)
10	11	1.188	(30.2)	1.781	(45.2)	4.406	(111.9)	1.781	(45.2)	4.406	(111.9)
12	13	1.188	(30.2)	1.781	(45.2)	4.406	(111.9)	1.781	(45.2)	4.406	(111.9)
14	15	1.188	(30.2)	1.781	(45.2)	4.406	(111.9)	1.781	(45.2)	4.406	(111.9)
16	17	1.438	(36.5)	1.906	(48.4)	4.531	(115.1)	1.906	(48.4)	4.531	(115.1)
18	19	1.438	(36.5)	1.906	(48.4)	4.531	(115.1)	1.906	(48.4)	4.531	(115.1)
20	21	1.438	(36.5)	1.906	(48.4)	4.531	(115.1)	1.906	(48.4)	4.531	(115.1)
22	23	1.688	(42.9)	2.031	(51.6)	4.656	(118.3)	2.031	(51.6)	4.656	(118.3)
24	25	1.688	(42.9)	2.031	(51.6)	4.656	(118.3)	2.031	(51.6)	4.656	(118.3)

**TABLE IV**

Dash No.	P Max	R Max	S Max	T Max	U Max
08	1.438 (36.5)	1.906 (48.4)	4.531 (115.1)	1.906 (48.4)	4.531 (115.1)
10	1.688 (42.9)	2.031 (51.6)	4.656 (118.3)	2.031 (51.6)	4.656 (118.3)
12	1.688 (42.9)	2.031 (51.6)	4.656 (118.3)	2.031 (51.6)	4.656 (118.3)
16	1.688 (42.9)	2.031 (51.6)	4.656 (118.3)	2.031 (51.6)	4.656 (118.3)
20	2.188 (55.6)	2.281 (57.9)	4.906 (124.6)	2.281 (57.9)	4.906 (124.6)
24	2.188 (55.6)	2.281 (57.9)	4.906 (124.6)	2.281 (57.9)	4.906 (124.6)
28	2.688 (68.3)	2.531 (64.3)	5.156 (131.0)	2.531 (64.3)	5.156 (131.0)

See inside back cover fold-out or pages 13 and 14 for Tables I and II.

**TABLE X**

Dash No.	T Max	V Max	Cable Range	
			Min	Max
04	.780 (19.8)	.957 (24.3)	.125 (3.2)	.312 (7.9)
06	.780 (19.8)	1.145 (29.1)	.250 (6.4)	.437 (11.1)
08	.780 (19.8)	1.332 (33.8)	.387 (9.8)	.562 (14.3)
10	.780 (19.8)	1.332 (33.8)	.350 (8.9)	.625 (15.9)
12	.811 (20.6)	1.551 (39.4)	.500 (12.7)	.750 (19.1)
16	.905 (23.0)	1.770 (45.0)	.625 (15.9)	.937 (23.8)
20	1.092 (27.7)	2.113 (53.7)	.875 (22.2)	1.250 (31.8)
24	1.124 (28.5)	2.363 (60.0)	1.000 (25.4)	1.375 (34.9)
28	1.399 (35.5)	2.770 (70.4)	1.250 (31.8)	1.625 (41.3)

1. Metric dimensions (mm) are indicated in parentheses.
2. Cable range is defined as the accommodations range for the wire bundle or cable. Dimensions shown are not intended for inspection criteria.
3. Interface O-Ring not supplied with connector designator A.

**TABLE XI**

Dash No.	W Max	X Max	Y Max	Z Max	Cable Range	
					Min	Max
03*	.437 (11.1)	.760 (19.3)	.843 (21.4)	.630 (16.0)	.156 (4.0)	.250 (6.4)
04*	.437 (11.1)	.760 (19.3)	.906 (23.0)	.755 (19.2)	.188 (4.8)	.312 (7.9)
06*	.500 (12.7)	.760 (19.3)	1.093 (27.8)	.942 (23.9)	.281 (7.1)	.438 (11.1)
08	.563 (14.3)	.760 (19.3)	1.187 (30.1)	1.067 (27.1)	.387 (9.8)	.562 (14.3)
10	.563 (14.3)	.760 (19.3)	1.281 (32.5)	1.192 (30.3)	.375 (9.5)	.625 (15.9)
12	.563 (14.3)	.760 (19.3)	1.500 (38.1)	1.380 (35.1)	.438 (11.1)	.750 (19.1)
16	.656 (16.7)	1.073 (27.3)	1.719 (43.7)	1.535 (39.0)	.625 (15.9)	.938 (23.8)
20	.656 (16.7)	1.323 (33.6)	2.062 (52.4)	1.848 (46.9)	.875 (22.2)	1.250 (31.8)
24	.656 (16.7)	1.323 (33.6)	2.312 (58.7)	2.255 (57.3)	1.000 (25.4)	1.375 (34.9)
28	1.188 (30.2)	1.572 (39.9)	2.719 (69.1)	2.505 (63.6)	1.250 (31.8)	1.625 (41.3)

\* Not available in Style M clamp.

## X-ON Electronics

Largest Supplier of Electrical and Electronic Components

*Click to view similar products for [Circular MIL Spec Backshells](#) category:*

*Click to view products by [Glenair](#) manufacturer:*

Other Similar products are found below :

[5M2919-3DW](#) [5M2920-3CW](#) [5M2953-1HW](#) [60-036152-022](#) [610HS012M15](#) [M28840/504WA](#) [M28840/805WB](#) [M28840/809WA](#)  
[M28840/815WA](#) [M28840/816WA](#) [627AS017M14](#) [62GB5851608S](#) [655HS002NF11](#) [CW3703-000](#) [CW3899-000](#) [M85049/10-134S](#)  
[M85049/10-17S](#) [M85049/10-33S](#) [M85049/10-94W](#) [M85049/11-09W](#) [M85049/11-28N](#) [M85049/11-37N](#) [M85049/11-53N](#) [M85049/11-63N](#)  
[M85049/118-20W](#) [M85049/124-23W](#) [M85049/124S09W](#) [M85049/126S23W](#) [M850491712W02](#) [M85049/1720N04B](#) [M85049/1817N06](#)  
[M850491819W03](#) [M85049/1821W05C](#) [M85049/1825W06C](#) [M85049/1919N05](#) [M85049/1919W04](#) [M850491919W07](#) [M85049/23-59W](#)  
[M85049/23-74W](#) [M8504924-5W](#) [M85049/24-71N](#) [M85049/25-47N](#) [M85049/25-94W](#) [M85049/27S12N](#) [M8504938-13S](#) [M85049/38-19S](#)  
[M85049/39-11S](#) [M85049/39-17S](#) [M85049/39-9S](#) [M85049/3W4A2](#)