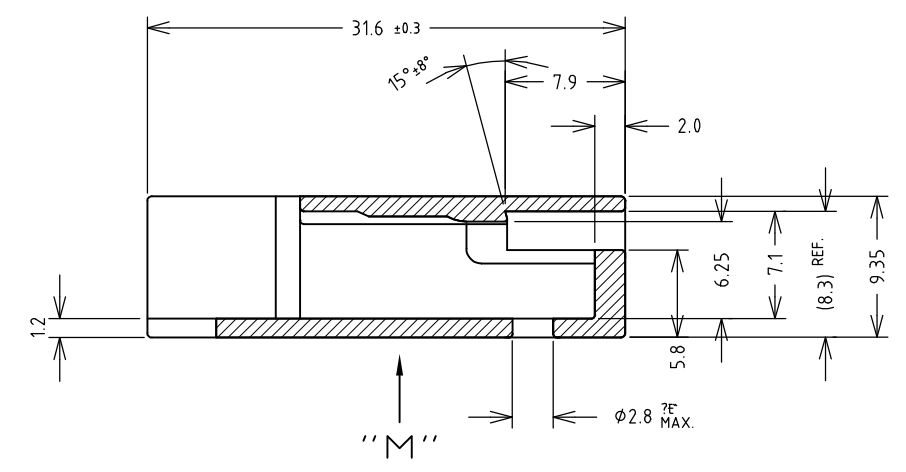
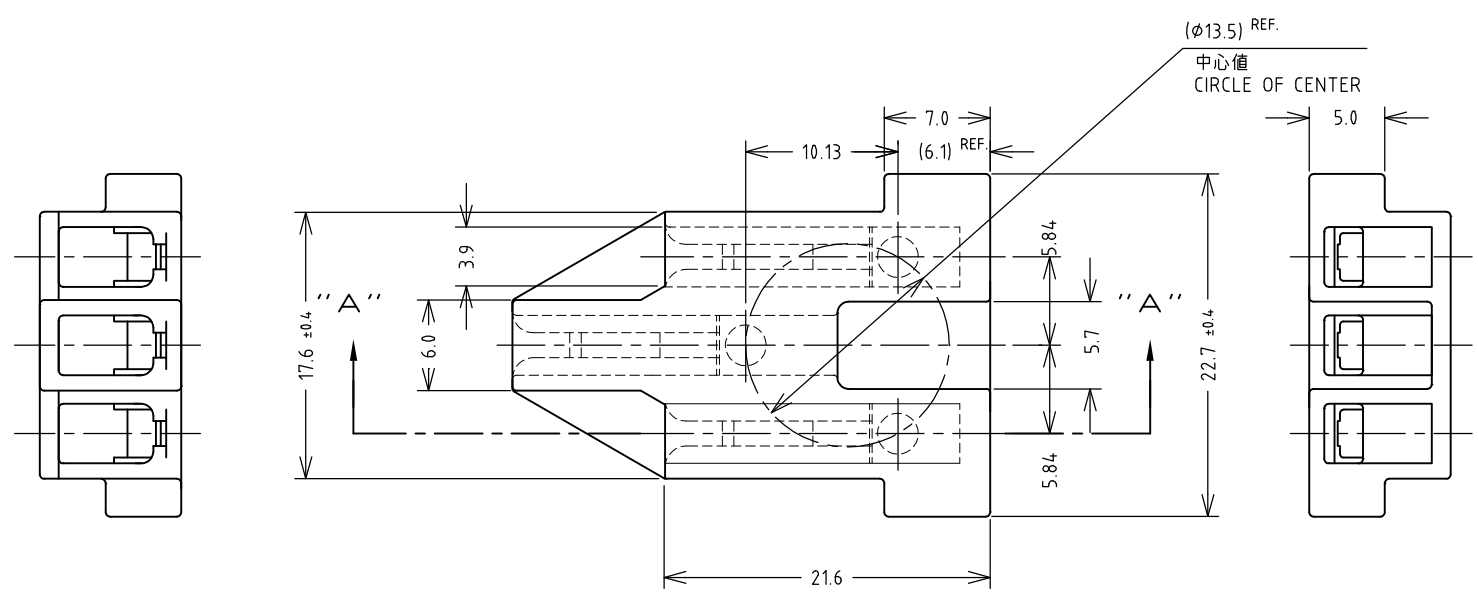
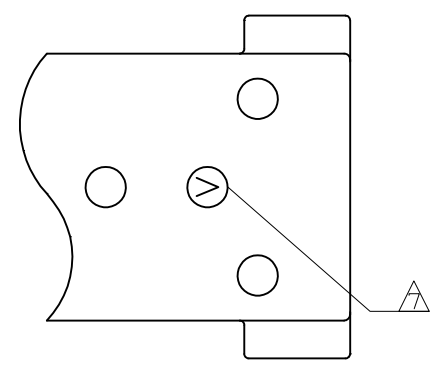


THIS DRAWING IS UNPUBLISHED. RELEASED FOR PUBLICATION MAY, 21 .
 © COPYRIGHT 02 By - ALL RIGHTS RESERVED.

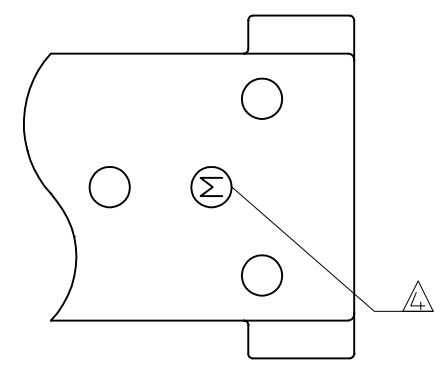
LOC	DIST	REVISIONS					
		P	LTR	DESCRIPTION	DATE	DWN	APVD
J	-	P4		REVISED AS PER ECR-15-018360	17DEC2014	MKD	RRP



断面 "A" - "A"
SECT



矢視 "M" 1-171370-2
VIEW



矢視 "M" 1-171370-1
VIEW

注記:

- 一般公差 : ±0.2
- 適用ピン リセプタクル型番 : □-170063-□, □-353937-□, □-1123655-□
- 適用規格番号 : 108-5143 (型番171370-1, 1-171370-1)
- 裏面上I.Dマーク : 型番1-171370-1のみ M 表示 文字の向きは任意とする。
- ミュールスRタイプ: UL94V-0, CTI 600V
- フェノール ノンアンモニア: UL94V-0, CTI 175 ~ 249V以上
- 裏面上I.Dマーク : 型番1-171370-2のみ L 表示 文字の向きは任意とする。

NOTES:

- GENERAL TOLERANCE ±0.2
- APPLICABLE CONTACT PART No.: □-170063-□, □-353937-□, □-1123655-□
- PRODUCT SPEC No.: 108-5143 (FOR PART No.171370-1 AND 1-171370-1)
- I.D MARK ON REAR SIDE : INDICATION M AT PART No.1-171370-1 ONLY. DIRECTION OF CHARACTERS IS FREE.
- MEWLUS "R" TYPE : UL94V-0, CTI 600V MIN
- PHENOLIC NONAMMONIA UL94V-0, CTI 175 ~ 249V
- I.D MARK ON REAR SIDE : INDICATION L AT PART No.1-171370-2 ONLY. DIRECTION OF CHARACTERS IS FREE.

△ 1-171370-2	△ フェノール (PHENOLIC)	黒 (BLACK)
△ 1-171370-1	△ ミュールス Rタイプ (MEWLUS "R" TYPE)	黒 (BLACK)
171370-1	フェノリック (PHENOLIC)	黒 (BLACK)
型番 (PART No.)	材料 (MATERIAL)	色 (COLOR)

THIS DRAWING IS A CONTROLLED DOCUMENT.		DWN M.SUZUKI 21MAY2002	STE TE Connectivity	
DIMENSIONS: 単位: 耗 mm		CHK M.SHINDO 21MAY2002		
TOLERANCES UNLESS OTHERWISE SPECIFIED: 一般公差		APVD M.SHINDO 21MAY2002	NAME 名称 2.3 DIA CLUSTER BLOCK	
0 PLC ±		PRODUCT SPEC 製品規格	Φ2.3 クラスタブロック	
1 PLC ±		APPLICATION SPEC 取付適用規格	SIZE A3	CAGE CODE 00779
2 PLC ±		WEIGHT	DRAWING NO 番号 G-171370	RESTRICTED TO -
3 PLC ±		CUSTOMER DRAWING	SCALE 尺度 4:1	SHEET 1 of 3
4 PLC ±			REV P4	
ANGLES ±				
FINISH 仕上				
MATERIAL 材料 SEE TABLE				

THIS DRAWING IS UNPUBLISHED.

RELEASED FOR PUBLICATION MAY, 21

ALL RIGHTS RESERVED.

© COPYRIGHT 02 By -

LOC
J

DIST

REVISIONS

変更

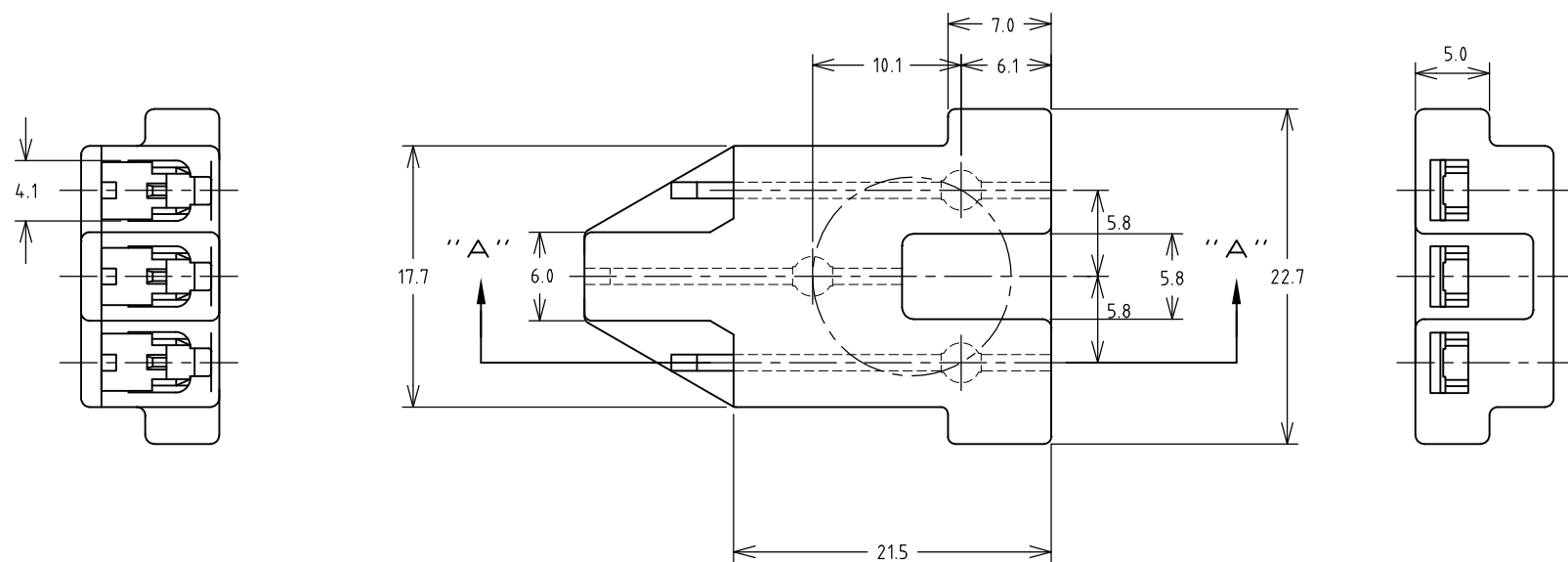
DESCRIPTION

DATE

DWN

APVD

SEE SHEET 1



注記:

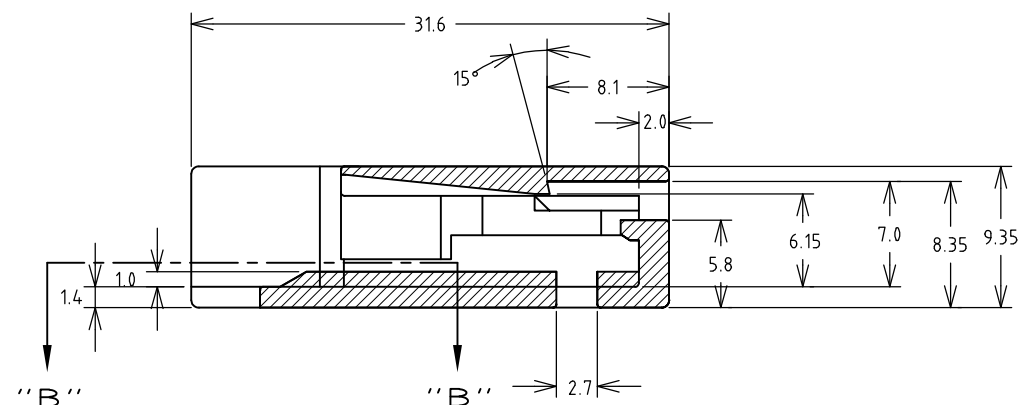
- 1. 一般公差 : ±0.2
- 2. 適用ピン リセプタクル型番 : □-170063-□, □-353937-□, □-1123655-□
- 3. 適用規格番号: 108-5205(型番171370-3)
108-61239(型番171370-4)
108-5541(型番171370-5)

- △4 PARTS COMPLY WITH GLOW WIRE 750 PER IEC 60335-1.
- △5 MUST BE APPLIED ON THE OUTSIDE OF COMPRESSOR.

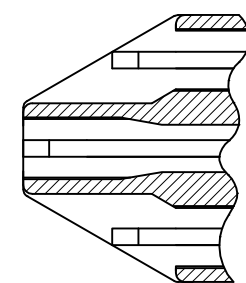
NOTES:

- 1. GENERAL TOLERANCE ±0.2
- 2. APPLICABLE CONTACT PART No.:
□-170063-□, □-353937-□, □-1123655-□
- 3. PRODUCT SPEC No.: 108-5205(FOR PART No.171370-3)
108-61239(FOR PART No.171370-4)
108-5541(FOR PART No.171370-5)

- △4 GLOW WIRE 750(IEC 60335-1), CTI 600V(HALOGEN FREE)
- △5 MUST BE APPLIED ON THE OUTSIDE OF COMPRESSOR.



断面 "A" - "A" SECT



断面 "B" - "B" SECT

△4 △5

171370-5	PBT ガラス強化 PBT GLASS FILLED(UL94V-0)	灰色 (GRAY)
171370-4	PBT ガラス強化 PBT GLASS FILLED(UL94V-0)	黒 (BLACK)
171370-3	PBT ガラス強化 PBT GLASS FILLED(UL94HB)	自然色 (NATURAL)
型番 (PART No.)	材 料 (MATERIAL)	色 (COLOR)

THIS DRAWING IS A CONTROLLED DOCUMENT.		DWN	STE TE Connectivity		
DIMENSIONS: 単位: 耗 mm		CHK			
TOLERANCES UNLESS OTHERWISE SPECIFIED: 一般公差		APVD	NAME 名称 2.3 DIA CLUSTER BLOCK Φ2.3 クラスターブロック		
0 PLC ± 1 PLC ± 2 PLC ± 3 PLC ± 4 PLC ± ANGLES ±		PRODUCT SPEC 製品規格 SEE NOTE 3	SIZE		
MATERIAL 材料 SEE TABLE		FINISH 仕上	CAGE CODE 00779		
		WEIGHT	DRAWING NO 番号 C-171370		
		CUSTOMER DRAWING			RESTRICTED TO -
		SCALE 尺度 4:1			SHEET 2 OF 3
					REV P4

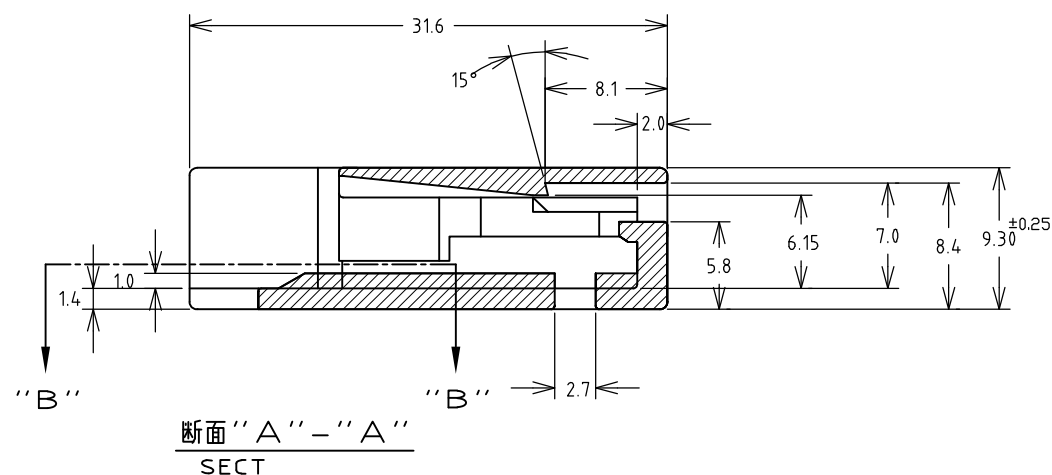
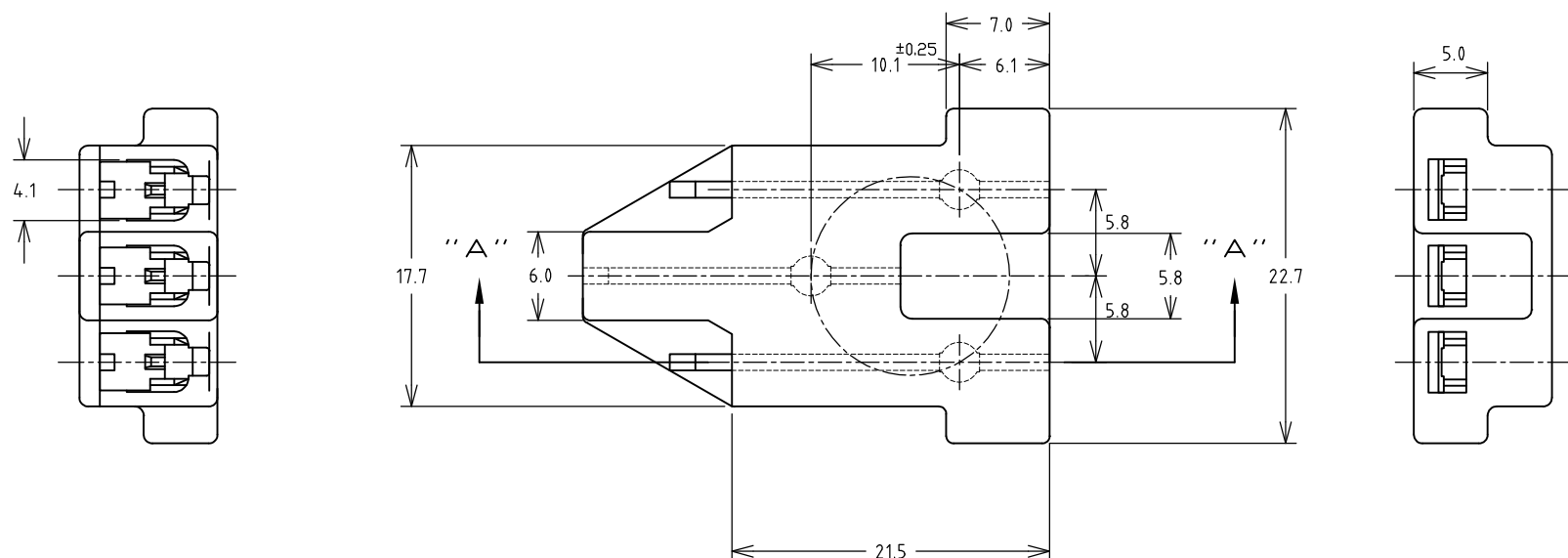
THIS DRAWING IS UNPUBLISHED.

RELEASED FOR PUBLICATION MAY, 21 .

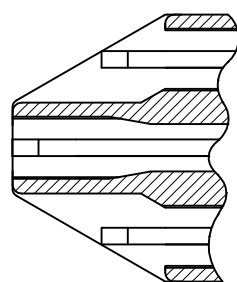
© COPYRIGHT 02 By -

ALL RIGHTS RESERVED.

LOC	DIST	REVISIONS					
		P	LTR	DESCRIPTION	DATE	DWN	APVD
J		-		SEE SHEET 1	-	-	-



断面“A-A” SECT



断面“B-B” SECT

注記:

1. 一般公差 : ±0.2
2. 適用ピン リセプタクル型番 : □-170063-□, □-353937-□, □-1123655-□
3. 適用規格番号: 108-140004 (型番171370-7)
4. PRELIMINARY-NOT FOR PRODUCTION
5. PARTS COMPLY WITH GLOW WIRE REQUIREMENTS DETAILED IN IEC 60335-1

NOTES:

1. GENERAL TOLERANCE ±0.2
2. APPLICABLE CONTACT PART No. : □-170063-□, □-353937-□, □-1123655-□
3. PRODUCT SPEC No.: 108-140004 (FOR PART No.171370-7)
4. PRELIMINARY-NOT FOR PRODUCTION
5. PARTS COMPLY WITH GLOW WIRE REQUIREMENTS DETAILED IN IEC 60335-1
6. PRELIMINARY PART

6	171370-8	PPS (UL94V-0)	(NATURAL)
5	171370-6	PA 6 GLASS FILLED	自然色 (NATURAL)
	171370-7	液晶ポリマー (UL94V-0) LCP (UL94V-0)	自然色 (NATURAL)
	型番 (PART No.)	材料 (MATERIAL)	色 (COLOR)

THIS DRAWING IS A CONTROLLED DOCUMENT.		DWN	STE TE Connectivity		
DIMENSIONS: 単位: 耗 mm		CHK			
TOLERANCES UNLESS OTHERWISE SPECIFIED: 一般公差		APVD	NAME 名称		
0 PLC ±		PRODUCT SPEC 製品規格		2.3 DIA CLUSTER BLOCK	
1 PLC ±		SEE NOTE 3		Φ2.3 クラスタブロック	
2 PLC ±		APPLICATION SPEC 取付適用規格		SIZE	CAGE CODE
3 PLC ±		WEIGHT		A3	00779
4 PLC ±		CUSTOMER DRAWING		DRAWING NO 番号	RESTRICTED TO
ANGLES ±		SCALE 尺度 4:1		G-171370	-
FINISH 仕上		SHEET 3 of 3		REV P4	
MATERIAL 材料 SEE TABLE		SCALE 4:1		REV P4	

X-ON Electronics

Largest Supplier of Electrical and Electronic Components

Click to view similar products for [Headers & Wire Housings](#) category:

Click to view products by [TE Connectivity](#) manufacturer:

Other Similar products are found below :

[95000-104TRLF](#) [10135584-644402LF](#) [DF62W-EP2022PCA](#) [95000-106TRLF](#) [DF62W-2022SCA](#) [DF62W-EP2022PC](#) [2203348](#) [DF62W-2022SC](#) [1084018](#) [1029039](#) [1084017](#) [802-10-012-10-002000](#) [1112640](#) [1112639](#) [000-34000](#) [0009482033](#) [0009507031](#) [57102-S06-03LF](#) [57202-S52-04LF](#) [PCN6-15S-2.5E](#) [0039019024](#) [58102-G61-06LF](#) [582553-1](#) [0009485154](#) [0009508121](#) [0022285053](#) [0050291907](#) [018731A](#) [LY20-4P-DT1-P1E-BR](#) [02.125.8002.8](#) [60101931](#) [60598-1 \(Cut Strip\)](#) [M1625-3R/100](#) [61062-3](#) [61082-181009](#) [636-1427](#) [638009-1](#) [641938-9](#) [641991-4](#) [644168-1](#) [647662-1](#) [65039-019ELF](#) [65781-047](#) [65817-002LF](#) [65817-015LF](#) [65863-015LF](#) [66207-023LF](#) [67016-026LF](#) [67046-001LF](#) [67095-007LF](#)