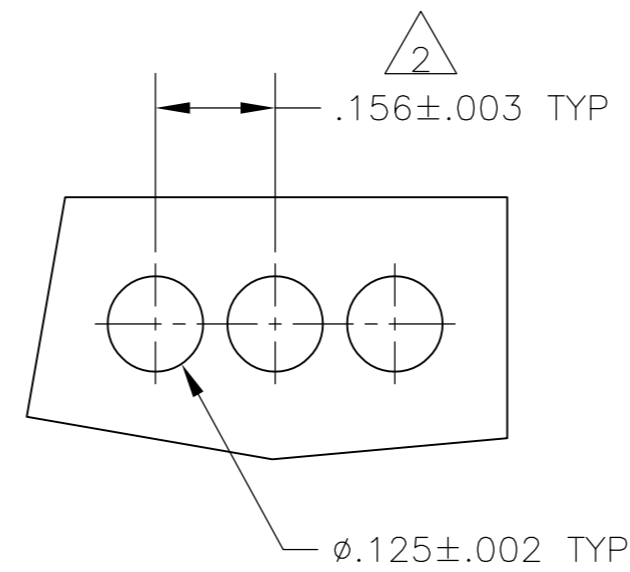
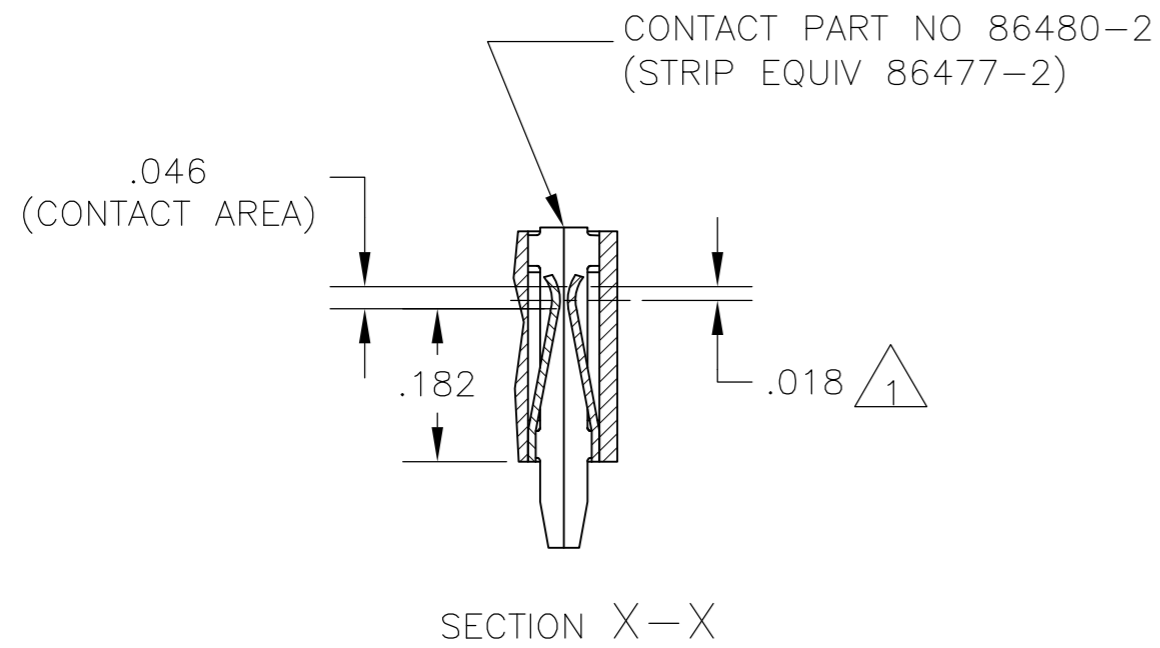
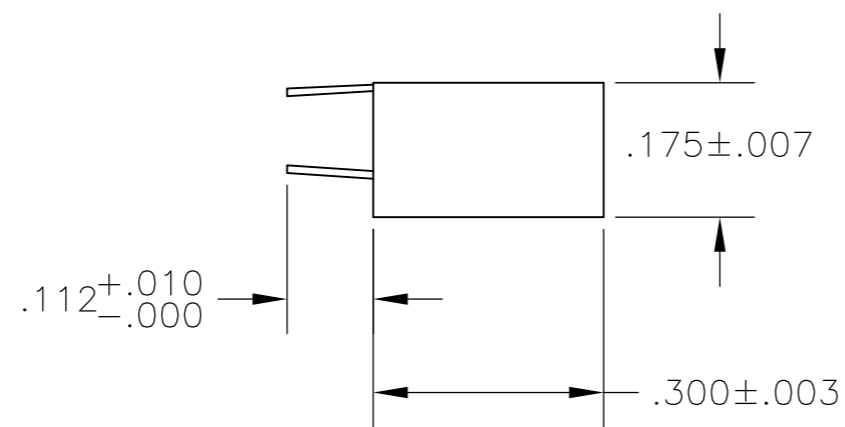
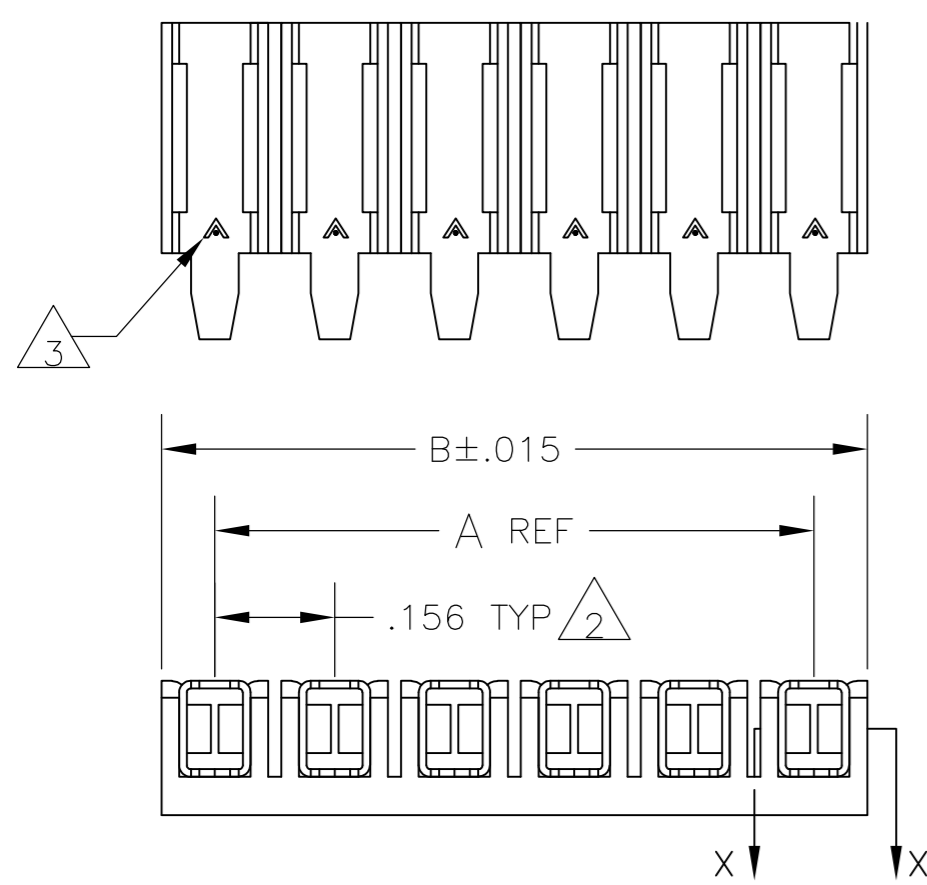


THIS DRAWING IS UNPUBLISHED. RELEASED FOR PUBLICATION
 © COPYRIGHT BY TYCO ELECTRONICS CORPORATION. ALL RIGHTS RESERVED.

LOC		DIST		REVISIONS			
P	LTR	DESCRIPTION	DATE	DWN	APVD		
AD	00	J2	REVISED ECO-10-018971	17SEP10	HMR	JO	



- 1 POINT OF MEASUREMENT FOR PLATING THICKNESS (INSIDE OF BEAMS).
- 2 TOLERANCE NON-CUMULATIVE.
- 3 THE MATING END OF THE CONTACT IS IDENTIFIED BY THE LETTER "A" STAMPED ON THE RECEPTACLE BOX.
- 4 OBSOLETE PARTS: OBSOLETE CIS STREAMLINING PER D.RENAUD/D.SINISI



B	A	NO OF POSN	ASSEMBLY PART NUMBER
3.120	2.964	20	2-87984-0
2.964	2.808	19	-1-87984-9
2.808	2.652	18	-1-87984-8
2.652	2.496	17	-1-87984-7
2.496	2.340	16	-1-87984-6
2.340	2.184	15	-1-87984-5
2.184	2.028	14	-1-87984-4
2.028	1.872	13	-1-87984-3
1.872	1.716	12	-1-87984-2
1.716	1.560	11	-1-87984-1
1.560	1.404	10	-1-87984-0
1.404	1.248	9	87984-9
1.248	1.092	8	87984-8
1.092	.936	7	87984-7
.936	.780	6	87984-6
.780	.624	5	87984-5
.624	.468	4	87984-4
.468	.312	3	87984-3
.312	.156	2	87984-2

THIS DRAWING IS A CONTROLLED DOCUMENT.

DWN	L D RINGLEY	17MAR86	Tyco Electronics Corporation Harrisburg, PA 17105-3608			
CHK	P C DEJONG	18MAR86				
APVD	P C DEJONG	18MAR86				
PRODUCT SPEC	108-25,016					
APPLICATION SPEC	114-25,004		NAME			
MATERIAL	HOUSING-FLAME RETARDANT THERMOPLASTIC, COLOR-BLACK CONTACTS: PHOS BRONZE	FINISH .000030 GOLD IN THE CONTACT AREA, GOLD FLASH ON THE REMAINDER, ALL OVER .000050 NICKEL	SIZE	CAGE CODE	DRAWING NO	RESTRICTED TO
		WEIGHT	A2	00779	C=87984	-
CUSTOMER DRAWING			SCALE	4:1	SHEET	1 OF 1
					REV	J2

X-ON Electronics

Largest Supplier of Electrical and Electronic Components

Click to view similar products for [Headers & Wire Housings](#) category:

Click to view products by [TE Connectivity](#) manufacturer:

Other Similar products are found below :

[95000-104TRLF](#) [10135584-644402LF](#) [DF62W-EP2022PCA](#) [95000-106TRLF](#) [DF62W-2022SCA](#) [DF62W-EP2022PC](#) [2203348](#) [DF62W-2022SC](#) [1084018](#) [1029039](#) [1084017](#) [802-10-012-10-002000](#) [1112640](#) [1112639](#) [000-34000](#) [0009482033](#) [0009507031](#) [57102-S06-03LF](#) [57202-S52-04LF](#) [PCN6-15S-2.5E](#) [0039019024](#) [58102-G61-06LF](#) [582553-1](#) [0009485154](#) [0009508121](#) [0022285053](#) [0050291907](#) [018731A](#) [LY20-4P-DT1-P1E-BR](#) [02.125.8002.8](#) [60101931](#) [60598-1 \(Cut Strip\)](#) [M1625-3R/100](#) [61062-3](#) [61082-181009](#) [636-1427](#) [638009-1](#) [641938-9](#) [641991-4](#) [644168-1](#) [647662-1](#) [65039-019ELF](#) [65781-047](#) [65817-002LF](#) [65817-015LF](#) [65863-015LF](#) [66207-023LF](#) [67016-026LF](#) [67046-001LF](#) [67095-007LF](#)