

Connectors for Micro ISO Relays

Connectors in 3 different versions

■ PCB Socket

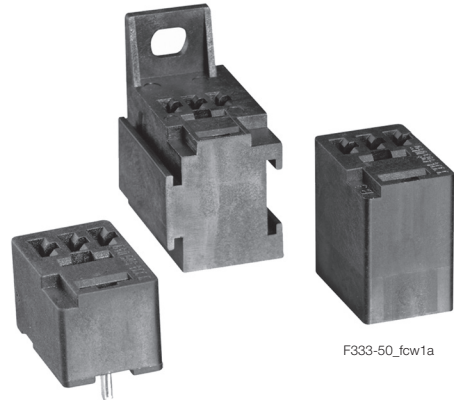
With the solderable connector Micro ISO relays with plug-in terminals can be mounted on leadframes. This allows easy and reasonable replacement in case of service.

■ Connector

5 pole connector with snap-in pin to lock in frame.

■ Connector with mounting flap

5 pole connector that can be mounted individually or interlocked. The connector has a snap-in pin to lock in frame. The mounting bracket also allows screw-on.



F333-50\_fw1a

Technical Data

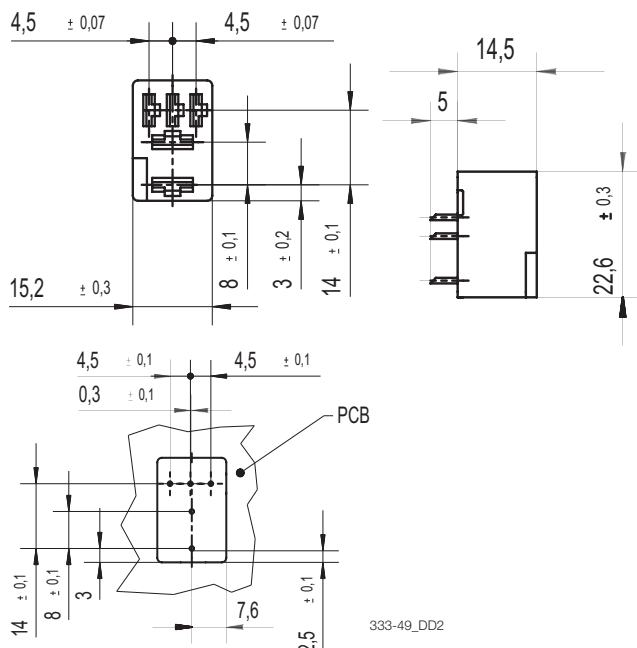
Weight	
PCB socket	approx. 5.9g (0.21oz)
Connector	approx. 5.4g (0.19oz)
Connector with mounting flap	approx. 11.9g (0.42oz)
Storage conditions according to IEC600688 <sup>1)</sup>	
Packaging/unit	
PCB socket (V23333-Z0002-B049)	800 pcs.
Connector (V23333-Z0001-B046)	400 pcs.
Connector with mounting flap (V23333-Z1001-B045)	150 pcs.

<sup>1)</sup> For general storage and processing recommendations please refer to the Application Notes and especially to storage in our Definitions or at <http://relays.te.com/appnotes/>

Dimensions

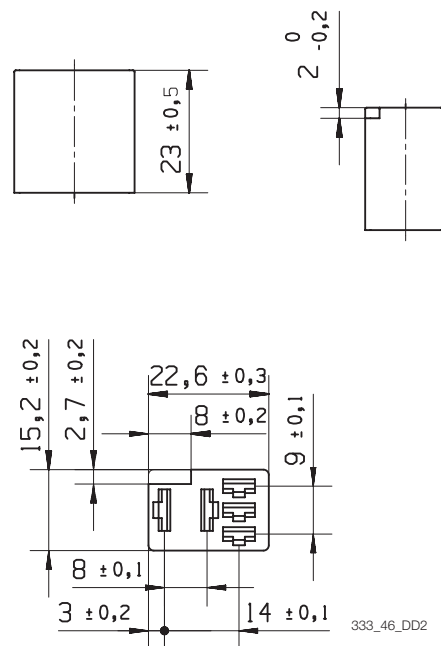
PCB socket V23333-Z0002-B049

Mounting recommendation: to keep insertion force away from the PCB the soldering of the socket to the PCB should be done with already inserted relay.



Connector V23333-Z1001-B046

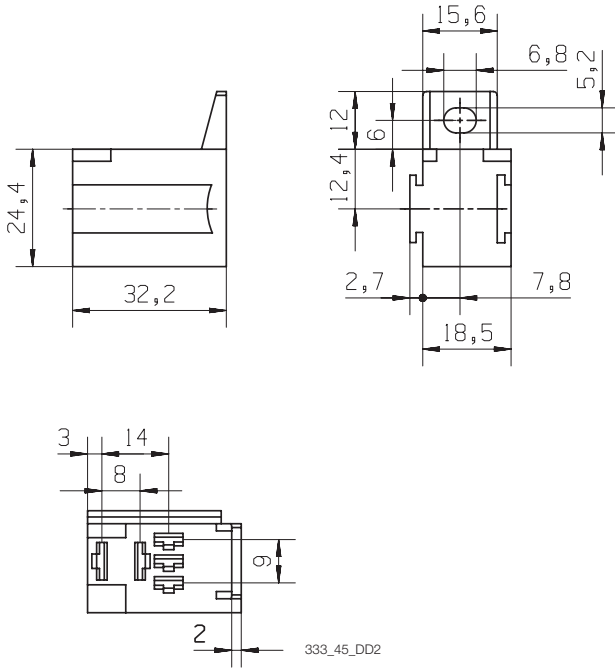
Terminals to be ordered separately.



Connectors for Micro ISO Relays

**Connector with mounting flap V23333-Z1001-B045**

To be mounted individually or can be interlocked.  
Terminals to be ordered separately.



Part numbers for connectors		Selection of fitting crimp terminals <sup>1)</sup> (Ph. bronze tin plated) <sup>2)</sup>							
Product code	Part number	Terminal size	Wire mm <sup>2</sup>	Use for	Quantity required		Use in cavities		Part number for crimp terminals
					Form A	Form C	Form A	Form C	
V23333-Z0002-B049	2-1904045-7	-	-	-	-	-	-	-	-
V23333-Z0001-B046	1-1904045-6	4.8 x 0.8	0.5 - 1.5	Coil	2	2	1 and 2	1 and 2	280919-4
		4.8 x 0.8	1.0 - 2.5	Load	-	1	-	4	281197-2
		6.3 x 0.8	1.0 - 2.5	Load	2	2	3 and 5	3 and 5	160927-4
V23333-Z1001-B045	1-1904045-5	4.8 x 0.8	0.5 - 1.5	Coil	2	2	1 and 2	1 and 2	280919-4
		4.8 x 0.8	1.0 - 2.5	Load	-	1	-	4	281197-2
		6.3 x 0.8	1.0 - 2.5	Load	2	2	3 and 5	3 and 5	160917-2

1) Crimp terminals to be ordered separately.

2) Mentioned crimp terminals are delivered in strip-form, loose pieces and hand tool available on request.

## X-ON Electronics

Largest Supplier of Electrical and Electronic Components

*Click to view similar products for te connectivity manufacturer:*

Other Similar products are found below :

[570416-000](#) [CLTEQ-M81CE-SSRELAY-4-20V](#) [D38999/24FJ4AN](#) [358838-000](#) [4-1195131-0](#) [650069-000](#) [SMD100-2](#) [CB-1022B-78](#)  
[RM707012](#) [RP410012](#) [MMS42](#) [1-640426-8](#) [2EDL4CM](#) [DTS20W19-11PD-3028-LC](#) [RM202615](#) [NC6-P104-06](#) [MSPS103B](#) [DTS26F21-](#)  
[41AE](#) [DTS26F21-41PE-LC](#) [DTS26F21-11SE-3028-LC](#) [1932144-1](#) [293545-4](#) [LVR125S](#) [MS27466T25F4PB](#) [CKB-38-78010](#)  
[1206SFF150F/63-2](#) [D38999/20JB35HA](#) [D38999/24WJ20PA](#) [1754138-1](#) [TE1500A2R2J](#) [DTS24F25-29PC-3028-LC](#) [164-8033-08](#)  
[D38999/24WG11HA](#) [D38999/24WG11HN](#) [MS27467T21F11H](#) [DJT16E21-11HA](#) [1206SFH150F/24-2](#) [DTS24F19-11SC-3028-LC](#)  
[DTS24F21-41HN-LC](#) [DTS24F21-41AN](#) [DTS24F21-41PN-LC](#) [MS27467T21F35J](#) [MS27467T21F11J](#) [MS27467T21F16H-LC](#)  
[MS27467T21F35H](#) [MS27467T21F41H-LC](#) [DJT16E21-11PA-LC](#) [DJT16E21-11HA-LC](#) [DJT16E21-11AA](#) [MS27467T21B11JA](#)