

1. 製品名称／PRODUCT NAME : 0.35 BB CONN. H=0.6 SSB6 RP REC. ASSY EMBOSSED TAPE PACKAGING  
 製品番号／PART NUMBER : 5 0 5 0 6 6 - \* \* 1 0  
 5 0 5 0 6 6 - \* \* 7 0  
 ( \* \* は極数を示す)  
 ( \* \* IS CIRCUITS SIZE)

2. 標準梱包数／STANDARD PACKAGING QUANTITY

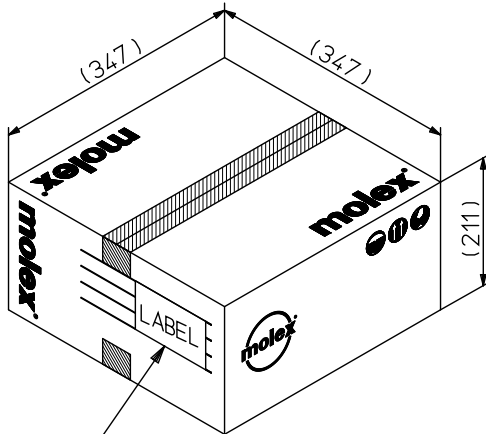
極数 CKT. SIZE	キャリア テープ幅 (mm) CARRIER TAPE WIDTH (mm)	1 リール中の製品数 QTY. PER REEL	外装カートン SHIPPING CARTON	
			梱包リール数 NUMBER OF REELS	製品数 QUANTITY
6	16	3,000	8 (4)	24,000 (12,000)
12				
16				
24				
30				
34	24	3,000	6 (3)	18,000 (9,000)
40				
48				

注：（ ）内の数は、少量出荷用カートンを用いた場合の梱包数。

NOTE: ( ) NUMBERS ARE APPLICABLE FOR SMALL LOT. SHIPMENT.

REV.	D									
SHEET	1~2									
REVISE ON PC ONLY				TITLE:						
D	REVISED J2016-0019 2015/07/07 Y.TOKUZONO			5 0 5 0 6 6 梱包仕様書 SALES PACKAGING SPEC. FOR 505066						
	THIS DOCUMENT CONTAINS INFORMATION THAT IS PROPRIETARY TO MOLEX INC. AND SHOULD NOT BE USED WITHOUT WRITTEN PERMISSION									
REV.	DESCRIPTION			WRITTEN BY: T.NAKAGAWA	CHECKED BY: T.HARUYAMA	APPROVED BY: H.HIRATA	DATE: YR/MO/DAY 2014/04/07			
DESIGN CONTROL J				STATUS				DOCUMENT NUMBER SPK-505066-001	FILE NAME SPK505066001.docx	SHEET 1 OF 2
EN-037(2013-04 rev.1)										

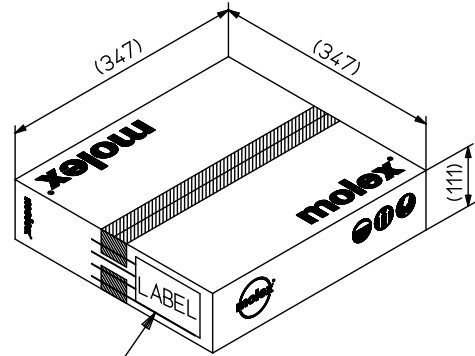
3. カートン外形参考寸法 / CARTON OUTER DIMENSIONS (REFERENCE PURPOSE ONLY)      単位 / UNIT: mm



カートンラベル  
CARTON LABEL

(製品型番, 数量, ロットNO. 表示)  
INDICATION OF PART No., QUANTITY, LOT No.

標準カートン  
STANDARD CARTON



カートンラベル  
CARTON LABEL

(製品型番, 数量, ロットNO. 表示)  
INDICATION OF PART No., QUANTITY, LOT No.

少量出荷用カートン  
FOR SMALL LOT SHIPMENT

<b>D</b>	REVISE ON PC ONLY	TITLE:  <b>5 0 5 0 6 6 梱包仕様書</b> SALES PACKAGING SPEC. FOR 505066
	SEE SHEET 1 OF 2	
REV.	DESCRIPTION	THIS DOCUMENT CONTAINS INFORMATION THAT IS PROPRIETARY TO MOLEX INC. AND SHOULD NOT BE USED WITHOUT WRITTEN PERMISSION
DOCUMENT NUMBER <b>SPK-505066-001</b>		FILE NAME SPK505066001.docx
		SHEET 2 OF 2
EN-037(2013-04 rev.1)		

## X-ON Electronics

Largest Supplier of Electrical and Electronic Components

*Click to view similar products for [Board to Board & Mezzanine Connectors](#) category:*

*Click to view products by [Molex](#) manufacturer:*

Other Similar products are found below :

[10135583-642402LF](#) [89885-310LF](#) [589158040000018](#) [6-1393048-0](#) [68683-613](#) [MDF7-12DP-2.54DSA](#) [MDF7-18P-2.54DSA\(01\)](#) [MDF7-20DP-2.54DSA](#) [MDF7-26D-2.54DSA\(55\)](#) [MDF7-3P-2.54DSA\(01\)](#) [MDF7B-3P-2.54DSA\(55\)](#) [MDF7C-11P-2.54DSA\(55\)](#) [MDF7C-18P-2.54DSA\(55\)](#) [MDF7C-5P-2.54DSA\(01\)](#) [MDF7P-5P-2.54DSA\(55\)](#) [75234-0516](#) [FCN-230C068-11](#) [FCN-268F012-G/BD](#) [FCN-268F036-G/BD](#) [FCN-268M012-G/0D](#) [FCN-268M024-G/1D](#) [FCN-360C008-C](#) [FCN-360C040-C](#) [FCN-723J004/1](#) [MIS-048-01-F-D-DP-K](#) [832-10-034-10-001000](#) [93696-325LF](#) [11828-1FA](#) [AXK630345P](#) [18097-0013](#) [ICA-328STT](#) [2007042-2](#) [304400-2](#) [FCN-214Q030-G/0](#) [FCN-215Q040-G/0](#) [FCN-230C068-ESA](#) [FCN-234P048-G/0](#) [FCN-235D050-G/C](#) [FCN-360A3](#) [FCN-360C040-B](#) [210-93-314-41-105000](#) [2-22603-0](#) [379-064-521-202](#) [MDF7-12P-2.54DSA\(01\)](#) [MDF7-16P-2.54DS\(56\)](#) [MDF7-40DP-2.54DSA\(55\)](#) [MDF7-8P-2.54DSA\(55\)](#) [MDF7B-16P-2.54DSA\(55\)](#) [AXG720047](#) [5031084030](#)