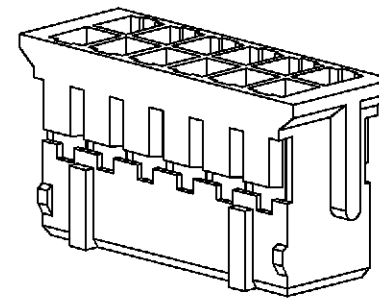
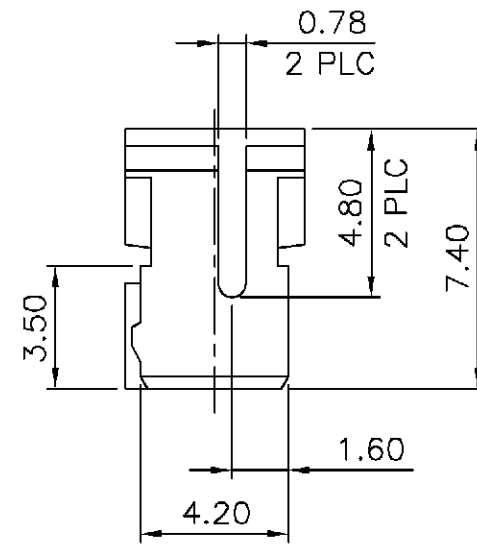


NOTE:

1. MATERIAL :  
HOUSING : THERMOPLASTIC UL94V-0, WHITE COLOR.

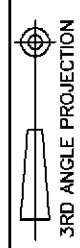


| DIM C | DIM B | DIM A | POS. | PART NUMBER |
|-------|-------|-------|------|-------------|
| 34.0  | 32.5  | 30.0  | 32   | 3-1470107-2 |
| 32.0  | 30.5  | 28.0  | 30   | 3-1470107-0 |
| 30.0  | 28.5  | 26.0  | 28   | 2-1470107-8 |
| 28.0  | 26.5  | 24.0  | 26   | 2-1470107-6 |
| 26.0  | 24.5  | 22.0  | 24   | 2-1470107-4 |
| 24.0  | 22.5  | 20.0  | 22   | 2-1470107-2 |
| 22.0  | 20.5  | 18.0  | 20   | 2-1470107-0 |
| 20.0  | 18.5  | 16.0  | 18   | 1-1470107-8 |
| 18.0  | 16.5  | 14.0  | 16   | 1-1470107-6 |
| 16.0  | 14.5  | 12.0  | 14   | 1-1470107-4 |
| 14.0  | 12.5  | 10.0  | 12   | 1-1470107-2 |
| 12.0  | 10.5  | 8.0   | 10   | 1-1470107-0 |
| 10.0  | 8.5   | 6.0   | 8    | 1470107-8   |
| 8.0   | 6.5   | 4.0   | 6    | 1470107-6   |

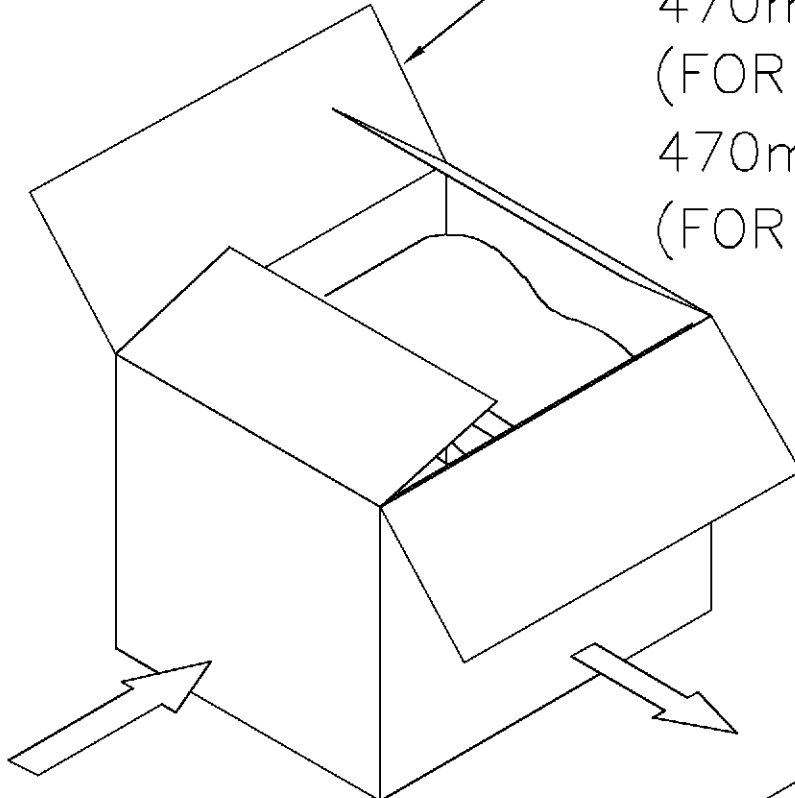
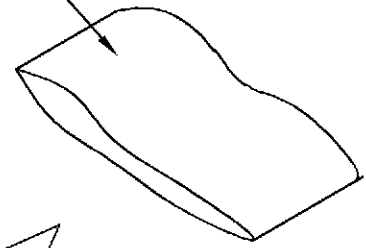
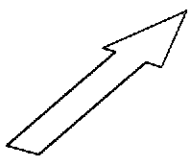
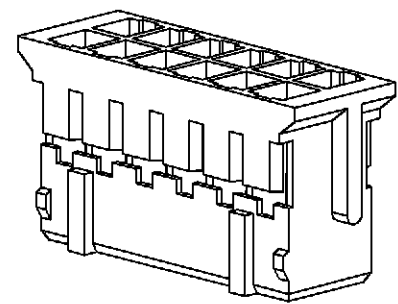
|   |                           |             |                                    |                |            |             |
|---|---------------------------|-------------|------------------------------------|----------------|------------|-------------|
| DIMENSION :<br>0 PLC ±<br>1 PLC ±0.30<br>2 PLC ±0.20<br>3 PLC ±0.10<br>ANGLES ± | DWN                       | O. HU       |                                    |                |            |             |
|   |                           | 12-AUG-2003 |                                    |                |            | 12-AUG-2003 |
| MATERIAL  | CHK                       | A. WU       | NAME<br>2.0 MM PITCH CRIMP HOUSING |                |            |             |
|   |                           | 12-AUG-2003 |                                    |                |            |             |
| SEE NOTE  | APVD                      | J. CHENG    | PRODUCT SPEC<br>108-57217          |                |            |             |
|   |                           | 12-AUG-2003 |                                    |                |            |             |
| FINISH  | QUALIFICATION TEST REPORT | 501-57218   | LOC                                | SIZE           | DRAWING NO | REV         |
|   | SEE NOTE                  | WEIGHT      | DW                                 | A <sub>3</sub> | C-1470107  | A1          |
|   |                           |             | SCALE                              | SHEET          |            |             |
|   |                           |             | --                                 |                | 1 OF 2     |             |

|     |                 |                             |           |        |
|-----|-----------------|-----------------------------|-----------|--------|
| A1  | REVISION RECORD | REVISD PER<br>ECO-11-005301 | RK<br>HMR | 5APR11 |
| LTR | ECO             | DWN<br>CHK                  | DATE      |        |

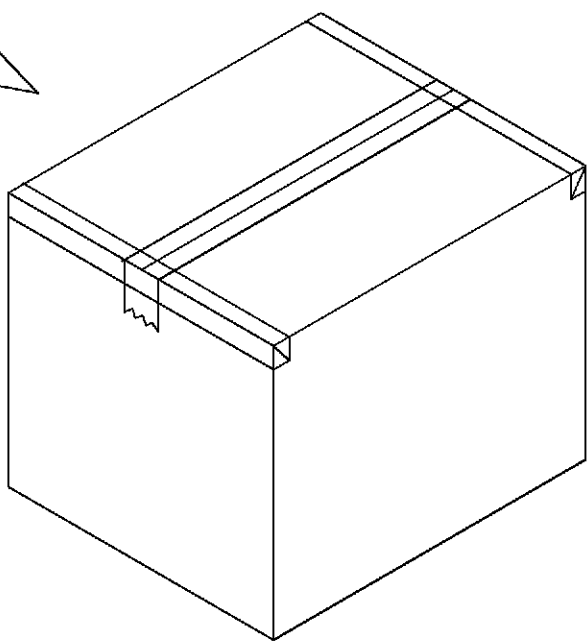
NUMBER C-1470107  
 METRIC  
 DIMENSIONS IN MILLIMETERS. DO NOT SCALE PRINT.  
 PRINT DIST DW



POLY BAG



CARTON  
 470mm(L)X 340 mm(W)X 178mm(H)  
 (FOR P/N 0-1470107-6~1-1470106-6)  
 470mm(L)X 340 mm(W)X 365mm(H)  
 (FOR P/N 1-1470107-8~3-1470106-2)



|                     |                  |             |
|---------------------|------------------|-------------|
| 20,000              | 1000             | 3-1470107-2 |
| 20,000              | 1000             | 3-1470107-0 |
| 20,000              | 1000             | 2-1470107-8 |
| 24,000              | 1000             | 2-1470107-6 |
| 26,000              | 1000             | 2-1470107-4 |
| 30,000              | 1000             | 2-1470107-2 |
| 30,000              | 1000             | 2-1470107-0 |
| 36,000              | 1000             | 1-1470107-8 |
| 20,000              | 1000             | 1-1470107-6 |
| 20,000              | 1000             | 1-1470107-4 |
| 25,000              | 1000             | 1-1470107-2 |
| 30,000              | 1000             | 1-1470107-0 |
| 40,000              | 1000             | 1470107-8   |
| 50,000              | 1000             | 1470107-6   |
| APQ<br>(PCS/CARTON) | PPQ<br>(PCS/BAG) | PART NUMBER |

|   |                  |             |                                    |                |            |     |
|---|------------------|-------------|------------------------------------|----------------|------------|-----|
| DIMENSION :<br>0 PLC ±<br>1 PLC ±<br>2 PLC ±<br>3 PLC ±<br>ANGLES ± | DWN              | O. HU       |                                    |                |            |     |
|   |                  | 12-AUG-2003 |                                    |                |            |     |
| MATERIAL  | CHK              | A. WU       | NAME<br>2.0 MM PITCH CRIMP HOUSING |                |            |     |
|   |                  | 12-AUG-2003 |                                    |                |            |     |
| SEE NOTE  | APVD             | J. CHENG    | LOC                                | SIZE           | DRAWING NO | REV |
|   |                  | 12-AUG-2003 | DW                                 | A <sub>3</sub> | C-1470107  | A1  |
| SEE NOTE  | PRODUCT SPEC     |             | SCALE                              | SHEET          |            |     |
|   | APPLICATION SPEC |             | --                                 | 2 OF 2         |            |     |
|   | WEIGHT           |             |                                    |                |            |     |

|     |                 |              |     |     |     |      |
|-----|-----------------|--------------|-----|-----|-----|------|
| LTR | REVISION RECORD | SEE SHEET 1. | ECO | DWN | CHK | DATE |
|-----|-----------------|--------------|-----|-----|-----|------|

8      7      6      5      4      3      2      1

CUSTOMER DRAWING

## X-ON Electronics

Largest Supplier of Electrical and Electronic Components

*Click to view similar products for [Headers & Wire Housings](#) category:*

*Click to view products by [TE Connectivity](#) manufacturer:*

Other Similar products are found below :

[95000-104TRLF](#) [10135584-644402LF](#) [DF62W-EP2022PCA](#) [95000-106TRLF](#) [DF62W-2022SCA](#) [DF62W-EP2022PC](#) [2203348](#) [DF62W-2022SC](#) [1084018](#) [1029039](#) [1084017](#) [802-10-012-10-002000](#) [1112640](#) [1112639](#) [000-34000](#) [0009482033](#) [0009507031](#) [57102-S06-03LF](#) [57202-S52-04LF](#) [PCN6-15S-2.5E](#) [0039019024](#) [58102-G61-06LF](#) [582553-1](#) [0009485154](#) [0009508121](#) [0022285053](#) [0050291907](#) [018731A](#) [LY20-4P-DT1-P1E-BR](#) [02.125.8002.8](#) [60101931](#) [60598-1 \(Cut Strip\)](#) [M1625-3R/100](#) [61062-3](#) [61082-181009](#) [636-1427](#) [638009-1](#) [641938-9](#) [641991-4](#) [644168-1](#) [647662-1](#) [65039-019ELF](#) [65781-047](#) [65817-002LF](#) [65817-015LF](#) [65863-015LF](#) [66207-023LF](#) [67016-026LF](#) [67046-001LF](#) [67095-007LF](#)