

## PROFIBUS-DP - connectors (M12, Sub-D)

### PROFIBUS Sub-D connector with M12 (90°)

Weidmüller's new Sub-D product line features fully shielded connector variants that enable direct tapping with M12 cables. This allows you to avoid the types or errors that often occur when installing similar connectors with screw connections. The increased contact reliability of the Sub-D connectors more than compensates for the cost of the extra M12 connectors.

#### Special features:

- Complete shielded housing
- Compact housing for small places
- Connection without any mistake because of the M12 connector
- 100% certified components

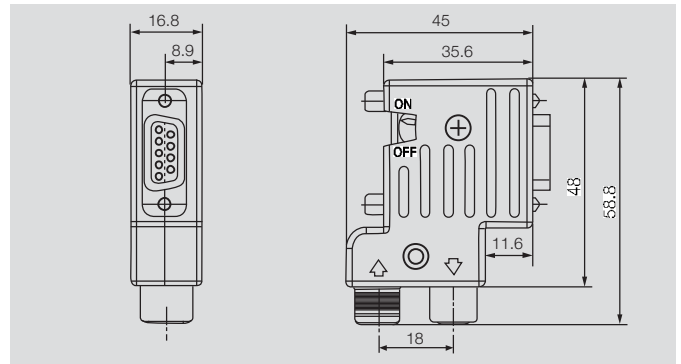
#### Technical data

Data rate	acc. to PROFIBUS Specification, 12Mbit/s
Connector pinning	acc. to PROFIBUS Specification
PROFIBUS DP connector	D-Sub 9-polig, male
PROFIBUS DP program connector	D-Sub 9-polig, female
PROFIBUS cable connector	M12 B coded, male + female, Pin 2 and 4, connected, Cable output: M12 female, Cable entry: M12 male
Mechanical lifetime	200 connections
Temperature range	-20 °C to +70 °C
Humidity	Max. 75 % at +25 °C, non condensing
Ingress protection class	IP30
Housing material	ZnAl
D-Sub screw connection	UNC 4-40

#### Note

### PB-DP SUB-D M12 TERM

PROFIBUS-Connector 90° M12 with switch, without programming connector



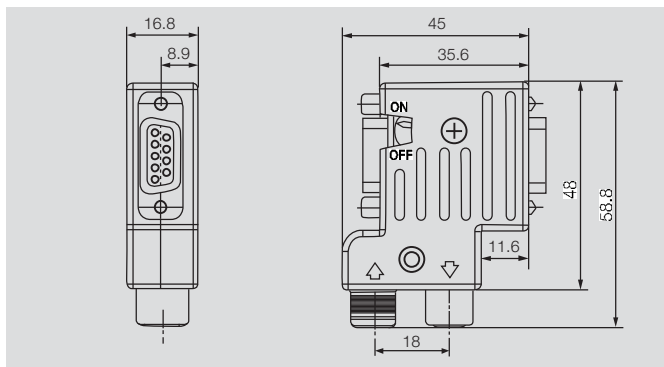
#### Ordering data

Type	Qty.	Order No.
PB-DP SUB-D M12 TERM	1	1140650000

PROFIBUS Sub-D connector with M12 (90°)

**PB-DP SUB-D M12 TERM PS**

PROFIBUS-Connector 90° M12 with switch, with programming connector



**Ordering data**

Type	Qty.	Order No.
PB-DP SUB-D M12 TERM PS	1	1140640000

**PROFIBUS-DP - connectors (M12, Sub-D)**

**PROFIBUS Sub-D Connector with tension clamp connection (35°)**

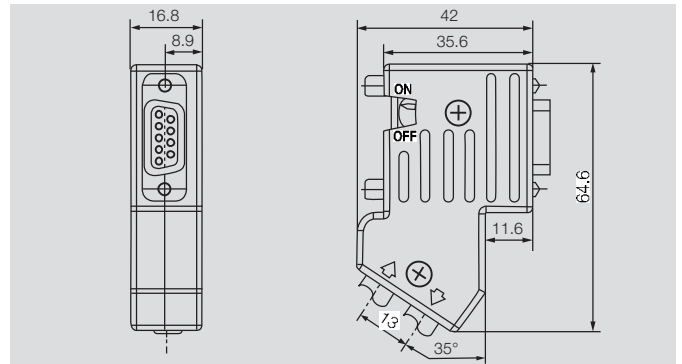
The new Sub-D Family from Weidmüller offers a fully shielded version.

**Special features:**

- Completely shielded housing
- Compact design for use in small spaces

**PB-DP SUB-D ZF35TERM**

PROFIBUS-Connector 35° with switch, without programming connector



**Technical data**

Data rate	acc. to PROFIBUS Specification, 12Mbit/s
Connector pinning	acc. to PROFIBUS Specification
PROFIBUS DP connector	D-Sub 9-polig, male
PROFIBUS DP program connector	D-Sub 9-polig, female
PROFIBUS cable connector	Tension clamp
Mechanical lifetime	200 mating cycles
Temperature range	-20 °C to +70 °C
Humidity	Max. 75 % at +25 °C, non condensing
Ingress protection class	IP30
Housing material	ZnAl
D-Sub screw connection	UNC 4-40

**Note**

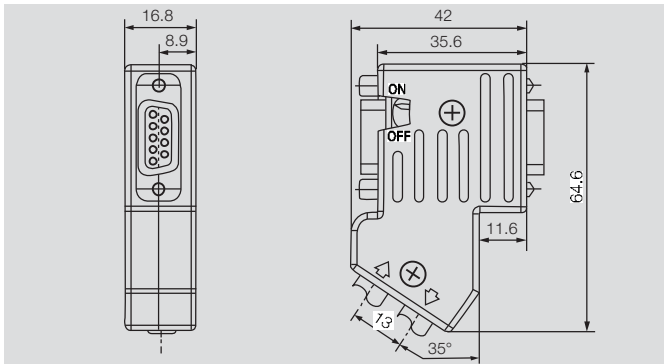
**Ordering data**

Type	Qty.	Order No.
PB-DP SUB-D ZF35TERM	1	1173220000

PROFIBUS Sub-D Connector with tension clamp connection (35°)

**PB-DP SUB-D ZF35TERM PS**

PROFIBUS-Connector 35° with switch, with programming connector



**Ordering data**

Type	Qty.	Order No.
PB-DP SUB-D ZF35TERM PS	1	1173240000

## PROFIBUS-DP - connectors (M12, Sub-D)

### PROFIBUS Sub-D Connector with tension clamp connection (90°)

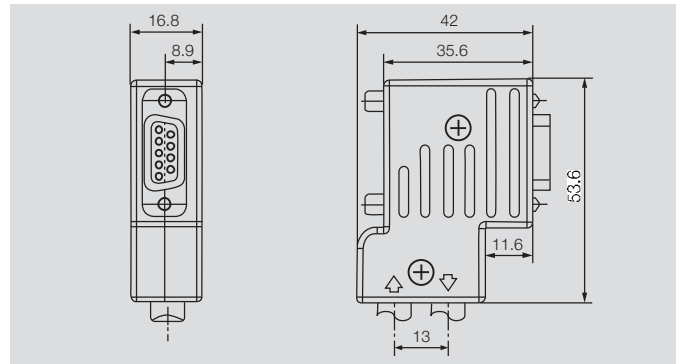
The new Sub-D Family from Weidmüller offers a fully shielded Version.

#### Special features:

- Completely shielded housing
- Compact design for use in small spaces

#### PB-DP SUB-D ZF

PROFIBUS-Connector 90° without switch, without programming connector



#### Technical data

Data rate	acc. to PROFIBUS Specification, 12Mbit/s
Connector pinning	acc. to PROFIBUS Specification
PROFIBUS DP connector	D-Sub 9-polig, male
PROFIBUS DP program connector	D-Sub 9-polig, female
PROFIBUS cable connector	Tension clamp
Mechanical lifetime	200 mating cycles
Temperature range	-20 °C to +70 °C
Humidity	Max. 75 % at +25 °C, non condensing
Ingress protection class	IP30
Housing material	ZnAl
D Sub screw connection	UNC 4-40

#### Note

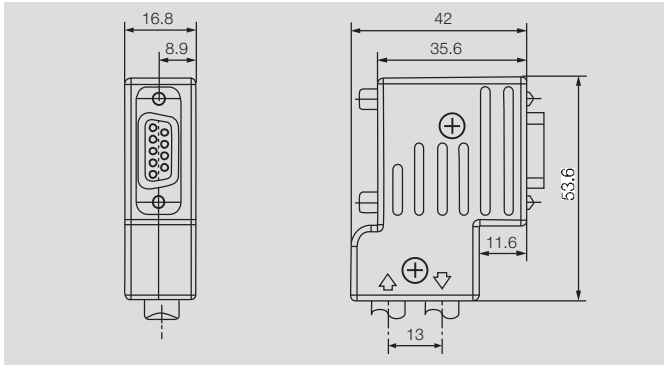
#### Ordering data

Type	Qty.	Order No.
PB-DP SUB-D ZF	1	1161890000

PROFIBUS Sub-D Connector with tension clamp connection (90°)

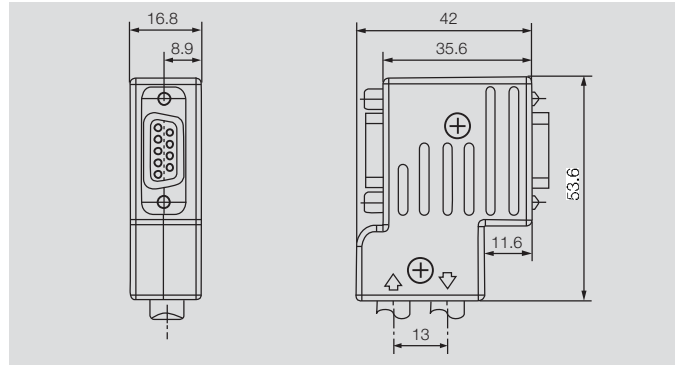
**PB-DP SUB-D ZF TERM**

PROFIBUS-Connector 90° with switch, without programming connector



**PB-DP SUB-D ZF TERM PS**

PROFIBUS-Connector 90° with switch, with programming connector



**Ordering data**

Type	Qty.	Order No.
PB-DP SUB-D ZF TERM	1	1161870000

**Ordering data**

Type	Qty.	Order No.
PB-DP SUB-D ZF TERM PS	1	1161880000

## X-ON Electronics

Largest Supplier of Electrical and Electronic Components

*Click to view similar products for [weidmuller](#) manufacturer:*

Other Similar products are found below :

[8924550000](#) [56956](#) [0133660000](#) [6720000227](#) [6720005111](#) [68676](#) [69718](#) [EXO24CH](#) [7760056106](#) [7760056348](#) [7940000218](#) [8005181001](#)  
[8008180000](#) [8432240000](#) [8463580000](#) [8545830000](#) [8689870000](#) [8705640000](#) [9001080000](#) [9003720000](#) [9004250000](#) [9004780000](#)  
[9013260000](#) [9014100000](#) [9019040000](#) [9026010000](#) [9028630000](#) [903708](#) [9037350000](#) [9046290000](#) [9129643500](#) [913155](#) [9159530000](#)  
[919656](#) [919764](#) [9202230000](#) [9202850000](#) [9456750000](#) [9457913000](#) [980811](#) [980826](#) [9912800003](#) [9916080000](#) [9916280012](#) [9918380000](#)  
[9919371205](#) [9919371224](#) [9925710000](#) [9927480024](#) [1166660000](#)