

3M™ Round, Jacketed, Flat Cable

.050" 28 AWG Stranded, Mass-Term, PVC/PVC

3759 Series



- Round construction permits easier routing
- 28 AWG wire on .050 inch centers permits mass termination to broad line of IDC connectors
- Continuous split/bond repeat allows for mass termination on 2.4 inch centers (approximate)
- Meets external wiring requirements of National Electrical Code, Article 725 (CL2)
- Primary cable is zippable for branching or discrete terminations.
- UL listed for USA and Canadian markets
- *RoHS compliant

Date Modified: May 24, 2004

TS-0070-20
Sheet 1 of 2


Physical

Jacket

Material: Polyvinyl Chloride (PVC)
Color: Black

Primary Material: PVC
Color: Gray

Marking

Standard: (UL) CL2 75C 28 AWG OR AWM 20267 3M NU  AWM IIA/B 80C 300V FT1
EU <50V

Conductors: 28 AWG 7 × 36 [7 × 0.127] Tinned Stranded Copper

Inner Wrap: Polyester Film

Electrical

Voltage Rating:	USA: N.E.C. 725, CL2 or AWM; 300V	Canada: 300V	EU: <50V
Insulation Resistance:	(Primary Cable) > 1 × 10 ¹⁰ Ω/10 ft. [3m]		
	Unbalanced	Balanced	
Characteristic Impedance:	90 Ω	133 Ω	
Capacitance:	16.7 pF/ft (54.8 pF/m)	11.9 pF/ft (39.0 pF/m)	
Inductance:	14 μH/ft (0.46 μH/m)	.21 μH/ft (0.69 μH/m)	
Propagation Delay:	1.50 ns/ft (4.92 ns/m)	1.58 ns/ft (5.18 ns/m)	
Velocity of Propagation:	68%	64%	

Note: Unbalanced is measured between ground-signal-ground conductors. Balanced is measured between conductors within a pair.

Environmental

Temperature Rating: USA: CL2; 75°C or AWM; -20°C to +80°C Canada: 80°C

Flammability Rating: USA: N.E.C. 725, CL2 Canada: FT1

*RoHS = Directive 2002/95/EC,
Restriction of the Use of Certain Hazardous Substances in Electrical and Electronic Equipment

UL File No.: E118773, Power Limited Circuit Cable: CL2 (or AWM Style 20267)

3M
Interconnect Solutions
<http://www.3M.com/interconnects/>

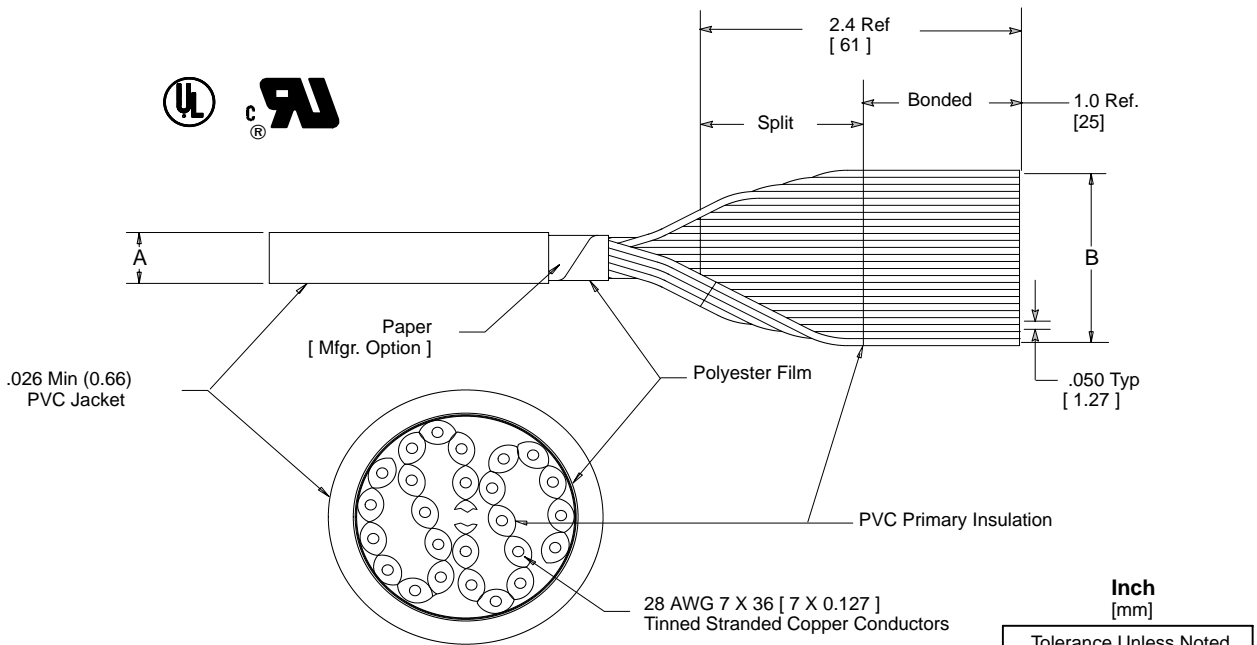
3M is a trademark of 3M Company.
For technical, sales or ordering information call
800-225-5373

3M™ Round, Jacketed, Flat Cable

.050" 28 AWG Stranded, Mass-Term, PVC/PVC

3759 Series

Number of Conductors	3M Part Number	Dimension A ± .03	Dimension B (See Note 2)
09	3759/09	0.26 [6.6]	0.40 [10.2]
10	3759/10	0.26 [6.6]	0.45 [11.4]
14	3759/14	0.27 [6.9]	0.65 [16.5]
15	3759/15	0.27 [6.9]	0.70 [17.8]
16	3759/16	0.27 [6.9]	0.75 [19.1]
20	3759/20	0.30 [7.6]	0.95 [24.1]
24	3759/24	0.33 [8.4]	1.15 [29.2]
25	3759/25	0.33 [8.4]	1.20 [30.5]
26	3759/26	0.33 [8.4]	1.25 [31.8]
30	3759/30	0.37 [9.4]	1.45 [36.8]
34	3759/34	0.37 [9.4]	1.65 [41.9]
36	3759/36	0.39 [9.9]	1.75 [44.5]
37	3759/37	0.39 [9.9]	1.80 [45.7]
40	3759/40	0.39 [9.9]	1.95 [49.5]
50	3759/50	0.44 [11.2]	2.45 [62.2]
60	3759/60	0.47 [11.9]	2.95 [74.9]
64	3759/64	0.50 [12.7]	3.15 [80.0]



- Notes:
1. Red marking on one edge of primary cable designates wire #1.
 2. Dimension B pertains to bonded area only.

Inch [mm]			
Tolerance Unless Noted			
	.0	.00	.000
Inch	±.1	±.05	±.010

[] Dimensions for Reference only

Ordering Information

3759/XX
 |
 Number of Conductors
 (See Table)

Note: Available in standard length of 100 or 300 ft/roll, please specify when ordering.

TS-0070-20
 Sheet 2 of 2

Important Notice

All statements, technical information, and recommendations related to 3M's products are based on information believed to be reliable, but the accuracy or completeness is not guaranteed. Before using this product, you must evaluate it and determine if it is suitable for your intended application. You assume all risks and liability associated with such use. Any statements related to the product which are not contained in 3M's current publications, or any contrary statements contained on your purchase order shall have no force or effect unless expressly agreed upon, in writing, by an authorized officer of 3M.



Electronic Solutions Division

6801 River Place Blvd.
Austin, TX 78726-9000
www.3M.com/esd

Warranty; Limited Remedy; Limited Liability.

This product will be free from defects in material and manufacture for a period of 1 year from the date of purchase. **3M MAKES NO OTHER WARRANTIES INCLUDING, BUT NOT LIMITED TO, ANY IMPLIED WARRANTY OF MERCHANTABILITY OR FITNESS FOR A PARTICULAR PURPOSE.** If this product is defective within the warranty period stated above, your exclusive remedy shall be, at 3M's option, to replace or repair the 3M product or refund the purchase price of the 3M product. **Except where prohibited by law, 3M will not be liable for any loss or damage arising from this 3M product, whether direct, indirect, special, incidental or consequential regardless of the legal theory asserted.**

X-ON Electronics

Largest Supplier of Electrical and Electronic Components

Click to view similar products for [3m manufacturer](#):

Other Similar products are found below :

[SC401U](#) [98-0003-3071-6](#) [80-0012-6467-2](#) [00-054007-70220-7](#) [00-054007-34717-0](#) [021200-40230](#) [6840-2X50-GRAY](#) [701-W](#) [7993MP-2CIRCLE-100](#) [FDV14-187C](#) [8124/14](#) [812510-100](#) [8125/17](#) [813216](#) [8204-3LFM](#) [8425-8](#) [MNG14BCX](#) [FP301-1-6"-Clear](#) [FV14-6C](#) [920102-01-25-R](#) [927739-40](#) [929835-01-28-RK](#) [929836-09-16](#) [929974-01-40-R](#) [951240-2520-AR-PR](#) [960X/980X](#) [98-0003-3075-7](#) [HF36564-100](#) [HF625/26-30](#) [1/2-5-5430](#) [1/2-5-850S](#) [1/2-5-3431](#) [12X12-6-4056B](#) [12X12-6-433](#) [12X12-6-4930](#) [13-500-NB](#) [14526-EZ5B-300-02C](#) [1-4-4658F](#) [14520-EZAB-300-0EC](#) [DSTK9013-3420](#) [DSTK9015-3402](#) [14T26-SZLB-200-0LC](#) [14T50-SZWB-100-0NC](#) [1-5-3437](#) [1-5-4496W](#) [1-5-4943F](#) [1-5-363](#) [1-5-5451](#) [1-5-421](#) [158250-0120](#)