

# Differential Pressure Switches Model A2G-40, air2guide S



WIKA Data Sheet SP 69.02

## Applications

- For dry, clean, non-aggressive gases, mainly air
- Monitoring of ventilators, blowers and filters in the HVAC and UHP industries
- Overpressure monitoring in cleanrooms and laboratories

## Special Features

- Easy installation and mounting
- Highly reliable
- Robust housing and functional design
- Standard accessories included



Differential Pressure Switch air2guide S,  
Model A2G-40

## Description

### Version

In accordance with the European low-voltage directive 73/23/EEC

### Accuracy

Low: 20 Pa  $\pm$ 5 Pa ... 500 Pa  $\pm$ 50 Pa

High: 200 Pa  $\pm$ 20 Pa ... 4500 Pa  $\pm$ 200 Pa

### Switching hysteresis

10 Pa ... 180 Pa

### Measuring ranges

20 ... 200 Pa

30 ... 300 Pa

30 ... 500 Pa

40 ... 600 Pa

100 ... 1500 Pa

500 ... 4500 Pa

### Maximum pressure

50 kPa

### Operating temperature

Ambient: -40 ... +85 °C

Medium: -20 ... +60 °C

### Ingress protection

IP 54 per EN 60 529 / IEC 529

### Weight

150 g

## Standard version

### Process connection

Connecting nozzle (ABS)

### Membrane

Silicone

### Case

Plastic (ABS)

### Window

Polycarbonate

### Gaskets

Plastic

### Standard accessories

2 fixing screws

2 plastic duct connectors

2 m PVC hose, inner diameter 4 mm

### Electrical connection

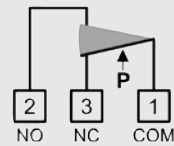
screw terminals

PG-gland M16

### Microswitch

Silver contacts

#### Wiring diagram

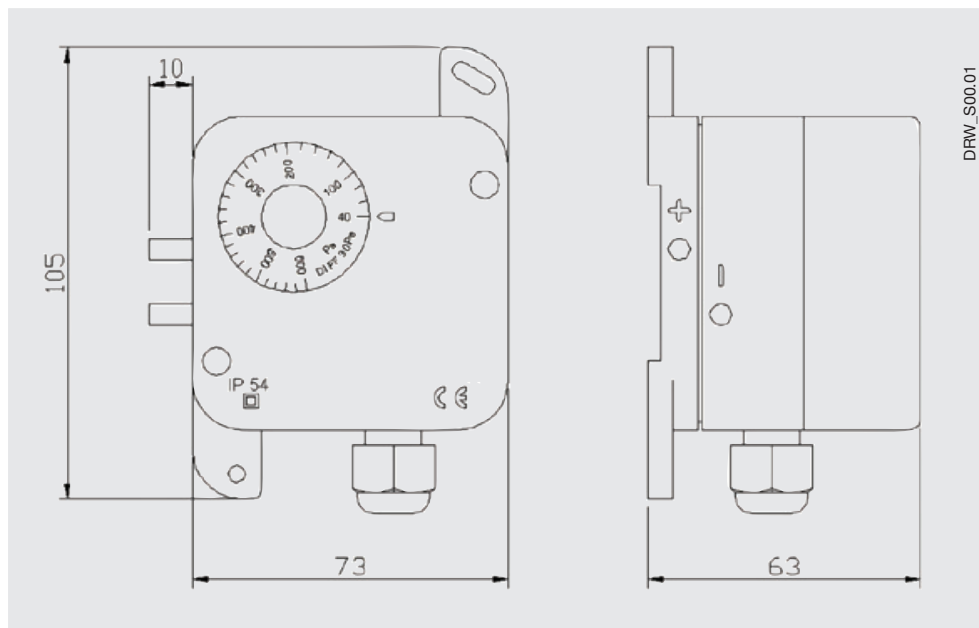


1-3 opens / 1-2 closes on reaching the set point (differential pressure)

### Contact rating

Measuring ranges	Contact rating		Contact material
	With resistive load	With inductive load	
20 ... 200 Pa	0.1 A / 250 V AC	-	gold
30 ... 300 Pa	3 A / 250 V AC	2 A / 250 V AC	silver
30 ... 500 Pa	3 A / 250 V AC	2 A / 250 V AC	silver
40 ... 600 Pa	3 A / 250 V AC	2 A / 250 V AC	silver
100 ... 1500 Pa	3 A / 250 V AC	2 A / 250 V AC	silver
500 ... 4500 Pa	5 A / 250 V AC	2 A / 250 V AC	silver

## Dimensions in mm



Modifications may take place and materials specified may be replaced by others without prior notice. Specifications and dimensions given in this leaflet represent the state of engineering at the time of printing.



## X-ON Electronics

Largest Supplier of Electrical and Electronic Components

*Click to view similar products for [Speakers & Transducers](#) category:*

*Click to view products by [Wika](#) manufacturer:*

Other Similar products are found below :

[AS02016MR-2-R](#) [PB-1220PE](#) [PB-2015PQ](#) [900-00001](#) [SMT-2240-TW-2-R](#) [SWFK-31736-000](#) [PT-2065FW](#) [PT-4175W](#) [AT-2830-TW-LW35-R](#) [ED-30761-000](#) [ED-31305-163](#) [CI-30120-A42](#) [TWFK-23991-000](#) [PB-0927PQ](#) [BF-7083-000](#) [AB6505B](#) [AS01708MR-SC-2-R](#) [AT-5030-TF-2-LW100-R](#) [AST-03008MR-R](#) [AS04008PS-4W-R](#) [AS01308MR-2-R](#) [AS01808AO-WP-R](#) [AS01508MR-6-R](#) [AS07108PO-R](#) [AS07708PS-2-WR-R](#) [AS07104PO-R](#) [SMS2020-08H4.5 LF](#) [BDT1717-08H6.5W56MLF](#) [SMS-2008MS-R](#) [AS04008PS-4W-WR-R](#) [AS06608PS-WR-R](#) [BLS50-1-08H18.2B-03 LF](#) [AS03008MR-R](#) [AS04008CO-2-R](#) [AS04008PR-WR-R](#) [ASE03008MR-LW150-R](#) [AS01808MR-LW152-R](#) [AS01808MR-R](#) [AS03608MR-4-R](#) [AS06608PS-R](#) [AS07708PS-2-R](#) [AS07108PO-3-R](#) [ASE06008MR-LW150-R](#) [ASE02008MR-LW150-R](#) [AST-1732MR-R](#) [SMS-1508MS-2-R](#) [AS05708MR-R](#) [AS07004PO-WR-R](#) [AS05008MR-R](#) [APS3008S-R](#)