

# HAND HELD CASES

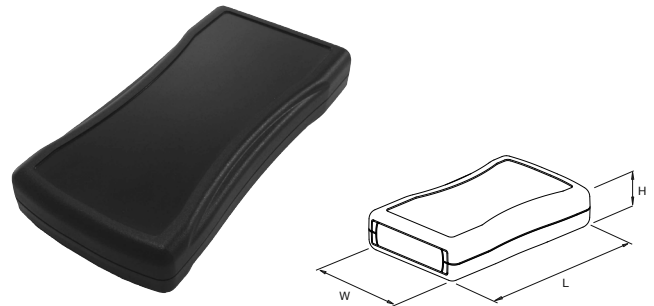
## 45 Series Palm Cases

Ergonomically designed range of hand-held enclosures, with battery compartment and rubber boot options.

- Moulded in UL94-5VA Flame Retardant ABS
- Lid mounted by four self-tapping screws
- Removable end panel for ease of access and ideal for machining
- ABS end panel version as standard, infra-red end panel version to order
- Sliding battery compartment lid options for AA or 9V PP3 batteries (contacts/strap included)
- Plain / no battery compartment version available to order
- Textured lid versions for consistent all over surface finish
- Smooth recess lid version for membrane keypads or overlays
- PCB pillars moulded in lid and base, screws available to order
- Recess in base for product labels

### SPECIFICATION

Material	Lid, base and end-panel in UL94-5VA ABS
Operating Temperature	Resistant to temperatures of up to 85°C
Protection class	IP54
Standard colours	Black as standard Ivory to order
Standard unit includes	Lid, base, end-panel & battery-lid 4x self-tapping screws Battery contacts/strap (+foam pad with 9V)
Options	Rubber boot



### AA battery compartment

TEXTURED LID	RECESSED LID	SIZE	LENGTH	WIDTH	HEIGHT
CHH451ABK	CHH456ABK	1	117.5mm	72.5mm	25.5mm
CHH452ABK	CHH457ABK	2	139.5mm	82.5mm	26mm
CHH453ABK	CHH458ABK	3	165mm	82.5mm	26mm



### 9V PP3 battery compartment

TEXTURED LID	RECESSED LID	SIZE	LENGTH	WIDTH	HEIGHT
CHH451PBK	CHH456PBK	1	117.5mm	72.5mm	25.5mm
CHH452PBK	CHH457PBK	2	139.5mm	82.5mm	26mm
CHH453PBK	CHH458PBK	3	165mm	82.5mm	26mm



### Rubber Boot

- Flexible open faced removable silicon rubber boot
- Fits tightly over base, sides and around edges of lid
- Belt strap incorporated into back, covers battery compartment
- Suitable for any battery compartment, with textured or recessed lid
- Available in all three sizes, in three colours

BLACK	RED	BLUE	SIZE
CHH451BBK	CHH451BRD	CHH451BBL	1
CHH452BBK	CHH452BRD	CHH452BBL	2
CHH453BBK	CHH453BRD	CHH453BBL	3



## X-ON Electronics

Largest Supplier of Electrical and Electronic Components

*Click to view similar products for [camden manufacturer](#):*

Other Similar products are found below :

[412689X](#) [CTBP92VE/12R](#) [CTBP9350/12](#) [IND515205-240-T/GRN](#) [IND515205-240-T/RD](#) [IND5032405-240-T/GRN](#) [CE10.00.EI](#)  
[C192SHAND](#) [CNMB/6ST/2](#) [CNMB/4ST/2](#) [CSACST004](#) [CTBP9200/9](#) [CIME/M/BE2250SS](#) [CHH64E1BL](#) [CIM/15W-DMFS](#) [CHHBAT2GY](#)  
[CFTBN/2](#) [CCB2S1/04](#) [CHDX6-221C](#) [CHDX8-224](#) [CHDASMP29](#) [CHDASMP30](#) [CHDASMP34](#) [CHDX810DD](#) [CHDX811DD](#)  
[CCTTM40LR](#) [CTBP92VJ/5S](#) [CTBP92VJ/8R](#) [CTSN431/12/M](#) [CTSN433/12/M](#) [CUABOX006](#) [CE10.00.FM](#) [CBRPH-BLK](#) [BIM2003/13-](#)  
[WH/WH](#) [RX2008/S-5-WH](#) [CBARD-CAR](#) [CRDCG0007](#) [CNMB/4/KIT](#) [CTB5050/5](#) [CTBP92HE/11](#) [CTBP9358/10AO](#) [CHH66C2GY](#)  
[CHH456PBK](#) [CHH451ABK](#) [CIM/9W-DMFS](#) [CIM/25W-DMFS](#) [RTM5006/16-NC-BLK](#) [IND5032405-125-T/AMB](#) [CCB1S1/03](#) [CCD2S1/04](#)