

3M™ Round, Shielded Jacketed, Disc. Wire Cable

28 AWG Stranded, Twisted Pair, PVC/PVC

3600X Series



- Meets external wiring requirements of National Electrical Code, Article 725 (CL2)
- 28 AWG stranded wire provides flexibility
- Twisted pairs reduce crosstalk for balanced drive applications
- Dual shielding with aluminum film foil and copper braid provides excellent EMI/ESD protection
- Wires are color coded for easy identification
- 35 db average shielding effectiveness
- RoHS* compliant

Date Modified: December 13, 2005

TS-0388-22
Sheet 1 of 2

Physical

Jacket

Material: Polyvinyl Chloride (PVC)

Color: Beige

Primary Material: PVC

Marking:

Standard: (UL) CL2 75C 28 AWG 3M XX
CSA AWM II A/B 80C 150V FT1 EU <50V
(where XX may be NU, MR or NW)

Conductors: 28 AWG 7 × 36 [7 × 0.127] Tinned Stranded Copper

Shielding: .001 [0.03] Thick Aluminum/Polyester Film Foil and 90% Coverage Tinned Copper Braid

Electrical

Voltage Rating: USA: N.E.C. 725, CL2 Canada: 150V EU: <50V

Insulation Resistance: (Primary Cable) > 1 × 10¹⁰ Ω/10 ft. [3m]

Unbalanced

Balanced

Characteristic Impedance: 58 Ω

91 Ω

Capacitance: 29.2 pF/ft (95.8 pF/m)

15.3 pF/ft (50.2 pF/m)

Inductance: .10 μH/ft (0.33 μH/m)

.15 μH/ft (0.49 μH/m)

Propagation Delay: 1.69 ns/ft (5.54 ns/m)

1.69 ns/ft (5.54 ns/m)

Velocity of Propagation: 60%

60%

Note: Unbalanced is measured between conductors within a pair with one conductor connected to the shield. Balanced is measured between conductors within a pair with the shield floating.

Environmental

Temperature Rating: USA: CL2: 75°C Max Canada: 80°C

Flammability Rating: USA: N.E.C. 725, CL2 Canada: FT1

UL File No.: E118773, Power Limited Circuit Cable; CL2

RoHS compliant means that the product or part does not contain any of the following substances in excess of the following maximum concentration values in any homogeneous material, unless the substance is in an application that is exempt under RoHS: (a) 0.1% (by weight) for lead, mercury, hexavalent chromium, polybrominated biphenyls or polybrominated diphenyl ethers; or (b) 0.01% (by weight) for cadmium. Unless otherwise stated in writing by 3M, this information represents 3M's knowledge and belief based on information provided by third party suppliers to 3M.

3M

Interconnect Solutions

<http://www.3M.com/interconnects/>

3M is a trademark of 3M Company.

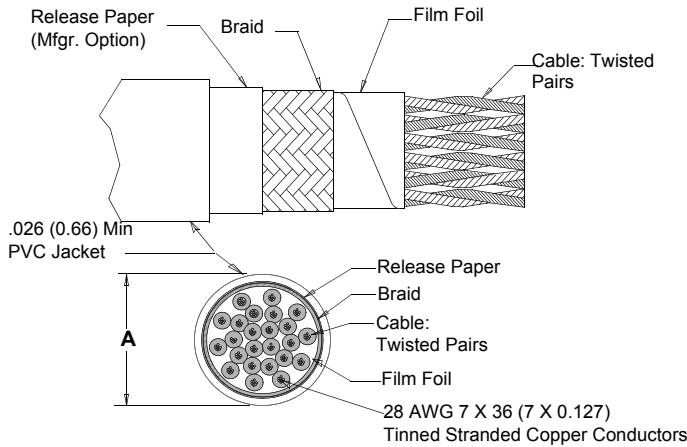
For technical, sales or ordering information call

800-225-5373

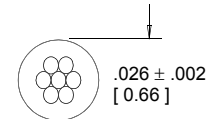
3M™ Round, Shielded Jacketed, Disc. Wire Cable

28 AWG Stranded, Twisted Pair, PVC/PVC

3600X Series



| Number of Conductors | 3M Part Number | Dimension A ± .02 |
|----------------------|----------------|-------------------|
| 14 (7 pair) | 3600X/14 | .22 [5.6] |
| 20 (10 pair) | 3600X/20 | .24 [6.1] |
| 24 (12 pair) | 3600X/24 | .25 [6.4] |
| 26 (13 pair) | 3600X/26 | .25 [6.4] |
| 36 (18 pair) | 3600X/36 | .29 [7.4] |
| 40 (20 pair) | 3600X/40 | .30 [7.6] |
| 50 (25 pair) | 3600X/50 | .32 [8.1] |
| 68 (34 pair) | 3600X/68 | .36 [9.1] |
| 80 (40 pair) | 3600X/80 | .39 [9.9] |
| 100 (50 pair) | 3600X/100 | .44 [11.2] |



Discrete Wire Detail

Pair Identification

| Pair | Cond | 1st Conductor | | Cond | 2nd Conductor | | Pair | Cond | 1st Conductor | | Cond | 2nd Conductor | |
|------|------|---------------|--------|------|---------------|-------|------|------|---------------|--------|------|---------------|--------|
| | | Solid | Band | | Solid | Band | | | Solid | Band | | Solid | Band |
| 1 | 1 | Black | Red | 2 | Red | Black | 26 | 51 | Brown | Yellow | 52 | Yellow | Brown |
| 2 | 3 | Black | White | 4 | White | Black | 27 | 53 | Brown | Orange | 54 | Orange | Brown |
| 3 | 5 | Black | Green | 6 | Green | Black | 28 | 55 | Orange | Yellow | 56 | Yellow | Orange |
| 4 | 7 | Black | Blue | 8 | Blue | Black | 29 | 57 | Violet | Orange | 58 | Orange | Violet |
| 5 | 9 | Black | Yellow | 10 | Yellow | Black | 30 | 59 | Violet | Red | 60 | Red | Violet |
| 6 | 11 | Black | Brown | 12 | Brown | Black | 31 | 61 | Violet | White | 62 | White | Violet |
| 7 | 13 | Black | Orange | 14 | Orange | Black | 32 | 63 | Violet | Green | 64 | Green | Violet |
| 8 | 15 | Red | White | 16 | White | Red | 33 | 65 | Violet | Blue | 66 | Blue | Violet |
| 9 | 17 | Red | Green | 18 | Green | Red | 34 | 67 | Violet | Yellow | 68 | Yellow | Violet |
| 10 | 19 | Red | Blue | 20 | Blue | Red | 35 | 69 | Violet | Brown | 70 | Brown | Violet |
| 11 | 21 | Red | Yellow | 22 | Yellow | Red | 36 | 71 | Violet | Black | 72 | Black | Violet |
| 12 | 23 | Red | Brown | 24 | Brown | Red | 37 | 73 | Gray | White | 74 | White | Gray |
| 13 | 25 | Red | Orange | 26 | Orange | Red | 38 | 75 | Gray | Brown | 76 | Brown | Gray |
| 14 | 27 | Green | White | 28 | White | Green | 39 | 77 | Gray | Red | 78 | Red | Gray |
| 15 | 29 | Green | Blue | 30 | Blue | Green | 40 | 79 | Gray | Orange | 80 | Orange | Gray |
| 16 | 31 | Green | Yellow | 32 | Yellow | Green | 41 | 81 | Gray | Yellow | 82 | Yellow | Gray |
| 17 | 33 | Green | Brown | 34 | Brown | Green | 42 | 83 | Gray | Green | 84 | Green | Gray |
| 18 | 35 | Green | Orange | 36 | Orange | Green | 43 | 85 | Gray | Blue | 86 | Blue | Gray |
| 19 | 37 | White | Blue | 38 | Blue | White | 44 | 87 | Tan | Orange | 88 | Orange | Tan |
| 20 | 39 | White | Yellow | 40 | Yellow | White | 45 | 89 | Tan | Green | 90 | Green | Tan |
| 21 | 41 | White | Brown | 42 | Brown | White | 46 | 91 | Tan | Black | 92 | Black | Tan |
| 22 | 43 | White | Orange | 44 | Orange | White | 47 | 93 | Tan | Blue | 94 | Blue | Tan |
| 23 | 45 | Blue | Yellow | 46 | Yellow | Blue | 48 | 95 | Tan | White | 96 | White | Tan |
| 24 | 47 | Blue | Brown | 48 | Brown | Blue | 49 | 97 | Tan | Yellow | 98 | Yellow | Tan |
| 25 | 49 | Blue | Orange | 50 | Orange | Blue | 50 | 99 | Tan | Brown | 100 | Brown | Tan |

Inch [mm]

| Tolerance Unless Noted | | | |
|------------------------|-----|------|-------|
| Inch | .0 | .00 | .000 |
| | ±.1 | ±.05 | ±.010 |

[] Dimensions for Reference only

Ordering Information

3600X/XX

Jacket Color Options: _____
 A = "Special" Black Jacket
 B = "Standard" Beige Jacket
 G = "Special" Gray Jacket

Number of Conductors (See Table)

Note: Standard length of 14 through 68 conductor cables is 300 ft roll. Standard length of 80 and 100 conductor cables is 200 ft roll.

TS-0388-22
Sheet 2 of 2

Important Notice

All statements, technical information, and recommendations related to 3M's products are based on information believed to be reliable, but the accuracy or completeness is not guaranteed. Before using this product, you must evaluate it and determine if it is suitable for your intended application. You assume all risks and liability associated with such use. Any statements related to the product which are not contained in 3M's current publications, or any contrary statements contained on your purchase order shall have no force or effect unless expressly agreed upon, in writing, by an authorized officer of 3M.



3M Electronics

6801 River Place Blvd.
Austin, TX 78726-9000
800/225-5373
www.3M.com/electronics

Warranty; Limited Remedy; Limited Liability.

This product will be free from defects in material and manufacture for a period of one (1) year from the time of purchase. **3M MAKES NO OTHER WARRANTIES INCLUDING, BUT NOT LIMITED TO, ANY IMPLIED WARRANTY OF MERCHANTABILITY OR FITNESS FOR A PARTICULAR PURPOSE.** If this product is defective within the warranty period stated above, your exclusive remedy shall be, at 3M's option, to replace or repair the 3M product or refund the purchase price of the 3M product. **Except where prohibited by law, 3M will not be liable for any indirect, special, incidental or consequential loss or damage arising from this 3M product, regardless of the legal theory asserted.**



*Minimum 10%
Post-Consumer Fiber*

Printed in USA.

© 3M 2005

X-ON Electronics

Largest Supplier of Electrical and Electronic Components

Click to view similar products for [Multi-Conductor Cables](#) category:

Click to view products by [3M](#) manufacturer:

Other Similar products are found below :

[89182-010-1000](#) [89705-008-500](#) [6000FE-877-1000](#) [CS2885-000](#) [M27500-20SP2S23](#) [6300FE-877-U1000](#) [6309UE-877-1000](#) [M3905-BK005](#)
[6502FE 8771000](#) [6541PA-008-U1000](#) [CV6807-000](#) [CW9530-000](#) [CX6543-000](#) [CXA-0066-20-4-9CS2973](#) [CXA-0078-16-1-9CS2405](#) [CXA-](#)
[0078-22-4-9CS2405](#) [CXA-0078-24-4-9CS2405](#) [CXA-0140-16-6/9-9CS2405](#) [CY0660-000](#) [720451-000](#) [752687-000](#) [768146-000](#) [773159-000](#)
[82841-877-5000](#) [83318E-009-500](#) [8348-060-500](#) [83559-002-1000](#) [83653-002-5000](#) [83659-002-1000](#) [83709-002-1000](#) [8404-060-500](#) [8469](#)
[060100](#) [858171-000](#) [8628-060-500](#) [868361-001](#) [8730-060-1000](#) [8737-060-U1000](#) [8747-060-100](#) [8747-060-1000](#) [8769-060-1000](#) [8775-060-](#)
[500](#) [8780-060-1000](#) [8782-001-U1000](#) [88444-002-1000](#) [9159-060-500](#) [939870-000](#) [9423 060U500](#) [9444 060U1000](#) [9497 0001000](#) [9515-060-](#)
[1000](#)