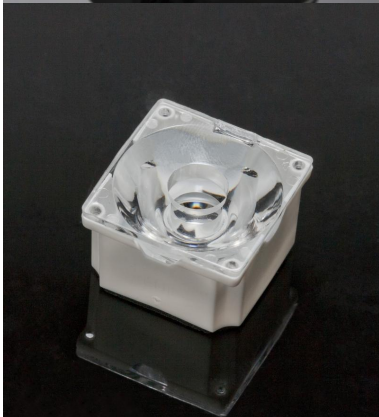


**Product number CA10610_NIS83-MX-2-RS**

Family	Rose	FWHM	12 degrees
Type	Assembly	Efficiency	-
LED	MX-6	cd/lm	-
Color	White	Gerber File	Available
Diameter	21.6 + 21.6 mm		
Height	13.5 mm		
Style	Square		
Optic Material	PMMA		
Holder Material	PC		
Fastening	Tape		
Status	On production		

**Product number CA13621_G2-NIS83-MX-2-RS**

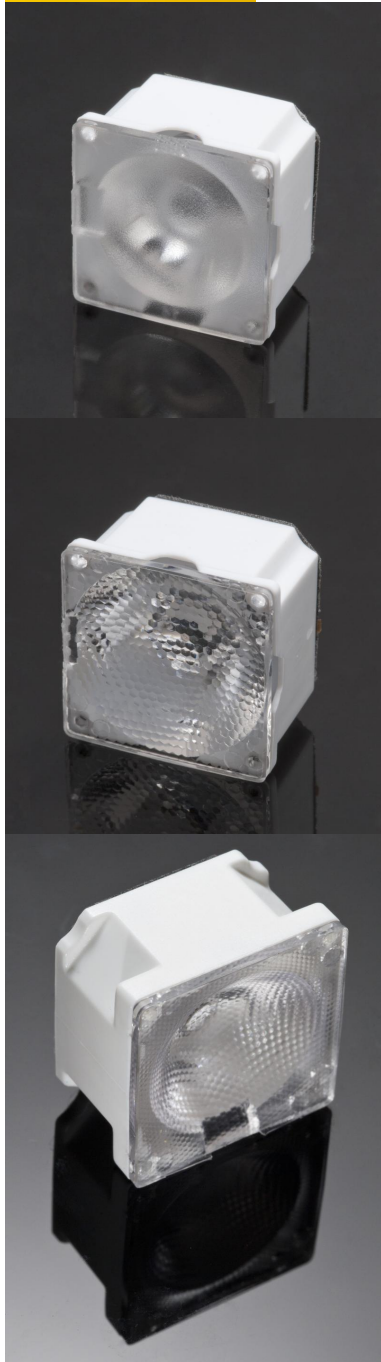
Family	Rose	FWHM	12 degrees
Type	Assembly	Efficiency	-
LED	MX-6	cd/lm	(simulated) 0.000
Color	White	Gerber File	Available
Diameter	21.6*21.6 mm		
Height	13.5 mm		
Style	Square		
Optic Material	PMMA		
Holder Material	PC		
Fastening	Tape		
Status	On production		

**Product number CA10608_NIS83-MX-2-D**

Family	Rose	FWHM	17 degrees
Type	Assembly	Efficiency	-
LED	MX-6	cd/lm	-
Color	White	Gerber File	Available
Diameter	21.6 + 21.6 mm		
Height	13.5 mm		
Style	Square		
Optic Material	PMMA		
Holder Material	PC		
Fastening	Tape		
Status	On production		

**Product number CA10609_NIS83-MX-2-SS**

Family	Rose	FWHM	17 degrees
Type	Assembly	Efficiency	-
LED	MX-6	cd/lm	-
Color	White	Gerber File	Available
Diameter	21.6 + 21.6 mm		
Height	13.5 mm		
Style	Square		
Optic Material	PMMA		
Holder Material	PC		
Fastening	Tape		
Status	On production		

**Product number CA13619_G2-NIS83-MX-2-D**

Family	Rose	FWHM	17 degrees
Type	Assembly	Efficiency	-
LED	MX-6	cd/lm	(simulated) 0.000
Color	White	Gerber File	Available
Diameter	21.6*21.6 mm		
Height	13.5 mm		
Style	Square		
Optic Material	PMMA		
Holder Material	PC		
Fastening	Tape		
Status	On production		

Product number CA13620_G2-NIS83-MX-2-SS

Family	Rose	FWHM	17 degrees
Type	Assembly	Efficiency	-
LED	MX-6	cd/lm	(simulated) 0.000
Color	White	Gerber File	Available
Diameter	21.6*21.6 mm		
Height	13.5 mm		
Style	Square		
Optic Material	PMMA		
Holder Material	PC		
Fastening	Tape		
Status	On production		

Product number FA10344_NIS83-MX-W

Family	Rose	FWHM	36 degrees
Type	Assembly	Efficiency	84 %
LED	MX-6	cd/lm	-
Color	White	Gerber File	Available
Diameter	21.6 + 21.6 mm		
Height	13.5 mm		
Style	Square		
Optic Material	PC		
Holder Material	PC		
Fastening	Tape		
Status	On production		

NOTE: The typical divergence will be changed by different color, chip size and chip position tolerance. The typical total divergence is the full angle measured where the luminous intensity is half of the peak value.



PRODUCT DATASHEET

Rose series

last update 10/12/2012

GENERAL INFORMATION

- Product series especially designed & optimized for MX-6 series of LEDs.
- Special care taken to make light distribution as uniform as possible.
- Lens material optical grade PMMA with high UV and temperature resistance. Allows use of high current and temperature conditions.

Please find more information about used material from below:

http://ledil.fi/sites/default/files/Documents/Technical/Material/PMMA%20N%20UL94_Yellow%20Card.pdf

<http://ledil.fi/sites/default/files/Documents/Technical/Material/PMMA%20N%20PLEXIGLAS-Datasheet.pdf>

- Lens material optical grade PC with high UV and temperature resistance (120 degrees of Celcius / 248 degrees of Fahrenheit). Allows use of high current and temperature conditions.

Please find more information about used materials from below:

http://ledil.fi/sites/default/files/Documents/Technical/Material/PC%20Makrolon%202400_2407_2456_2458-UL.pdf

- Optic holder molded by high quality PC material (120 dergees of Celcius / 248 degrees of Fahrenheit).

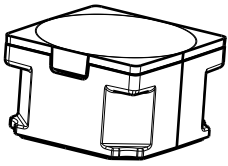
- Fastening to heat sink with a PU foam adhesive tape of automotive grade. Please find fastening details by clicking link: http://www.ledil.com/datasheets/DataSheet_TAPE.pdf

NOTE 1: We advise customer to ensure the suitability and sufficiency of the bond in the end product. For example, mechanical stress, vibration and holes on the surface of the circuit board weaken the strength of the tape.

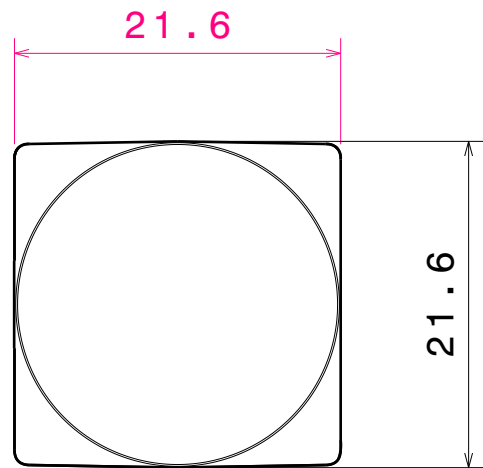
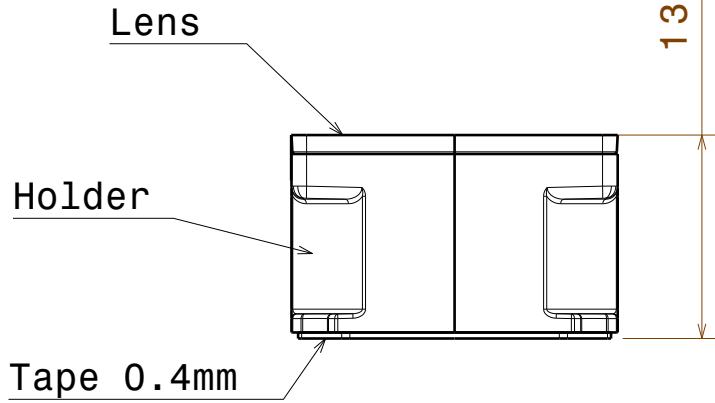
NOTE 2: Assembly to the surface must be made straight, so the tape bonds constant and balanced with fastening surface. Slanted assembly might cause unbalanced bond to the surface. All surfaces where tape is applied must be clean, dry and free from grease and dirt.

If cleaning of PCB surfaces is needed, please follow strictly the cleaning instructions of your LED manufacturer - this is important as cleaning shall under no circumstances damage LEDs or other electronics components on the PCB.

Further note that optical components shall not be cleaned with any chemicals - only micro fiber cloth may be used to remove fingerprints or other traces from handling.



Isometric view
Scale: 1:1



Front view

MATERIALS
LENS: PC
HOLDER: PC
TAPE: PU foam

Part no.s:
FA10344_MX6-W
4FA11151_MX6-0-90
FA10336_MX6-RS
FA10337_MX6-SS
FA10338_MX6-D
FA10339_MX6-M
FA10340_MX6-0
FA10903_MX6-W-V6

This drawing is our property.
It can't be reproduced
or communicated without
our written agreement.



L
T
F
F

e
e
i
i
n
n

DRAWING TITLE

Datasheet Assembly MX6 lens

DRAWN BY
p

DATE
05.01.2010

CHECKED BY
s n

DATE
02.11.2009

SIZE
A4

DRAWING NUMBER

REV
1

DESIGNED BY
HH

DATE
26.04.2007

SCALE

2:1

WEIGHT (g)

SHEET

1/1

X-ON Electronics

Largest Supplier of Electrical and Electronic Components

Click to view similar products for [LED Lenses](#) category:

Click to view products by [Ledil](#) manufacturer:

Other Similar products are found below :

[131A-303G](#) [131A-304R](#) [139A-403R](#) [139A-403A](#) [160A-604R](#) [160A-604Y](#) [SMB_200_GTP](#) [SMQ_250_ATP](#) [SMS_172_RTP](#) [SQB_400_ATP](#)
[SSN-LX13049L-CD](#) [SSN-LX18754A](#) [SSN-LX18754C](#) [2817](#) [CLR_301_YTP](#) [CMC_313_ATP](#) [3121](#) [3124](#) [3125](#) [39-30-W03](#) [4344](#) [4623](#)
[4745](#) [4747](#) [3111](#) [3114](#) [3115](#) [3121](#) [3122](#) [3124](#) [3125](#) [4327](#) [4743](#) [4745](#) [4752](#) [4757](#) [SSN-LX690L1-C](#) [SQL_360_YTP](#) [SMQ_250_BTP](#) [3114](#)
[3113](#) [CMS444CTP](#) [1125-227-000](#) [4317](#) [4347](#) [4741](#) [4316](#) [4343](#) [4345](#) [4345](#)