

## LM1 LENSES FOR CREE MC-E LEDs



- Specially designed for Cree MC-E series of LEDs.
- Special care taken to make a uniform white or warm white illumination. Lenses work well with other colors, too.
- Lens material optical grade PMMA. Allows use of high current and temperature conditions
- Best available optical efficiency, more than 90%, with an extremely good cutoff of light
- Integrated holder. Fastening to heat sink with a PU foam adhesive tape of automotive grade

w

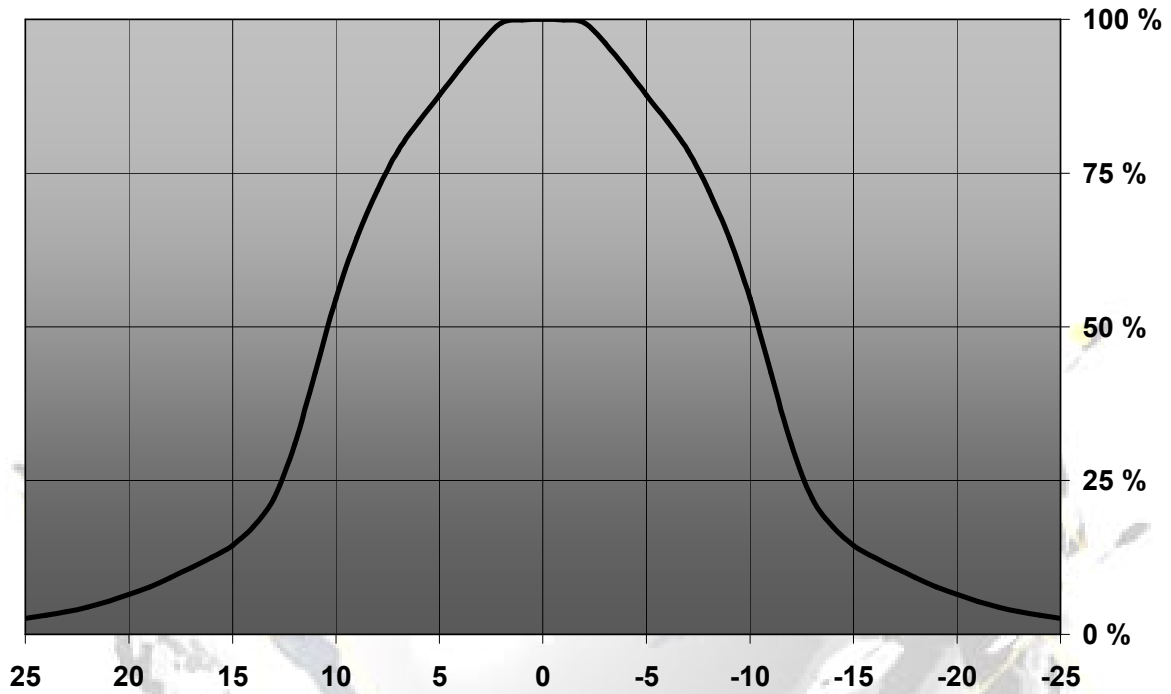
## LENS TYPES

NAME	ORDERING CODE	FWHM Angle
LM1 REAL SPOT	FA10613_LM1-RS	±10.5°
LM1 DIFFUSER	FA10650_LM1-D	±10°
LM1 MEDIUM	FA10614_LM1-M	±12°
LM1 OVAL	FA11067_LM1-O-90	coming soon
LM1 RECTANGULAR	FA10615_LM1-REC	±19° x ±12°

© Ledil Oy – PRELIMINARY - Subject to change without prior notice

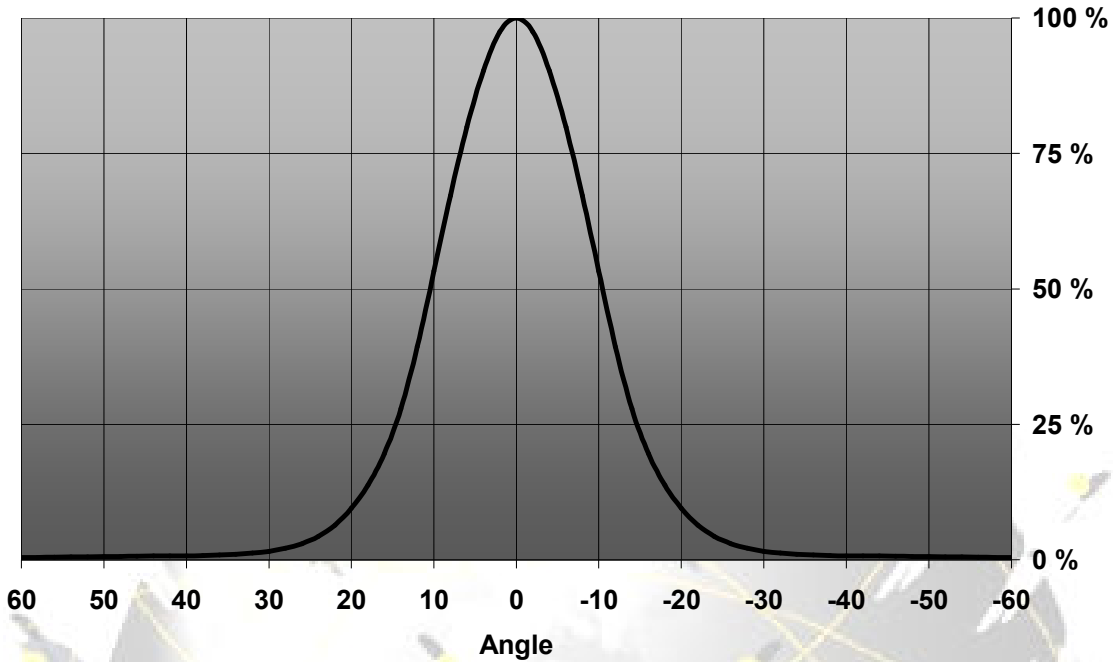
## MEASUREMENT DATA

Relative Intensity of FA10613\_LM1-RS

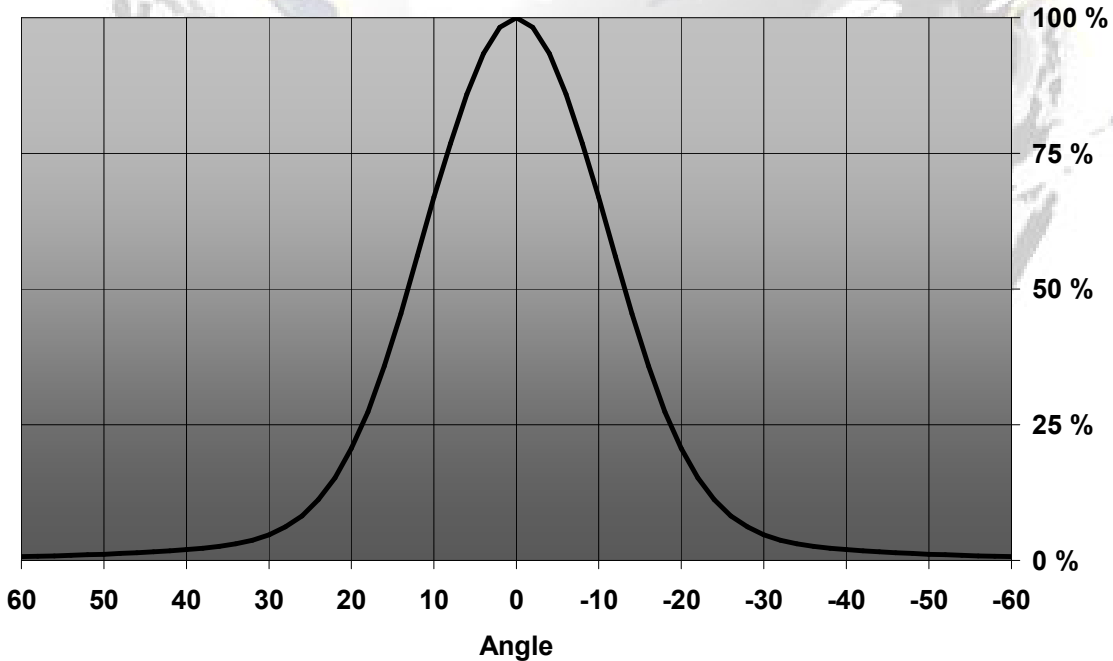


© Ledil Oy – PRELIMINARY - Subject to change without prior notice

Relative Intensity of LM1-D

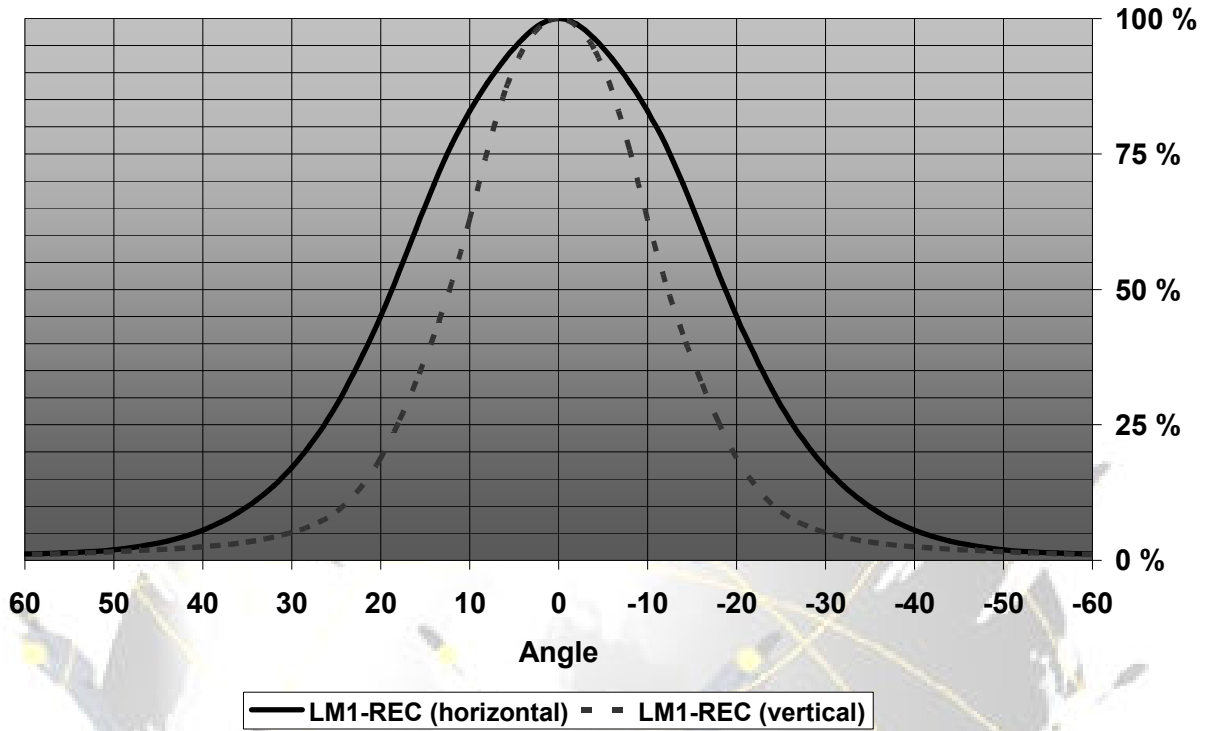


Relative Intensity of LM1-M



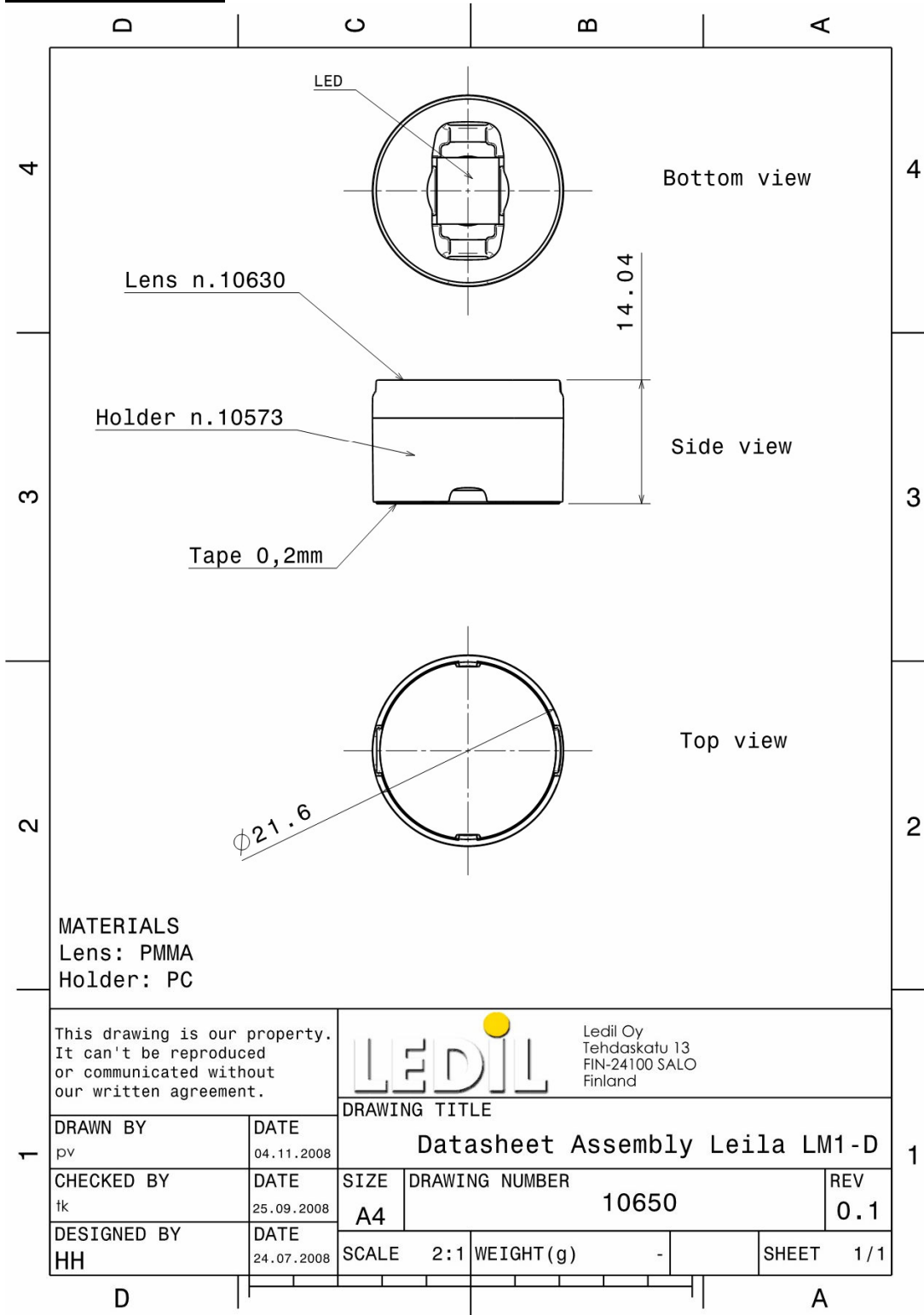
© Ledil Oy – PRELIMINARY - Subject to change without prior notice

## Relative Intensity of LM1-REC



EULUMDAT & IES FILES AVAILABLE BY REQUEST

## DRAWINGS



© Ledil Oy – PRELIMINARY - Subject to change without prior notice

## X-ON Electronics

Largest Supplier of Electrical and Electronic Components

*Click to view similar products for [LED Lenses](#) category:*

*Click to view products by [Ledil](#) manufacturer:*

Other Similar products are found below :

[131A-303G](#) [131A-304R](#) [139A-403R](#) [139A-403A](#) [160A-604R](#) [160A-604Y](#) [SMB\\_200\\_GTP](#) [SMQ\\_250\\_ATP](#) [SMS\\_172\\_RTP](#) [SQB\\_400\\_ATP](#)  
[SSN-LX13049L-CD](#) [SSN-LX18754A](#) [SSN-LX18754C](#) [2817](#) [CLR\\_301\\_YTP](#) [CMC\\_313\\_ATP](#) [3121](#) [3124](#) [3125](#) [39-30-W03](#) [4344](#) [4623](#)  
[4745](#) [4747](#) [3111](#) [3114](#) [3115](#) [3121](#) [3122](#) [3124](#) [3125](#) [4327](#) [4743](#) [4745](#) [4752](#) [4757](#) [SSN-LX690L1-C](#) [SQL\\_360\\_YTP](#) [SMQ\\_250\\_BTP](#) [3114](#)  
[3113](#) [CMS444CTP](#) [1125-227-000](#) [4317](#) [4347](#) [4741](#) [4316](#) [4343](#) [4345](#) [4345](#)