

IEC Appliance Inlet C20 with Circuit Breaker TA45

**Description**

- Panel Mount:
Screw-on version from front or rear side, snap-in version from front side
- 2 Functions:
Appliance Inlet Protection class I, circuit breaker type TA45 2-pole
- Quick connect terminals 6.3 x 0.8 mm

Approvals

- VDE Certificate Number: 40001029
- UL File Number: E96454

Characteristics

- All single elements are already wired
Unwired versions available on request
- Line switch non-illuminated or illuminated
Thermal overload protection
- Optional with undervoltage- or remote trip release
- Qualified for use in equipment according IEC/EN 60950

Other versions on request

- Unwired versions
- Variant with notch for V-Lock mating Cordsets

References

Alternative: version with line filter [EF12](#)

Weblinks

[pdf](#), [General Product Information](#), [Approvals](#), [RoHS](#), [CHINA-RoHS](#), [Mating Connectors](#), [e-Store](#), [SCHURTER-Stock-Check](#), [Distributor-Stock-Check](#), [Accessories](#)

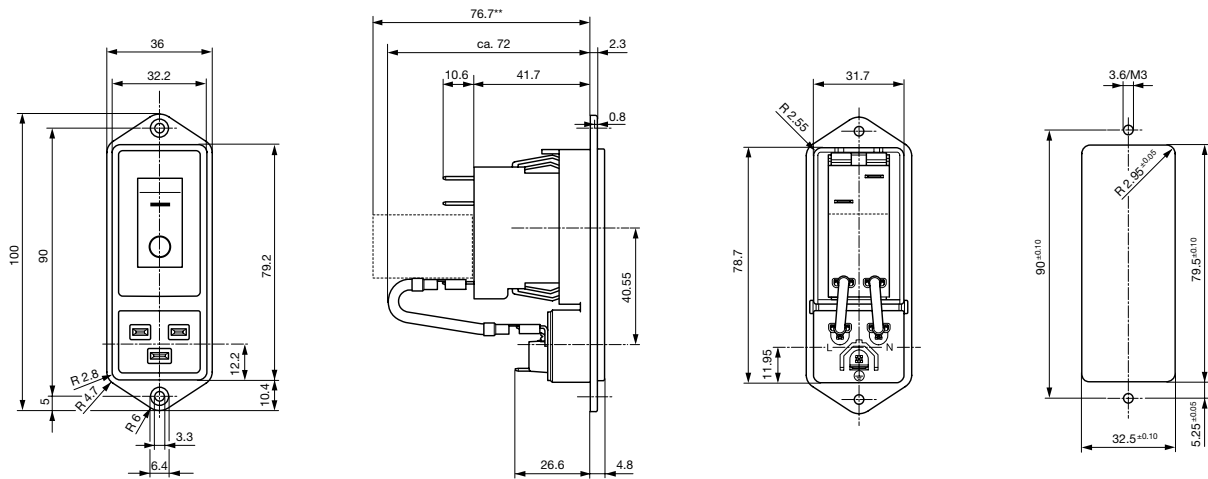
Newly available variants corresponding to V-Lock mating cordset. The connector is equipped with a notch intended for use with the latching cordset. The cord latching system prevents against accidental removal of the cordset.

Technical Data

| | | | |
|---------------------------|--|------------------|--|
| Ratings IEC | 16 A / 250 VAC; 50 Hz | Appliance Inlet | C20 acc. to IEC/EN 60320-1, UL 498, CSA C22.2 no. 42 (for cold conditions) pin-temperature 70 °C, 16 A, Protection Class 1 |
| Ratings UL/CSA | 20 A / 125/250 VAC; 60 Hz | Circuit Breakers | Acc. IEC/EN 60934, UL 1077, CSA 22.2 no. 235 2-pole rocker switch, illuminated or non-illuminated. Optional with undervoltage- or remote trip release Short circuit capacity Icn: at In < 3A/240VAC : 10 x In at In ≥ 3A/240VAC : 300A |
| Dielectric Strength | > 1.5 kVAC between L-N > 3 kVAC between L/N-PE (1 min/50 Hz) | Line Switch | Rocker switch 2-pole, non-illuminated or illuminated, acc. to IEC 61058-1 Technical details |
| Allowable Operation Temp. | -10 °C to 55 °C | | |
| Degree of Protection | from front side IP 40 acc. to IEC 60529 | | |
| Protection Class | Suitable for appliances with protection class 1 acc. to IEC 61140 | | |
| Terminal | Quick connect terminals 6.3 x 0.8 mm | | |
| Panel Thickness s | Screw: max 8 mm Mounting screw torque max 0.5 Nm Snap-in: 1.5/2/2.5 mm | | |
| Material: Housing | Thermoplastic, black, UL 94V-0 | | |

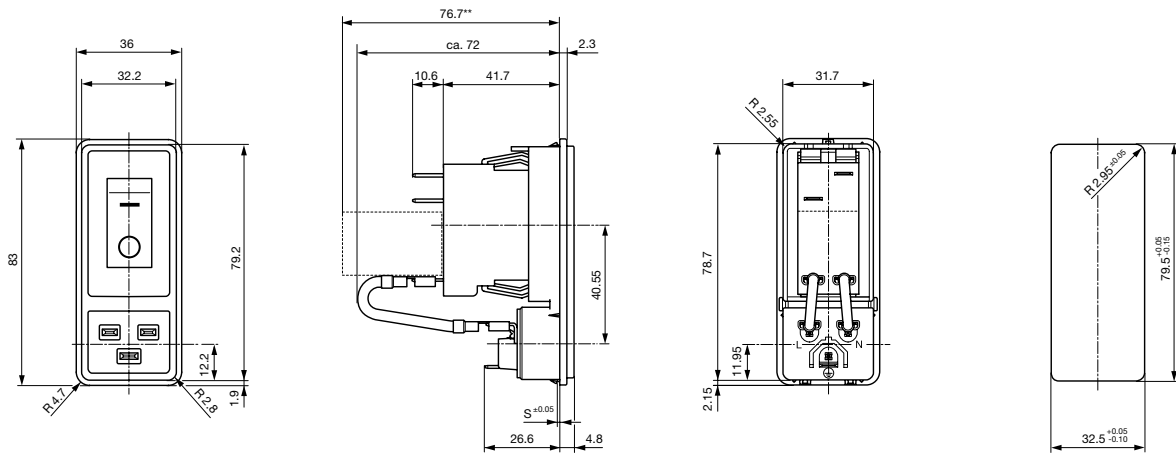
Dimensions

Screw on PCB mounting



** --- Version TA45 with undervoltage release

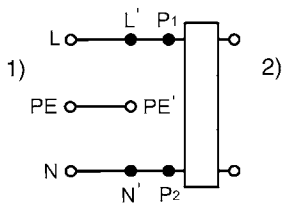
Snap-in mounting



**--- Version TA45 with undervoltage release

Diagrams

Diagram



- 1) Line
- 2) Load

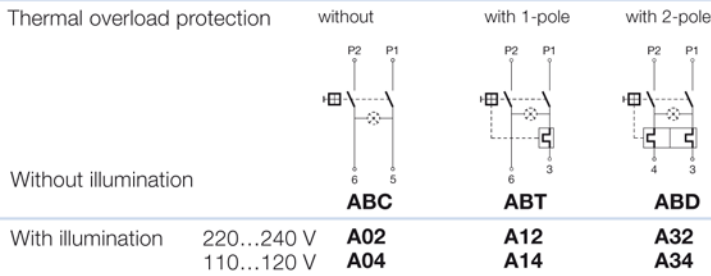
Table 1 Selection for type TA45

Order example



- Line switch
 - 2-pole, rocker actuated
 - Quick connect terminal
- Other types on request

Diagram



Colours

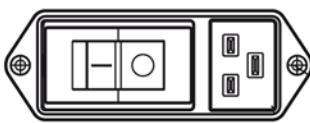
| Switch front | Rocker | |
|--|--------|----------------|
| W black B black 6 black | white | — |
| | black | — |
| | — | orange transp. |

ABT W F 150 C0

Rocker legend

| Surface | Illustration | Colour of print | Surface | Illustration | Colour of print |
|-------------------|--------------|-----------------|------------------|--------------|-----------------|
| F embossed | | white | M printed | | black |
| H printed | | white | P printed | | white |
| K printed | | black | R printed | | black |
| L printed | | white | | | |

Position of the rocker legend
e.g F



Rated current:

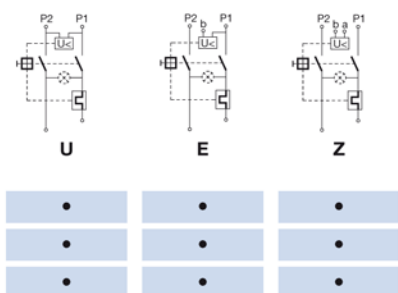
- Without thermal overload protection: code **C00** } $I_n = 20\text{ A}$
- With thermal overload protection: rated current I_n (A)

| I_n | Code | I_n | Code | I_n | Code | I_n | Code |
|-------|------------|-------|------------|-------|------------|-------|------------|
| 10,0 | 100 | 13,0 | 130 | 16,0 | 160 | 19,0 | 190 |
| 11,0 | 110 | 14,0 | 140 | 17,0 | 170 | 20,0 | 200 |
| 12,0 | 120 | 15,0 | 150 | 18,0 | 180 | | |

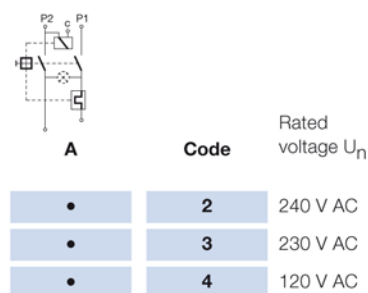
Other rated currents on request

Without release: code C0

Undervoltage release



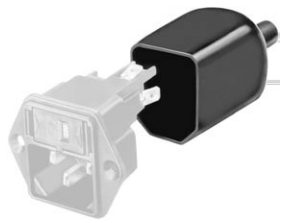
Remote trip release



Packaging unit 20 Pcs

Accessories

Description



Assorted Covers
Rear Cover

0859.0109



Cord retaining kits
Cord retaining strain relief

Flat head, Z

0888.0021

Flat head, H

4700.0008

Mating Outlets/Connectors

Category / Description

[ConnectorOverview complete](#)



IEC Connector C19, Rewireable, Straight

0104

IEC Connector C19, Rewireable, Angled

1651

IEC Connector C19, Rewireable, Straight

1652

IEC Connector C19, Rewireable, Angled

4790

IEC Connector C19, Rewireable, Straight

4795

[Connectorfurther types toEF11](#)

[Power CordOverview complete](#)



Power Cord with IEC Connector C19, Straight

1654

[Power Cordfurther types toEF11](#)



[Power Supply or Interconnection CordOverview complete](#)

Divers Power Supply and Interconnection Cords 10 A

4300.0920

Divers Power Supply and Interconnection Cords 16 A

6003.0395

Divers Power Supply and Interconnection Cords 16 A

6009.5195

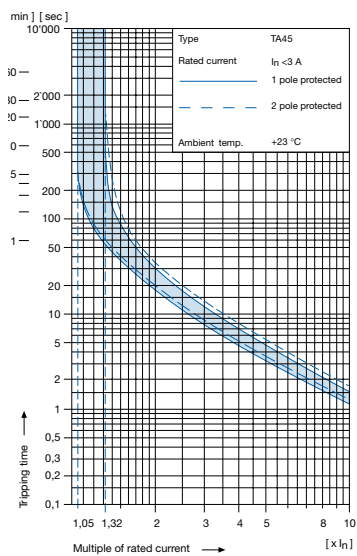
[Power Supply or Interconnection Cordfurther types toEF11](#)

Technical data (continued)

Circuit breaker

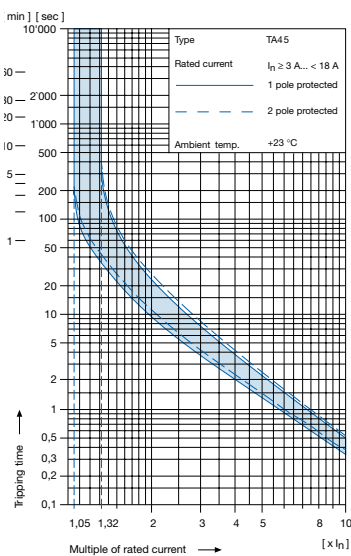
Tripping characteristics

$I_n < 3 A$



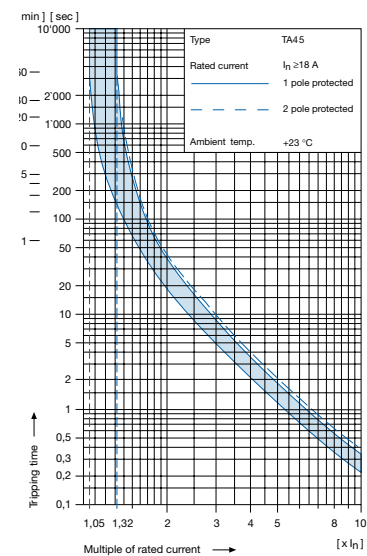
Tripping characteristics

$I_n \ge 3 \dots < 18 A$



Tripping characteristics

$I_n \ge 18 A$



1) Effect of ambient temperature

The unit is calibrated for an ambient temperature of +23 °C. To determine the rated current for a lower or higher ambient temperature, use a correction factor from the table below:

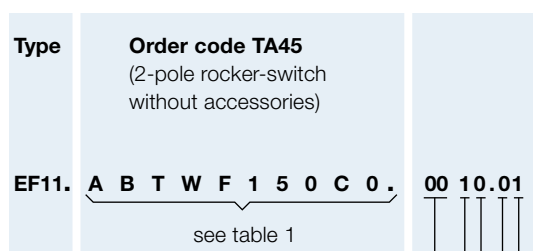
| * Ambient temperature [°C] | Correction factor |
|----------------------------|-------------------|
| -10 | 0,89 |
| - 5 | 0,91 |
| 0 | 0,92 |
| +23 | 1,00 |
| +30 | 1,03 |
| +40 | 1,08 |
| +55 | 1,16 |

* Temperature must be measured at the rear of the breaker next to the terminals after equipment operating temperature has been reached.

1) Example

Rated current at +23 °C 6,0 A
 Ambient temperature +40 °C
 Correction factor 1,08
 Chosen rated current at
 +40 °C ambient temperature **6 A x 1,08 = 6,5 A**

Order code for EF11 (order example)



Please note that Schurter will establish an internal new part number for logistical use in addition to the order code. The format of this internal part number is, for example EF11.3103.0010.01

- Wiring**
1 = wired
- Protection class**
0 = Class I, housing black
- Panel mount**
0 = Screw-on version
2 = Snap-in version s = 1,5 mm
3 = Snap-in version s = 2,0 mm
4 = Snap-in version s = 2,5 mm
- Terminals**
1 = Quick connect terminals 6,3 x 0,8 mm
- 00** = without line filter

X-ON Electronics

Largest Supplier of Electrical and Electronic Components

Click to view similar products for [schurter](#) manufacturer:

Other Similar products are found below :

[4420.0380](#) [4310.0028](#) [0034.7115](#) [0040.1102](#) [0001.1007.PT](#) [0034.3406](#) [0034.9889](#) [7040.3140](#) [FMAC-0934-3610](#) [FMAD-0931-0810](#) [FMBD-B92B-2512](#) [FMW-65-0005](#) [1241.3663](#) [1241.2506](#) [1301.9211](#) [DC11.0001.301](#) [9632.5100](#) [FMBC-0994-1000](#) [3-101-015](#) [4400.0344](#)
[4420.0361](#) [4752.4000](#) [5500.2605.01](#) [3404.2330.11](#) [3405.0176.11](#) [KD13.1101.105](#) [4303.1061](#) [4420.0210](#) [4430.1129](#) [4430.1892](#) [DKIP-0229-1005](#) [091132B](#) [5500.2267](#) [6162.0083](#) [8020.5081](#) [5120.1006.0.21](#) [5130.2101](#) [CD24.4101.151](#) [CD44.4199.151](#) [AS168X-CB2H030](#)
[6136.0137.0210](#) [FMBC-A91C-1610](#) [FMAC-0932-2510](#) [1068.1012.1110001](#) [GSP1.8101.1](#) [TA35-CFTBLJ04C0](#) [1241.2903.002](#)
[1241.6623.1124000](#) [1241.3008](#) [0001.2535](#)