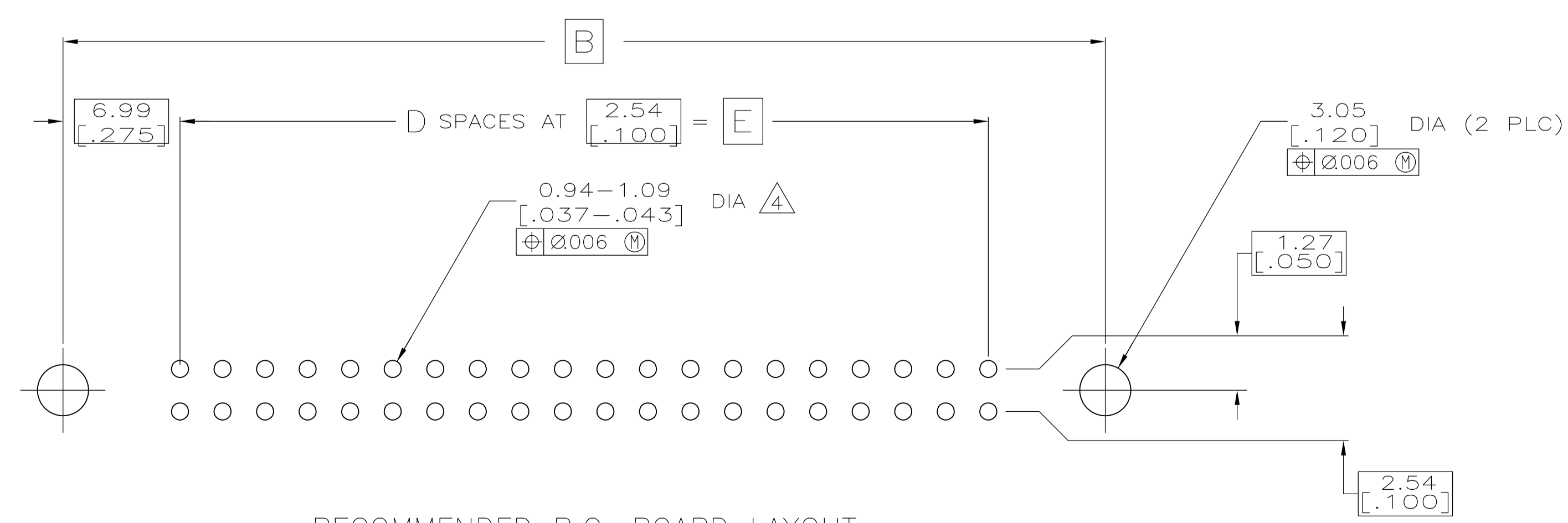
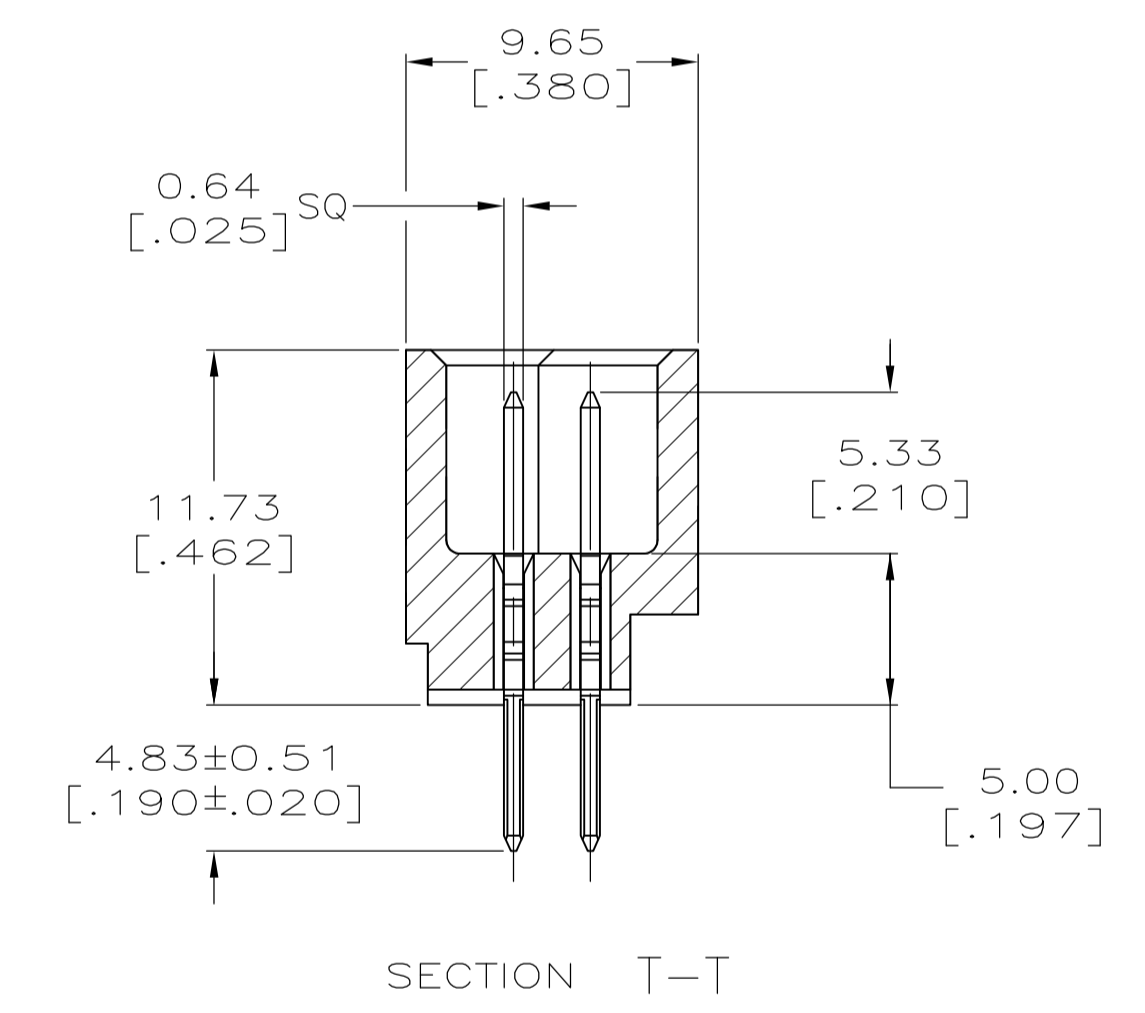
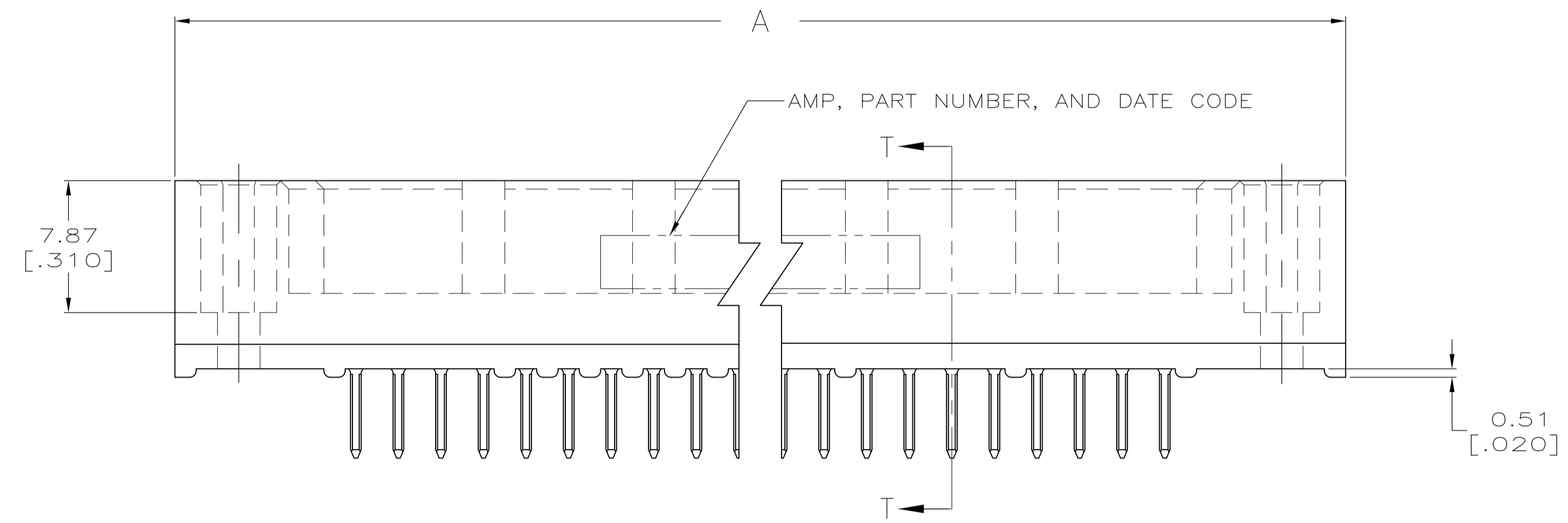
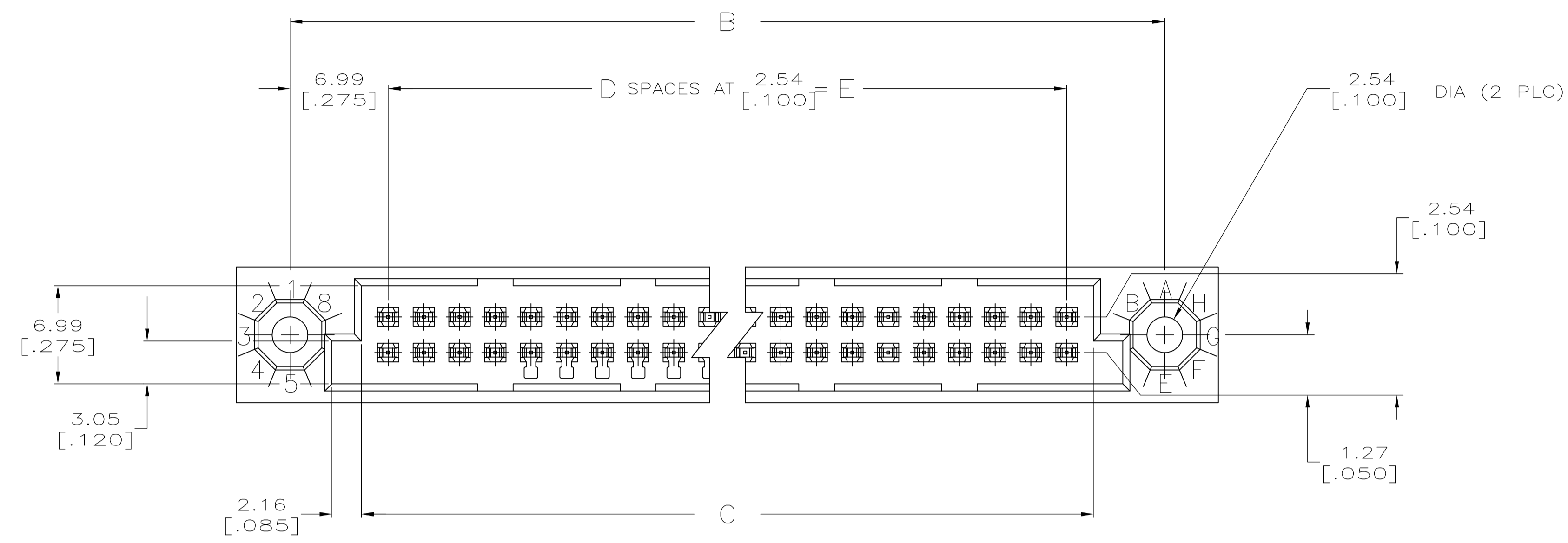


LOC		DIST		REVISIONS			
P	LTR	DESCRIPTION	DATE	DMN	APVD		
N1		REV PER ECO-07-002356	01MAR2007	BC	AS		
N2		REVISED PER ECO-09-021826	08JAN10	KK	AEG		



RECOMMENDED P.C. BOARD LAYOUT

THIS DRAWING IS A CONTROLLED DOCUMENT.		DIN R.K. SEIFRIED 04/09/90	Tyco Electronics Corporation	
DIMENSIONS: mm [INCHES]		CHK F. KIBLER 8-17-92	Harrisburg, PA 17105-3608	
TOLERANCES UNLESS OTHERWISE SPECIFIED:		APVD	NAME	
0 PLC ± -		PRODUCT SPEC		
1 PLC ± -		APPLICATION SPEC		
2 PLC ± -		SIZE		
3 PLC ± 0.13 [.005]		CAGE CODE		
4 PLC ± -		DRAWING NO		
ANGLES ± -		RESTRICTED TO		
MATERIAL	FINISH	WEIGHT	A1 00779 C=532430	
CUSTOMER DRAWING		SCALE 4:1	SHEET 1 OF 2	REV N2

- ① HOUSING MATERIAL: THERMOPLASTIC, COLOR-NATURAL.
- ② CONTACT MATERIAL: PHOSPHOR BRONZE.
- ③ CONTACT FINISH: .00127-.00254 [.000050-.000100] NICKEL UNDERPLATE ALL OVER; .00076 [.000030] GOLD PLATE IN CONTACT AREA, TIN-LEAD PLATED POSTS.
- ④ SOLDER PIN POST RECOMMENDED P.C. BOARD HOLE SIZES ARE 0.94-1.09 [.037-.043]; RECOMMENDED PAD DIA IS 1.52 [.060].
- 5. DIMENSIONS IN BRACKETS ARE IN INCHES.
- ⑥ PART NUMBER IS OBSOLETE.
- ⑦ OBSOLETE PARTS: OBSOLETE CIS STREAMLINING PER D.RENAUD/D.SINISI

⑥	251.46 [9.900]	-99	255.27 [10.050]	265.43 [10.450]	273.05 [10.750]	-200	1-532430-9
⑥	238.76 [9.400]	-94	242.57 [9.550]	252.73 [9.950]	260.35 [10.250]	-190	1-532430-8
⑥	226.06 [8.900]	-89	229.87 [9.050]	240.03 [9.450]	247.65 [9.750]	-180	1-532430-7
⑥	213.36 [8.400]	-84	217.17 [8.550]	227.33 [8.950]	234.95 [9.250]	-170	1-532430-6
⑥	200.66 [7.900]	-79	204.47 [8.050]	214.63 [8.450]	222.25 [8.750]	-160	1-532430-5
	187.96 [7.400]	74	191.77 [7.550]	201.93 [7.950]	209.55 [8.250]	150	1-532430-4
⑥	175.26 [6.900]	69	179.07 [7.050]	189.23 [7.450]	196.85 [7.750]	140	1-532430-3
⑥	162.56 [6.400]	-64	166.37 [6.550]	176.53 [6.950]	184.15 [7.250]	-130	1-532430-2
⑥	149.86 [5.900]	-59	153.67 [6.050]	163.83 [6.450]	171.45 [6.750]	-120	1-532430-1
	137.16 [5.400]	54	140.97 [5.550]	151.13 [5.950]	158.75 [6.250]	110	1-532430-0
	124.46 [4.900]	49	128.27 [5.050]	138.43 [5.450]	146.05 [5.750]	100	532430-9
⑥	111.76 [4.400]	-44	115.57 [4.550]	125.73 [4.950]	133.35 [5.250]	-90	532430-8
⑥	99.06 [3.900]	39	102.87 [4.050]	113.03 [4.450]	120.65 [4.750]	80	532430-7
⑥	86.36 [3.400]	-34	90.17 [3.550]	100.33 [3.950]	107.95 [4.250]	-70	532430-6
	73.66 [2.900]	29	77.47 [3.050]	87.63 [3.450]	95.25 [3.750]	60	532430-5
⑥	60.96 [2.400]	-24	64.77 [2.550]	74.93 [2.950]	82.55 [3.250]	-50	532430-4
	48.26 [1.900]	19	52.07 [2.050]	62.23 [2.450]	69.85 [2.750]	40	532430-3
⑦	35.56 [1.400]	14	39.37 [1.550]	49.53 [1.950]	57.15 [2.250]	30	532430-2
⑥	22.86 [.900]	-9	26.67 [1.050]	36.83 [1.450]	44.45 [1.750]	-20	532430-1
		E	D	C	B	A	POSN PART NUMBER

⑦ OBSOLETE

THIS DRAWING IS A CONTROLLED DOCUMENT.		DIN R.K. SEIFRIED 04/09/90 CHK F. KIBLER 8-17-92		Tyco Electronics Corporation Harrisburg, PA 17105-3608	
DIMENSIONS: mm [INCHES]		TOLERANCES UNLESS OTHERWISE SPECIFIED:		NAME	
0 PLC ± -		1 PLC ± -		PRODUCT SPEC	
2 PLC ± -		3 PLC ± 0.13 [.005]		APPLICATION SPEC	
4 PLC ± -		ANGLES ± -		SIZE	
MATERIAL		FINISH		WEIGHT	
① ②		③		A1 00779 532430	
CUSTOMER DRAWING				SCALE 4:1 SHEET 2 OF 2 REV N2	

X-ON Electronics

Largest Supplier of Electrical and Electronic Components

Click to view similar products for [High Speed/Modular Connectors](#) category:

Click to view products by [TE Connectivity](#) manufacturer:

Other Similar products are found below :

[2332816-1](#) [89006-1137LF](#) [650827-1](#) [65762-001LF](#) [73474-201LF](#) [74040-1346](#) [74075-0267](#) [1410191-1](#) [1410337-1](#) [1410368-3](#) [1410964-2](#)
[1410367-3](#) [1410971-4](#) [1467833-1](#) [2000877-1](#) [2000878-1](#) [2041314-1](#) [2065387-1](#) [2187307-1](#) [2187462-1](#) [2226278-6](#) [KA81-07](#) [91290-101LF](#)
[163P](#) [1934290-1](#) [2000875-1](#) [2065917-1](#) [2102736-2](#) [FSR-40](#) [2169868-2](#) [2226279-2](#) [22354-8](#) [437-5040-000](#) [5-1393565-0](#) [532449-3](#) [532803-](#)
[2](#) [34745-0001](#) [0736440217](#) [1-1393708-5](#) [72388-0021LF](#) [73774-1000](#) [740401386](#) [532939-1](#) [5-531355-3](#) [5532901-3](#) [85838-180LF](#)
[HM1S43TRR460H6PLF](#) [0760205010](#) [1-966831-4](#) [3-1469268-7](#)