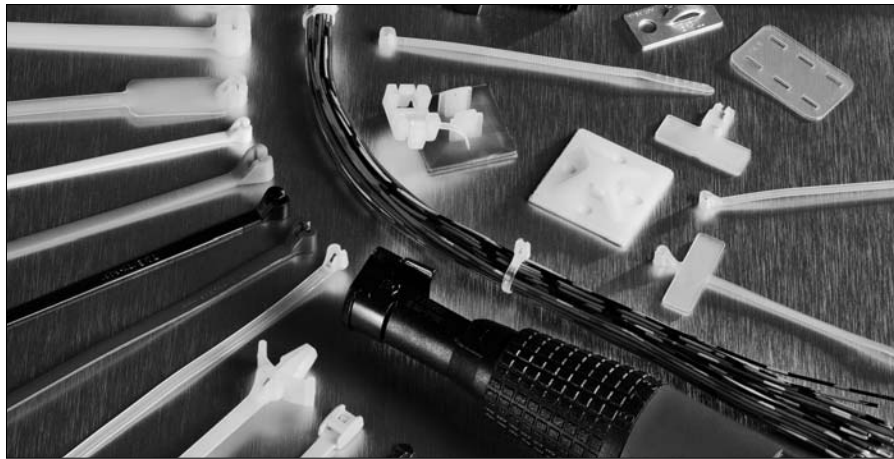


Ty-Rap® / Ty-Fast® Cable Tying System



Installers Know and Trust Fastening Products from Thomas & Betts

Wire bundling is an integral part of modern electrical and electronic installations. To finish your harnessing and bundling project as reliably and economically as possible, choose genuine Ty-Rap® and Ty-Fast® cable ties. These fastening systems include a full range of cable ties, identification ties, clamps, bases, harnessing aids and installing tools. Using T&B fastening systems for all wiring jobs, large and small, will speed and improve the reliability of harnessing and wire bundling while saving you money.

Harnessing

- Harness Board pre-wiring prior to installation.
- Large OEMs - Automotive, Aerospace, Computers, Electronics, Copiers, Appliances and other Durable Goods.



T&B fastening systems for large volume cable tying combine high-speed ergonomically designed automatic and semi-automatic tools, along with a wide selection of ties and



harnessing aids to meet your application requirements. Accessories include various harnessing aids, retainers, supports, posts, pins and guides that allow the wire to be quickly routed with or without the use of nails.


Point-to-point and Long Distance Wiring

- Bundling & fastening cables between equipment.
- Panel & Machine Tool Builders.
- Industrial & Commercial Applications, Refineries, Office Buildings.

Installers prefer the ease of use and exceptional durability of genuine Ty-Rap® cable ties. Engineered for labor savings and high performance, Ty-Rap® cable ties are commonly used in a variety of applications. Standoffs, bulkhead mounting bases, adhesive mounting bases and a wide variety of clamping devices will meet or exceed any requirements. Weatherable and special material Ty-Rap® cable ties are exceptionally suited for years of service in extreme environments.

Other Applications

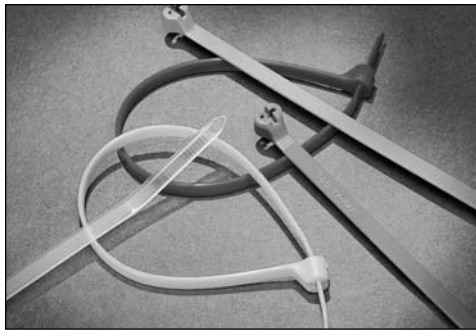
- HVAC
- Recreational
- Telecom & Utility
- Packaging

Ty-Rap® and Ty-Fast® cable ties are remarkably well suited for a variety of other non-electrical applications. Ty-Rap® cable ties exceed UL requirements for smoke developed and heat release for use in air handling spaces. Ty-Rap® cable ties meet international standards such as CSA and CE as well as UL, , Belcor, ADC and military specifications in North America. T&B also offers a complete stainless steel and Deltec cable fastening system for demanding and weather-resistant applications. Choose genuine Ty-Rap® cable ties for the rugged "Grip of Steel" or economical Ty-Fast® cable ties for lighter-duty service.

Choose Genuine Ty-Rap® and Ty-Fast® Cable Ties from Thomas & Betts

When you choose a cable tie from T&B, you can count on quality, performance and innovation to make your work easier. Depending on your application, choose genuine Ty-Rap® Cable ties or Ty-Fast® Cable Ties, along with our wide assortment of quality accessories and installing tools to make installation hassle-free.

Ty-Rap® / Ty-Fast® Cable Tying System



Genuine Ty-Rap® Cable Ties provide industrial strength for the most demanding work.

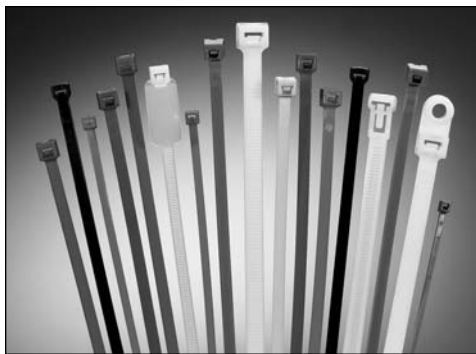
T&B's Ty-Rap® Cable Ties feature these important advantages:

- **Stainless steel locking device in the head.** Ty-Rap® cable ties are infinitely adjustable within their bundle range. You get the right bundle tightness every time. The 316 stainless steel locking device in the nylon head secures the tie with the longer-lasting, corrosion-resistant "grip of steel," exceeding the minimum pullout strength requirements specified in MIL-S-23190.
- **Rounded head** – Reduces snags, makes pulling bundles through tight spaces easier.
- **Smooth body design with smooth rounded edges and uniform cross sections.** The ties have no notches, thereby reducing stress areas that can weaken the tie and

cause brittle breakage especially in cold and dry conditions. Smooth edges won't snag while pulling through bulkheads. There are no sharp edges to be the source of installation injuries or to damage the wire insulation. The smooth surface design also adds an attractive finish to your wiring project.

- **Mechanic's Grip** - No-slip tail for easy grasping and tensioning.
- **Ribbed and stippled inner body** – Prevents slipping on the bundle.
- **Turned-up Tail** - Orients tail to head for easy assembly, easier to pick up on flat surface.

T&B also offers all-stainless steel, hook and loop and specialty material Ty-Rap® cable ties in a large variety of styles, colors and sizes for all your fastening applications.



Ty-Fast® Cable Ties fit the needs of OEMs from start to finish.

T&B's Ty-Fast® Cable Ties feature these important advantages:

- **Smooth Edges** - Designed to prevent cable insulation damage.
- **Integrally formed nylon pawl** – Combines low insertion force and high locking strength.
- **Two-sided Finger Grip Design** – Helps the installer grasp and pull the tie snug.
- **"Sure-grip" Tab in center of the Tail** – Keeps the tail from popping out while being threaded and holds it securely for final tightening.

- **Turned-up Tail** - Orients tail to head for quick assembly, easier to pick up on flat surface.
- **Quick, Easy Pull-Through** – Reduces operator fatigue, increases productivity.
- **Competitively Priced** – Ideal for high volume jobs, lowers installation costs for OEMs.

T&B also offers a low-profile contoured version of Ty-Fast® cable ties, along with a fully automated reel-fed fastening system.



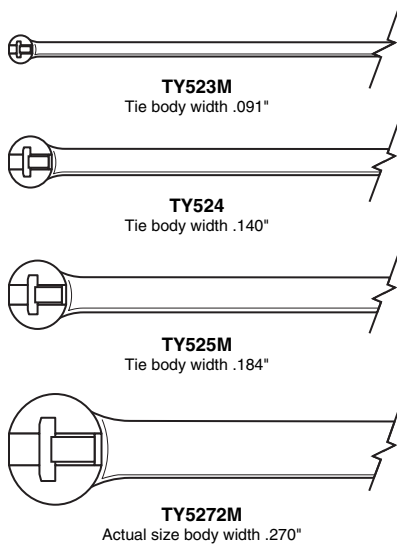
Cable Fastening Accessories

Choose from one of the largest assortments of mounting bases, clips and clamps, spacers, lashing straps, harness board accessories, braided wire sleeve, and accessories for heavy-duty lashing. Use Thomas & Betts cable fastening accessories for the finishing touch on your next wiring project.

Tools

Ty-Rap® and Ty-Fast® installing tools finish the installation of the cable tie. Ties are cinched to the proper tension and the excess tail is cut off precisely flush with the head, leaving no sharp corners or ragged edges. Ty-Rap® and Ty-Fast® installing tools have narrow noses and slim profiles for work in tight spaces or between harness board nails. The operation is quick, reliable and cost effective.

Ty-Rap® Cable Ties



Standard Nylon 6/6 Cable Ties

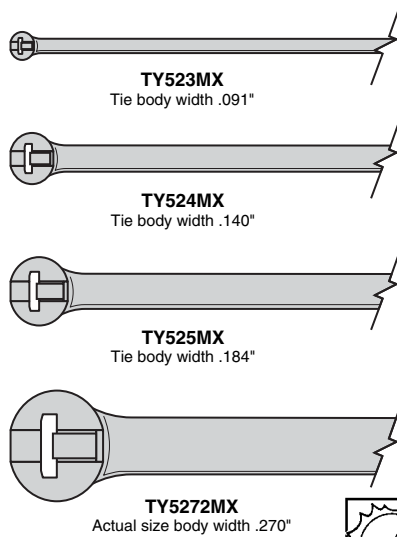
Std. Cat. No.	Bulk Cat. No.	Body Width (in.)	Length (in.)	Max. Wire Bundle Dia. (in.)	Military Standard Part No.	Tensile Strength (lbs.)	Std. Pkg.	Bulk Pkg.
TY523M	TY23M	.093	3.62	.625	MS3367-4	18	100	1000
TY52315M	TYB2315M	.092	7.00	1.500	-	18	100	1000
TY5232M	TY232M	.086	8.00	2.000	-	18	100	1000
TY5234M	TY234M	.086	14.00	4.000	-	18	100	1000
TY524M	TY24M	.140	5.50	1.125	MS3367-5	30	100	1000
TY5242M	TY242M	.140	8.19	2.000	-	30	100	1000
TY526M	TY26M	.140	11.10	3.000	-	30	100	1000
TY5244M	TY244M	.140	14.50	4.000	-	30	100	1000
TY525M	TY25M	.185	7.31	1.750	MS3367-1	50	100	1000
TY5253M	TY253M	.187	11.6	3.000	MS3367-7	50	100	1000
TY528M	TY28M	.187	14.20	4.000	MS3367-2	50	100	1000
TY5272M	TY272M*	.270	8.75	2.000	-	120	50	500
TY527M†	TY27M*†	.270	13.40	3.500	MS3367-3	120	50	500
TY5275M	TY275M	.270	18.00	5.000	-	120	50	500
TY5277M	TY277M	.270	24.30	7.000	-	120	50	500
TY529M	TY29M	.270	30.00	9.000	MS3367-6	120	50	500
TY53510M†	-	.320	35.00	10.000	-	175	50	-
TY54513M†	-	.320	45.00	13.000	-	175	50	-

Cable ties made from natural nylon 6/6 are excellent performers in most applications. Nylon 6/6 is recommended for use in temperatures ranging from 185°F to -40°F.

† Recognized Models.

• CSA Certified Natural 6/6 Nylon Cable Ties are suitable for use in air handling spaces in accordance with rules 12-010 (3), (4) and (5), and 12-020 of the CEC.

* Not CSA Certified



The MX series cable ties are recommended for outdoor use. The addition of carbon black provides good ultraviolet resistance and prolongs the useful life of the cable tie.

Nylon 6/6 Weather Resistant

Std. Cat. No.	Bulk Cat. No.	Body Width (in.)	Length (in.)	Max. Wire Bundle Dia. (in.)	Military Standard Part No.	Tensile Strength (lbs.)	Std. Pkg.	Bulk Pkg.
TY523MX	TY23MX	.093	3.62	.625	MS3367-4	18	100	1000
TY52315MX	TYB2315MX	.092	7.00	1.500	-	18	100	1000
TY5232MX	TY232MX	.086	8.00	2.000	-	18	100	1000
TY5234MX	TY234MX	.086	14.00	4.000	-	18	100	1000
TY524MX	TY24MX	.140	5.50	1.125	MS3367-5	30	100	1000
TY5242MX	TY242MX	.140	8.19	2.000	-	30	100	1000
TY526MX	TY26MX	.140	11.10	3.000	-	30	100	1000
TY5244MX	TY244MX	.140	14.50	4.000	-	30	100	1000
TY525MX	TY25MX	.185	7.31	1.750	MS3367-1	50	100	1000
TY5253MX	TY253MX	.187	11.6	3.000	MS3367-7	50	100	1000
TY528MX	TY28MX	.187	14.20	4.000	MS3367-2	50	100	1000
TY5272MX†	TY272MX ⁽¹⁾	.270	8.75	2.000	-	120	50	500
TY527MX†	TY27MX ⁽¹⁾	.270	13.40	3.500	MS3367-3	120	50	500
TY5275MX	TY275MX**	.270	18.00	5.000	-	120	50	500
TY5277MX	TY277MX**	.270	24.30	7.000	-	120	50	500
TY529MX	TY29MX*	.270	30.00	9.000	MS3367-6	120	50	500
TY53510MX†	-	.320	35.00	10.000	-	175	50	-
TY54513MX†	-	.320	45.00	13.000	-	175	50	-

* For military compliance of weather resistant black 120 lbs. ties, replace suffix X with O (ie. TY27M-O).

† Not Listed or Recognized Models. / (1) Not CSA Certified

**

• CSA Certified Natural 6/6 Nylon Cable Ties are suitable for use in air handling spaces in accordance with rules 12-010 (3), (4) and (5), and 12-020 of the CEC.

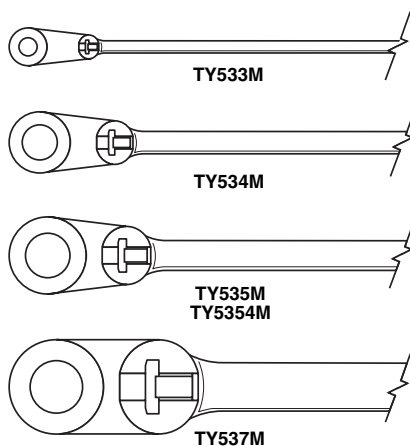
Ty-Rap® Nylon 6/6 Cable Tie – Color Assortment

Std. Cat. No.	Body Width (in.)	Length (in.)	Max. Wire Bundle Dia. (in.)	Military Standard Part No.	Tensile Strength (lbs.)	Std. Pkg.
TY525M-CLRS	0.184	7.31	1.75	-	50	10

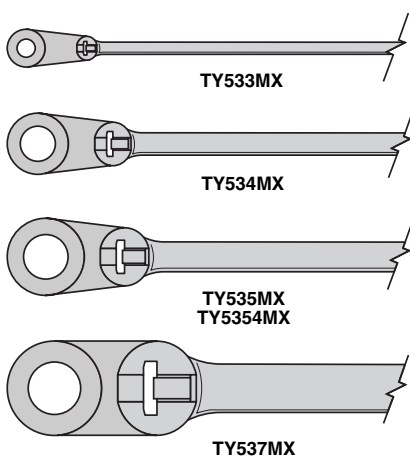
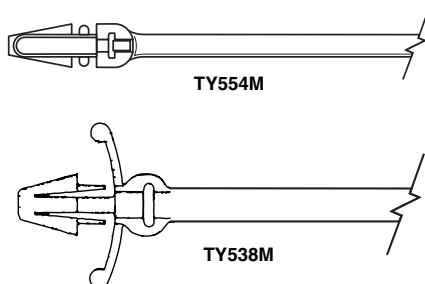
Cable ties are same size as TY525M shown above. 10 ties in each color (black, brown, red, orange, yellow, green, blue, purple, gray & white) are packaged. 100 total cable ties per package.



Ty-Rap® Cable Ties



• Great for use with screws, nuts and bolts for secure fastening to surfaces.



The MX series cable ties are recommended for outdoor use. The addition of carbon black provides good ultraviolet resistance and prolongs the useful life of the cable tie.

Ty-Rap® Mounting Head Cable Ties

Std. Cat. No.	Bulk Cat. No.	Body Width (in.)	Length (in.)	Max. Wire Bundle Dia. (in.)	Mounting Hole	Tensile Strength (lbs.)	Std. Pkg.	Bulk Pkg.
TY533M	TY33M	.091	4.00	.625	#4	18	100	1000
TY534M	TY34M	.140	6.00	1.125	#8	40	100	1000
TY535M	TY35M	.184	7.80	1.750	#10	50	100	1000
TY5354M	TY354M	.184	14.60	4.000	#10	50	100	1000
TY1435M	—	.189	7.8	1.77	.248	50	—	1000
TY635M	—	.189	7.8	1.77	.138	50	—	1000
TYF535M	TYF35M	.189	7.24	1.77	.138	50	100	1000
TY537M	TY37M	.301	13.90	3.500	¼	120	50	500

Cable ties made from natural nylon 6/6 are excellent performers in most applications. Nylon 6/6 is recommended for use in temperatures ranging from 185°F to -40°F.



Ty-Rap® Push Mount Cable Ties

For use in 3/16" and 1/4" pre-drilled holes. Thickness panel .094 max. (TY554M)
Range .04 - .156 (TY538M)

Std. Cat. No.	Bulk Cat. No.	Body Width (in.)	Length (in.)	Max. Wire Bundle Dia. (in.)	Mounting Hole	Tensile Strength (lbs.)	Std. Pkg.	Bulk Pkg.
TY554M	TY54M	.140	5.96	1.125	3/16	40	100	1000
TY538M	TY38M*	.184	7.80	1.750	¼	50	100	1000

Cable ties made from natural nylon 6/6 are excellent performers in most applications. Nylon 6/6 is recommended for use in temperatures ranging from 185°F to -40°F.

* Nylon 6/6 UV weather resistant version available (TY38MX).

Nylon 6/6 Weather Resistant

Std. Cat. No.	Bulk Cat. No.	Body Width (in.)	Length (in.)	Max. Wire Bundle Dia. (in.)	Mounting Hole	Tensile Strength (lbs.)	Std. Pkg.	Bulk Pkg.
TY533MX	TY33MX	.091	4.00	.625	#4	18	100	1000
TY534MX	TY34MX	.140	6.00	1.125	#8	40	100	1000
TY535MX	TY35MX	.184	7.80	1.750	#10	50	100	1000
TY5354MX	TY354MX	.184	14.60	4.000	#10	50	100	1000
TY538MX	TY38MX	.184	7.80	1.750	¼	50	—	1000
TY537MX	TY37MX	.301	13.90	3.500	¼	120	50	500



ULTRAVIOLET RESISTANT

How to Order Color-Coded Ty-Rap® Ties and Accessories

Color	Suffix No.	Color	Suffix No.
Black (outdoor)	X	Green	5
Brown	1	Blue	6
Red	2	Purple	7
Orange	3	Gray	8
Yellow	4	White	9

Natural nylon is standard. For colored Ty-Rap® ties, add the following suffix numbers to catalog numbers. Example: TY25M-2 would be red TY25M. (Consult customer service for ordering information.)

X-ON Electronics

Largest Supplier of Electrical and Electronic Components

Click to view similar products for [Wire Identification category](#):

Click to view products by [ABB manufacturer](#):

Other Similar products are found below :

[CU6337-000](#) [CU6342-000](#) [FCA-410-12](#) [11631010](#) [1-1768037-1](#) [1-1768037-2](#) [1-1768050-0](#) [PXLK-VI](#) [Q62184-1](#) [A64304-000](#) [QMT221](#)
[HK032WE1NF038B](#) [1330-0519-10](#) [1395199-1](#) [1395200-1](#) [1395202-1](#) [DMVF050WE-300S6](#) [D-SCE-1K-2.4-50-4-CS7834](#) [1538738-1](#)
[E90935-000](#) [EC1238-000](#) [EC1465-000](#) [EC1855-000](#) [EC1859-000](#) [EC1863-000](#) [EC5415-000](#) [EC7277-000](#) [EC7352-000](#) [EC7603-000](#)
[EC7707-000](#) [EC7735-000](#) [EC7768-000](#) [EC7828-000](#) [EC7854-000](#) [EC7952-000](#) [EC8128-000](#) [1768037-8](#) [1768041-7](#) [NC-127191-10-9](#)
[HS048WE2NF038B](#) [C03232-000](#) [HTCM-SCE-14-4H-9](#) [HTMS-3/16-9](#) [HT-SCE-1/4-2.0-4](#) [HT-SCE-3/16-2.0-4](#) [HTTMS-1/2-1.50-9](#) [HTTMS-](#)
[CM-1/2-4H-9](#) [HX-SCE-19.0-50-9](#) [HX-SCE-6.4-50-4](#) [C25254-000](#)