

Pololu Ball Caster with 1/2" Plastic Ball

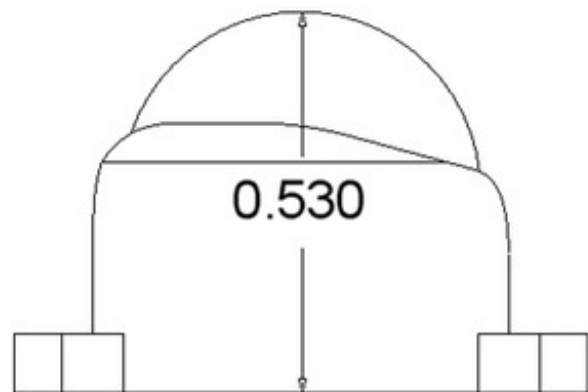
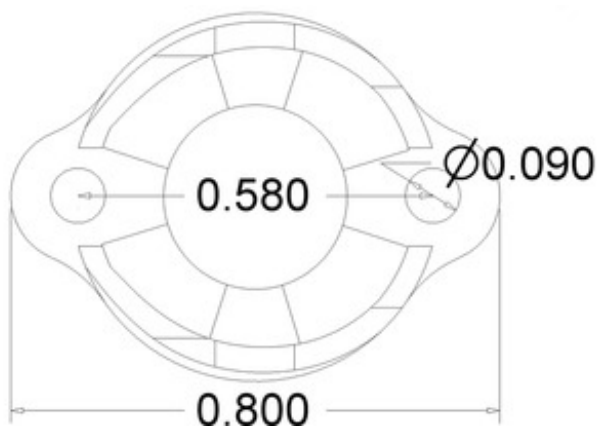


Pololu ball caster with 1/2" plastic ball with included hardware.

Overview

This ball caster kit includes a black ABS housing, a 1/2" diameter plastic ball, two spacers (1/16" and 1/8" thick), and two #2 screw sets. The total height of the ball caster, 0.53", can be increased to about 0.7" using the included spacers. The two included #2 screws can be used to mount the ball caster to your chassis (the distance between the screw holes is 0.58").

Note that our ball casters are designed for small robots; they are not intended to bear more than a few pounds. With more weight than this, friction between the ball and the housing will probably keep it from rolling well.



Comparison of Pololu ball casters

Pololu ball caster ball diameter	height with no spacers	distance between screw holes	weight with no spacers or screws
3/8" plastic-ball	0.40"	0.53"	0.03 oz
3/8" metal-ball	0.40"	0.53"	0.14 oz
1/2" plastic-ball	0.53"	0.58"	0.07 oz
1/2" metal-ball	0.53"	0.58"	0.32 oz
3/4" plastic-ball	0.91"	0.24"	0.25 oz
3/4" metal-ball	0.83"	0.61"	1.05 oz

1" plastic-ball	1.10"	0.70"	0.36 oz
-----------------	-------	-------	---------

[Documentation on producer website.](#)

X-ON Electronics

Largest Supplier of Electrical and Electronic Components

Click to view similar products for [pololu](#) manufacturer:

Other Similar products are found below :

[75:1 MICRO METAL GEARMOTOR HPCB](#) [9.7:1 25DX48L MM MP 12V](#) [99:1 25DX54L MM HP 12V](#) [DAGU WILD THUMPER 4WD SILVER 75:1](#) [172:1 25DX56L MM LP 12V 48 CPR ENCODER](#) [LACT6P-12V-20 LINEAR ACTUATOR](#) [SANYO PANCAKE STEPPER MOTOR](#) [30:1 HPCB 12V DUAL-SHAFT](#) [STRANDED WIRE: BLUE, 20 AWG, 40](#) [STRANDED WIRE: WHITE, 20 AWG, 40](#) [AR-3606HB POLOLU-2302](#) [POLOLU-707](#) [POWER DISTRIBUTION BOARD FOR ROMI](#) [34:1 25DX52L MM HP 12V](#) [34:1 25DX52L MM MP 12V](#) [A-STAR 32U4 PRIME LV MICROSD WITH LCD](#) [4.4:1 METAL GEARMOTOR 25DX48L MM HP](#) [499:1 METAL GEARMOTOR 25DX58L MM LP 6V](#) [UM7-LT ORIENTATION SENSOR](#) [UM7 ORIENTATION SENSOR](#) [378:1 25DX58L MM LP 12V 48 CPR ENCODER](#) [378:1 METAL GEARMOTOR 25DX58L MM LP 6V](#) [DAGU WILD THUMPER 6WD SILVER 75:1](#) [LACT10-12V-20 LINEAR ACTUATOR](#) [LACT10P-12V-20 LINEAR ACTUATOR](#) [LACT12-12V-20 LINEAR ACTUATOR](#) [LACT12P-12V-20 LINEAR ACTUATOR](#) [LACT2P-12V-20 LINEAR ACTUATOR](#) [LACT6-12V-20 LINEAR ACTUATOR](#) [ROMI CHASSIS KIT - BLACK](#) [ROVER 5 EXPANSION PLATE](#) [RRC07A \(NARROW\)](#) [1000:1 LP 6V DUAL-SHAFT](#) [1000:1 MICRO METAL GEARMOTOR HPCB](#) [100:1 MICRO METAL GEARMOTOR MP](#) [SANYO MINIATURE STEPPER MOTOR](#) [700:1 SUB-MICRO GEARMOTOR 6DX21L](#) [CONCENTRIC LACT4-12V-5 LINEAR ACTUATOR](#) [CONCENTRIC LACT4P-12V-20 LINEAR ACTUATOR](#) [CONCENTRIC LACT8P-12V-20 LINEAR ACTUATOR](#) [75:1 HPCB 12V](#) [ALUMINUM MOUNTING HUB FOR 5MM SHAFT #4-4](#) [MINI MAESTRO 12-CHANNEL \(ASSEMBLED\)](#) [POLOLU-1456](#) [SOLARBOTICS GM2 224:1 GEAR MOTOR](#) [STAMPED ALUMINUM L-BRACKET FOR NEMA 14](#) [PANCAKE STEPPER MOTOR WITH ENCODER: 5.4V](#) [SPDT RELAY CARRIER WITH 12VDC RELAY \(PAR](#) [G2 HIGH-POWER MOTOR DRIVER 18V25](#) [G2 HIGH-POWER MOTOR DRIVER 24V21](#)