

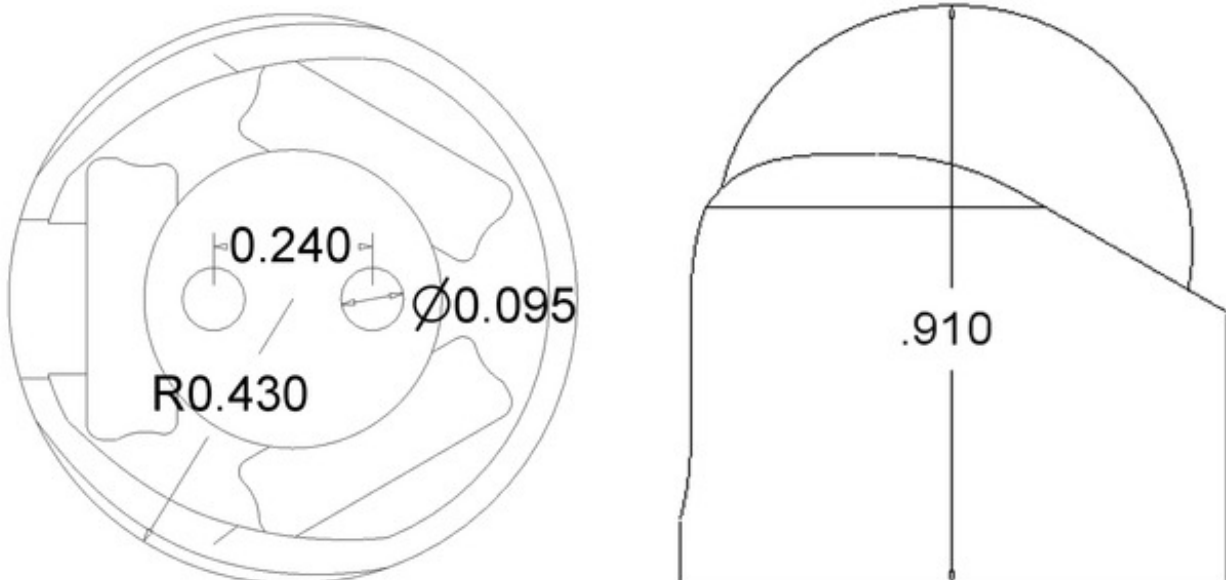
Pololu Ball Caster with 3/4" Plastic Ball



**Overview**

This ball caster kit includes a black ABS housing, a 3/4" diameter plastic ball, three dowel pin rollers, two spacers (1/16" and 1/8" thick), and two #2 screw sets. The total height of the ball caster, 0.91", can be increased to about 1.1" using the included spacers. The two included #2 screws can be used to mount the ball caster to your chassis (the distance between the screw holes is 0.24").

Note that our ball casters are designed for small robots; they are not intended to bear more than a few pounds. With more weight than this, friction between the ball and the housing will probably keep it from rolling well.



**Comparison of Pololu ball casters**

Pololu ball caster ball diameter	height with no spacers	distance between screw holes	weight with no spacers or screws
3/8" plastic-ball	0.40"	0.53"	0.03 oz

3/8" metal-ball	0.40"	0.53"	0.14 oz
1/2" plastic-ball	0.53"	0.58"	0.07 oz
1/2" metal-ball	0.53"	0.58"	0.32 oz
3/4" plastic-ball	0.91"	0.24"	0.25 oz
3/4" metal-ball	0.83"	0.61"	1.05 oz
1" plastic-ball	1.10"	0.70"	0.36 oz

[Documentation on producer website.](#)

## X-ON Electronics

Largest Supplier of Electrical and Electronic Components

*Click to view similar products for [pololu](#) manufacturer:*

Other Similar products are found below :

[75:1 MICRO METAL GEARMOTOR HPCB](#) [9.7:1 25DX48L MM MP 12V](#) [99:1 25DX54L MM HP 12V](#) [DAGU WILD THUMPER 4WD SILVER 75:1](#) [172:1 25DX56L MM LP 12V 48 CPR ENCODER](#) [LACT6P-12V-20 LINEAR ACTUATOR](#) [SANYO PANCAKE STEPPER MOTOR](#) [30:1 HPCB 12V DUAL-SHAFT](#) [STRANDED WIRE: BLUE, 20 AWG, 40](#) [STRANDED WIRE: WHITE, 20 AWG, 40](#) [AR-3606HB POLOLU-2302](#) [POLOLU-707](#) [POWER DISTRIBUTION BOARD FOR ROMI](#) [34:1 25DX52L MM HP 12V](#) [34:1 25DX52L MM MP 12V](#) [A-STAR 32U4 PRIME LV MICROSD WITH LCD](#) [4.4:1 METAL GEARMOTOR 25DX48L MM HP](#) [499:1 METAL GEARMOTOR 25DX58L MM LP 6V](#) [UM7-LT ORIENTATION SENSOR](#) [UM7 ORIENTATION SENSOR](#) [378:1 25DX58L MM LP 12V 48 CPR ENCODER](#) [378:1 METAL GEARMOTOR 25DX58L MM LP 6V](#) [DAGU WILD THUMPER 6WD SILVER 75:1](#) [LACT10-12V-20 LINEAR ACTUATOR](#) [LACT10P-12V-20 LINEAR ACTUATOR](#) [LACT12-12V-20 LINEAR ACTUATOR](#) [LACT12P-12V-20 LINEAR ACTUATOR](#) [LACT2P-12V-20 LINEAR ACTUATOR](#) [LACT6-12V-20 LINEAR ACTUATOR](#) [ROMI CHASSIS KIT - BLACK](#) [ROVER 5 EXPANSION PLATE](#) [RRC07A \(NARROW\)](#) [1000:1 LP 6V DUAL-SHAFT](#) [1000:1 MICRO METAL GEARMOTOR HPCB](#) [100:1 MICRO METAL GEARMOTOR MP](#) [SANYO MINIATURE STEPPER MOTOR](#) [700:1 SUB-MICRO GEARMOTOR 6DX21L](#) [CONCENTRIC LACT4-12V-5 LINEAR ACTUATOR](#) [CONCENTRIC LACT4P-12V-20 LINEAR ACTUATOR](#) [CONCENTRIC LACT8P-12V-20 LINEAR ACTUATOR](#) [75:1 HPCB 12V](#) [ALUMINUM MOUNTING HUB FOR 5MM SHAFT #4-4](#) [MINI MAESTRO 12-CHANNEL \(ASSEMBLED\)](#) [POLOLU-1456](#) [SOLARBOTICS GM2 224:1 GEAR MOTOR](#) [STAMPED ALUMINUM L-BRACKET FOR NEMA 14](#) [PANCAKE STEPPER MOTOR WITH ENCODER: 5.4V](#) [SPDT RELAY CARRIER WITH 12VDC RELAY \(PAR](#) [G2 HIGH-POWER MOTOR DRIVER 18V25](#) [G2 HIGH-POWER MOTOR DRIVER 24V21](#)