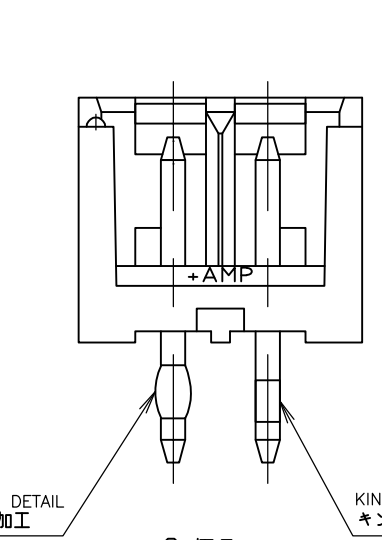
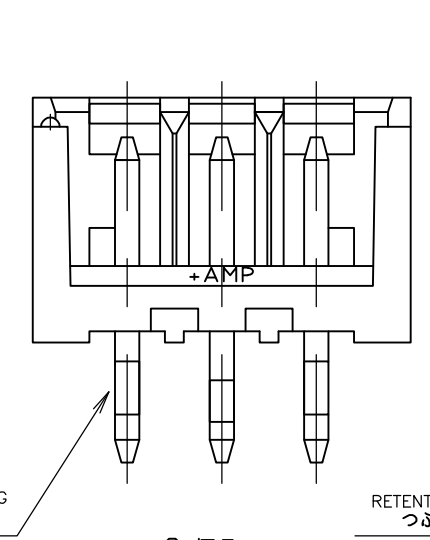
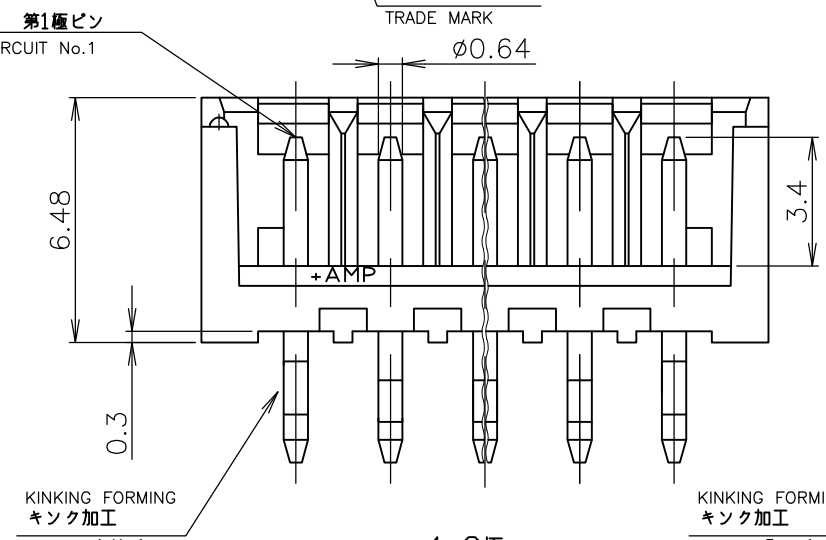
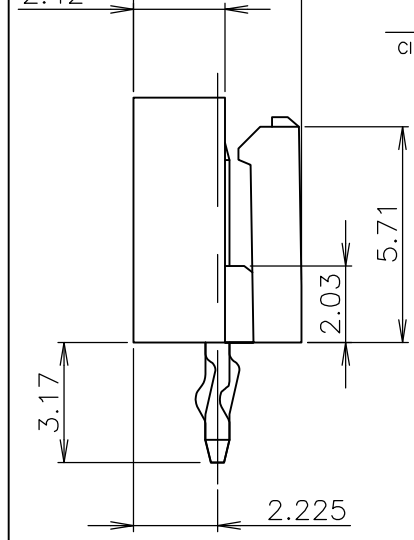
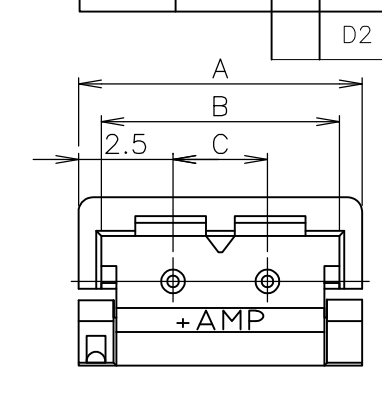
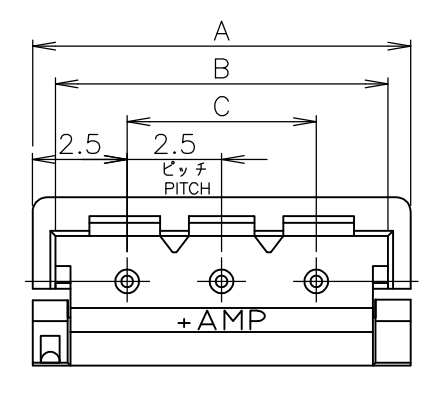
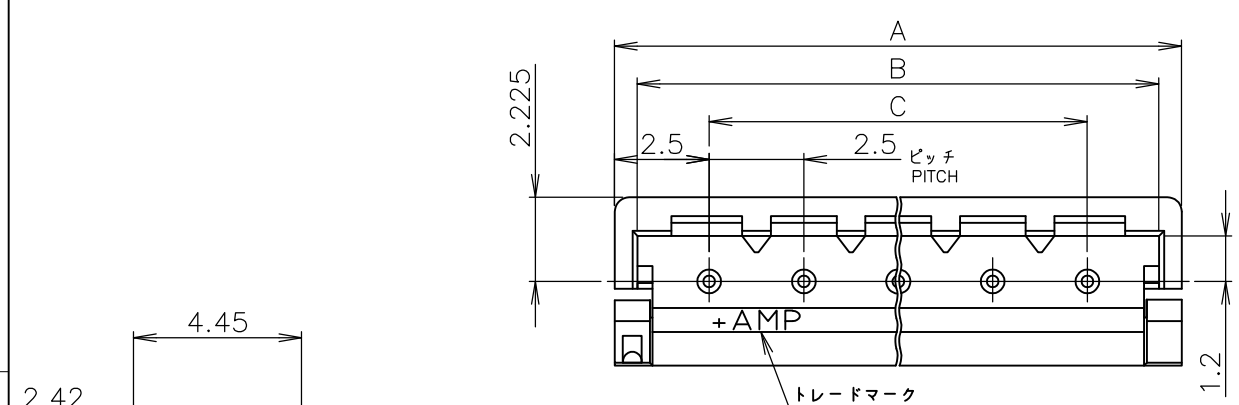


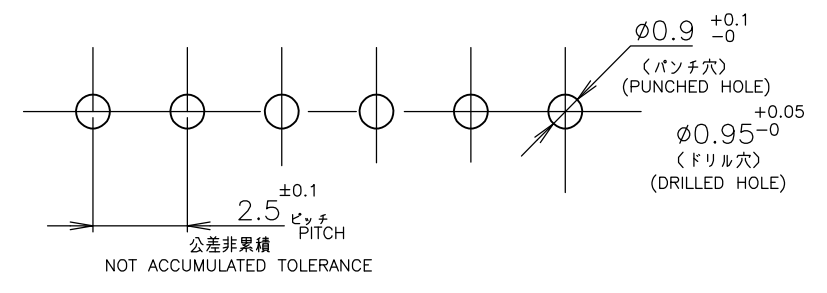
THIS DRAWING IS UNPUBLISHED. RELEASED FOR PUBLICATION
 © COPYRIGHT By - ALL RIGHTS RESERVED.

LOC	DIST	REVISIONS		
J		P	LTR	DESCRIPTION
				DATE
				DWN
				APVD
		D2		REVISED(ECR-14-018055)
				17MAR15
				W.C
				V.P



注記
 1. 材料：ハウジング - 66 ナイロン (UL94V-0)
 ポスト - 錫めっき黄銅
 2. 適用製品規格：108-5385
 3. 嵌合相手製品型番：P/N 177534, 179872

NOTES;
 1. MATERIAL : HOUSING - 66NYLON (UL94V-0)
 POST - PRE-TIN BRASS
 2. PRODUCT SPEC : 108-5385
 3. MATING COUNTER PART NUMBER : P/N 177534 ,179872



RECOMMENDABLE P.C.BOARD LAYOUT
 推奨基板寸法
 (板厚 1.0~1.6)
 (B.C.B THK:1.0~1.6)

30.0	34.2	35.0	13	9-	-3	7-	-3	5-	-3	3-	-3	1-	-3
27.5	31.7	32.5	12	9-	-2	7-	-2	5-	-2	3-	-2	1-	2-
25.0	29.2	30.0	11	9-	-1	7-	-1	5-	-1	3-	-1	1-	-1
22.5	26.7	27.5	10	9-	-0	7-	-0	5-	-0	3-	-0	1-	-0
20.0	24.2	25.0	9	8-	-9	6-	-9	4-	-9	2-	-9	1-	2-
17.5	21.7	22.5	8	8-	-8	6-	-8	4-	-8	2-	-8		-8
15.0	19.2	20.0	7	8-	-7	6-	-7	4-	-7	2-	-7		-7
12.5	16.7	17.5	6	8-	-6	6-	-6	4-	-6	2-	-6		-6
10.0	14.2	15.0	5	8-	-5	6-	-5	4-	-5	2-	-5		-5
7.5	11.7	12.5	4	8-	-4	6-	-4	4-	-4	2-	-4		-4
5.0	9.2	10.0	3	8-	-3	6-	-3	4-	-3	2-	-3		-3
2.5	6.7	7.5	2	8-177537-2		6-177537-2		4-177537-2		2-177537-2			177537-2
C	B	A	極数 Pos.	青 BLUE	黒 BLACK	赤 RED	黄 YELLOW	製品型番 PART No.					

OBSOLETE:
 1-177537-2
 177537-9

THIS DRAWING IS A CONTROLLED DOCUMENT.

DIMENSIONS: 単位: 概 mm	TOLERANCES UNLESS OTHERWISE SPECIFIED: 一般公差	DWN S.KANEKI 140CT92	TE Connectivity POST HDR ASSEMBLY 2.5mm PITCH METRIC INTERCONNECT SYSTEM
	0-PLC ± 1-PLC ± 2-PLC ± 3-PLC ± 4-PLC ± ANGLES ±	CHK A.ONO 140CT92	
MATERIAL 材料 SEE NOTE 1	FINISH 仕上	APVD S.KUBOUCHI 250CT95	

PRODUCT SPEC 製品規格
 APPLICATION SPEC 取付適用規格
 WEIGHT

NAME 名称
 SIZE CAGE CODE DRAWING NO 番号
 A3 00779 C-177537
 RESTRICTED TO

CUSTOMER DRAWING
 SCALE 尺度 10:1 SHEET 1 OF 1 REV D2

X-ON Electronics

Largest Supplier of Electrical and Electronic Components

Click to view similar products for [Headers & Wire Housings](#) category:

Click to view products by [TE Connectivity](#) manufacturer:

Other Similar products are found below :

[95000-104TRLF](#) [10135584-644402LF](#) [DF62W-EP2022PCA](#) [95000-106TRLF](#) [DF62W-2022SCA](#) [DF62W-EP2022PC](#) [2203348](#) [DF62W-2022SC](#) [1084018](#) [1029039](#) [1084017](#) [802-10-012-10-002000](#) [1112640](#) [1112639](#) [000-34000](#) [0009482033](#) [0009507031](#) [57102-S06-03LF](#) [57202-S52-04LF](#) [PCN6-15S-2.5E](#) [0039019024](#) [58102-G61-06LF](#) [582553-1](#) [0009485154](#) [0009508121](#) [0022285053](#) [0050291907](#) [018731A](#) [LY20-4P-DT1-P1E-BR](#) [02.125.8002.8](#) [60101931](#) [60598-1 \(Cut Strip\)](#) [M1625-3R/100](#) [61062-3](#) [61082-181009](#) [636-1427](#) [638009-1](#) [641938-9](#) [641991-4](#) [644168-1](#) [647662-1](#) [65039-019ELF](#) [65781-047](#) [65817-002LF](#) [65817-015LF](#) [65863-015LF](#) [66207-023LF](#) [67016-026LF](#) [67046-001LF](#) [67095-007LF](#)