

ATP Thermal Printer



Adam Equipment's ATP thermal printer is compact and ideally suited for use with Adam balances and scales.

Simple-to-use features combined with quick set-up makes for a truly versatile printer. A single positive push-button feed key and three easy-to-read LED indicators make operation simple.

Combined with the compact design, which takes little space on the bench, this makes the ATP the right choice for any printing applications.

With nearly 40 years of experience in the production of scales and balances and their accessories, you can trust Adam for quality products that offer a range of features designed for many different applications.



ADAM[®]
THE RIGHT BALANCE
Speed, Performance, Value

ATP Highlights:

Direct access to the print roll makes changing printer paper a simple procedure.

LED indicators let you know when the paper has run out and needs to be replaced.

Multi-lingual text support provides up to 26 international language character sets.

Selectable baud rates for increased flexibility for greater compatibility with other devices.

For quick and easy printing, the Adam ATP is the right choice.

Features

- Interface capabilities: serial port
- Support for up to 26 international character sets
- Print size 24 x 24 dot
- Column size 384 dots per line
- Print speed 50mm / sec
- LED indicators to show power, error and when out of paper
- 57.5mm paper width
- Selectable baud rates



RS-232 25 pin serial interface port



Changing paper rolls is effortless



External power adapter

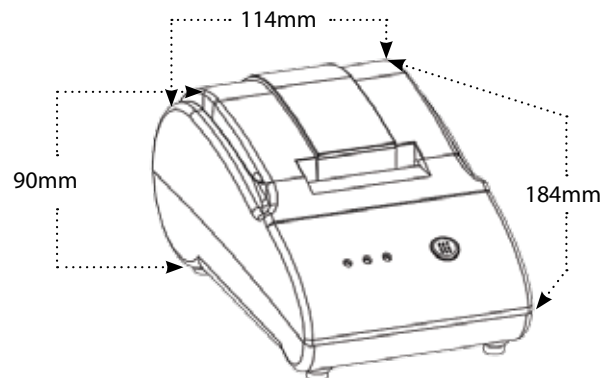
Technical Specifications

Accessories

No. 3126011263 Thermal paper

No. 3126011281 Thermal paper (10pk)

Model	ATP Thermal Printer
Power Supply	External power adapter 110/220 VAC - 8.5 VDC OUT
Baud Rates	Selectable from 2400 to 115200
Data Bits	8
Parity	None
Operating Temperature	0°C to + 45°C
Housing	ABS plastic housing
Overall Dimensions (WxDxH)	114mm x 184mm x 90mm
Net Weight	0.76kg with paper roll installed



www.adamequipment.co.uk

ADAM

X-ON Electronics

Largest Supplier of Electrical and Electronic Components

Click to view similar products for [adam](#) manufacturer:

Other Similar products are found below :

[NPC-6-010-BU](#) [NPC-5E-010-GY](#) [NPC-5E-010-GY-BB](#) [CA-MINIDP-HDMIF-6FT](#) [CA-MINIDP-DVIM-6FT](#) [CA-MINIDP-DVIM-3FT](#) [CA-MINIDP-DVIM-10FT](#) [CA-MINIDP-VGAF-3FT](#) [HPH1-B-11-UA](#) [15SH-A-07-TS](#) [25SH-E-05-TR](#) [BHR-14-VUA](#) [LHC-04-TRA-V0](#) [DA15-HD-PB-TS](#) [IEC-A-1](#) [DE09-PN-25](#) [DPD-09-10-B3](#) [PCA-6-06-V-3](#) [RF2-03E-T-00-50-G](#) [DE09-PN-24](#) [BHR-10-VUA](#) [DA15-SL-26](#) [DA15-ST-1](#) [DB25-SL-23](#) [EB9A-02-C](#) [CB 501](#) [PLCC-32-AT](#) [15SH-A-04-TS](#) [MTF-B-04](#) [LHD-05-TS](#) [2SH-C-03-TR](#) [ADC-028-2-T/R](#) [DDR-04](#) [MTC-03](#) [SOD-200-S-5-5.2](#) [RS2BR-A-12-SG-SMT](#) [ICM-328-1-TT-HT](#) [ICM-432-1-GT-HT](#) [ICM-432-1-TT](#) [ICM-432-1-TT-HT](#) [ICM-648-1-GT](#) [ICM-648-1-TT](#) [25CH-B-06](#) [ICM-316-1-GT-HT](#) [ICM-328-1-TT](#) [ICM-432-1-GT](#) [ICM-648-1-GT-HT](#) [ICM-648-1-TT-HT](#) [ICM-316-1-TT-HT](#) [ICM-316-1-TT](#)