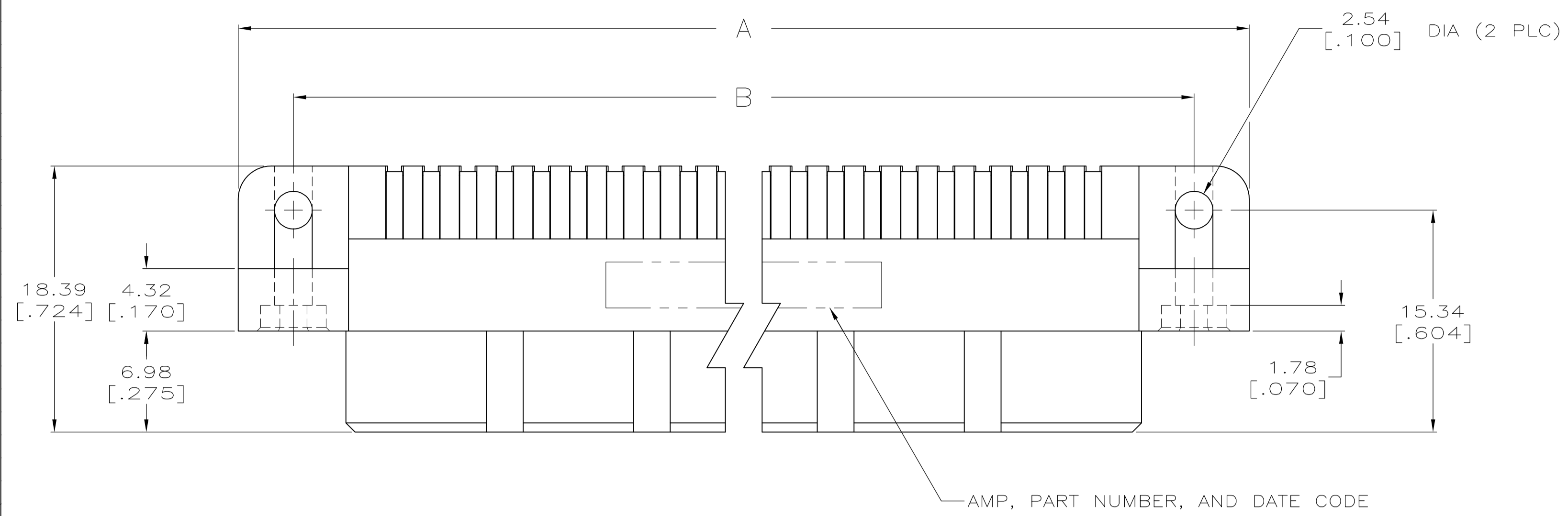
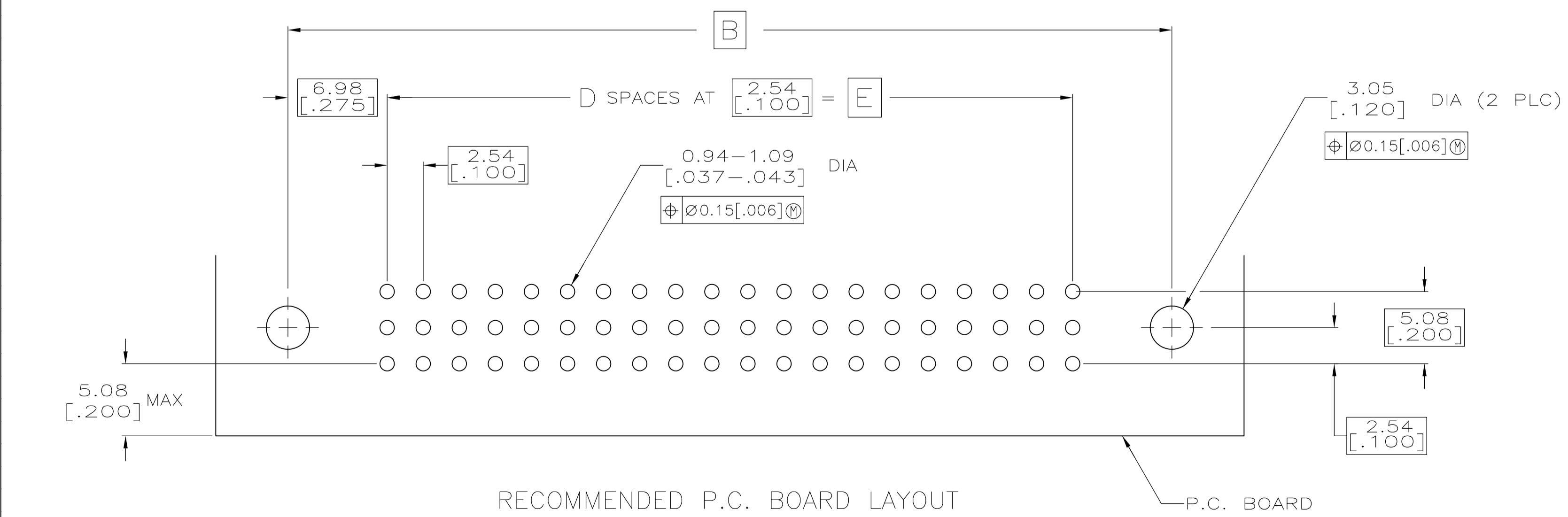
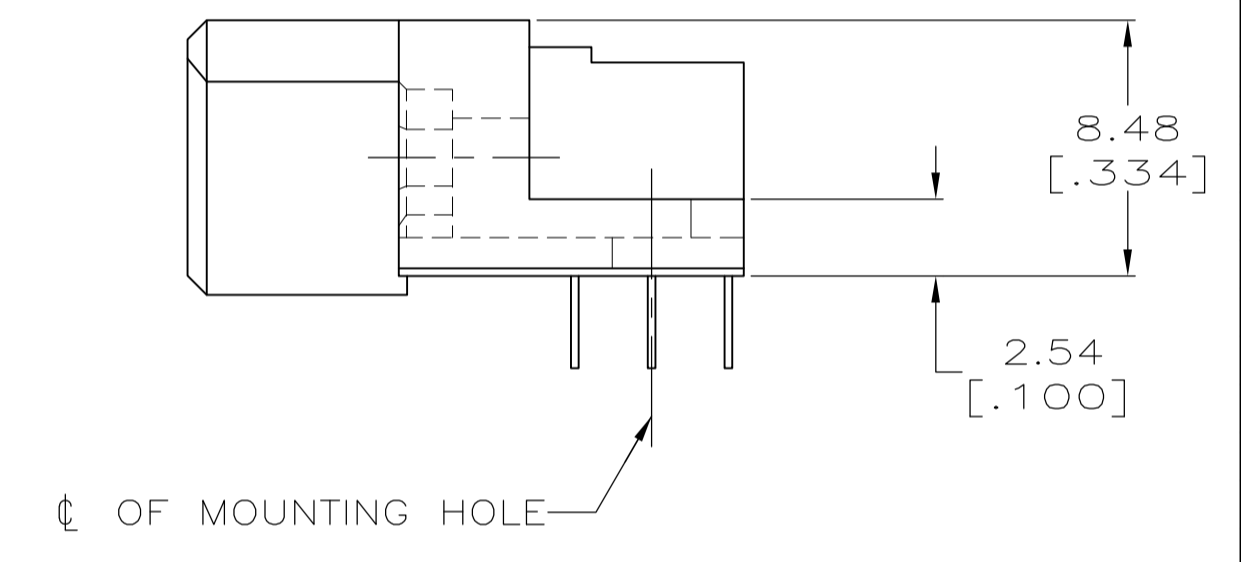
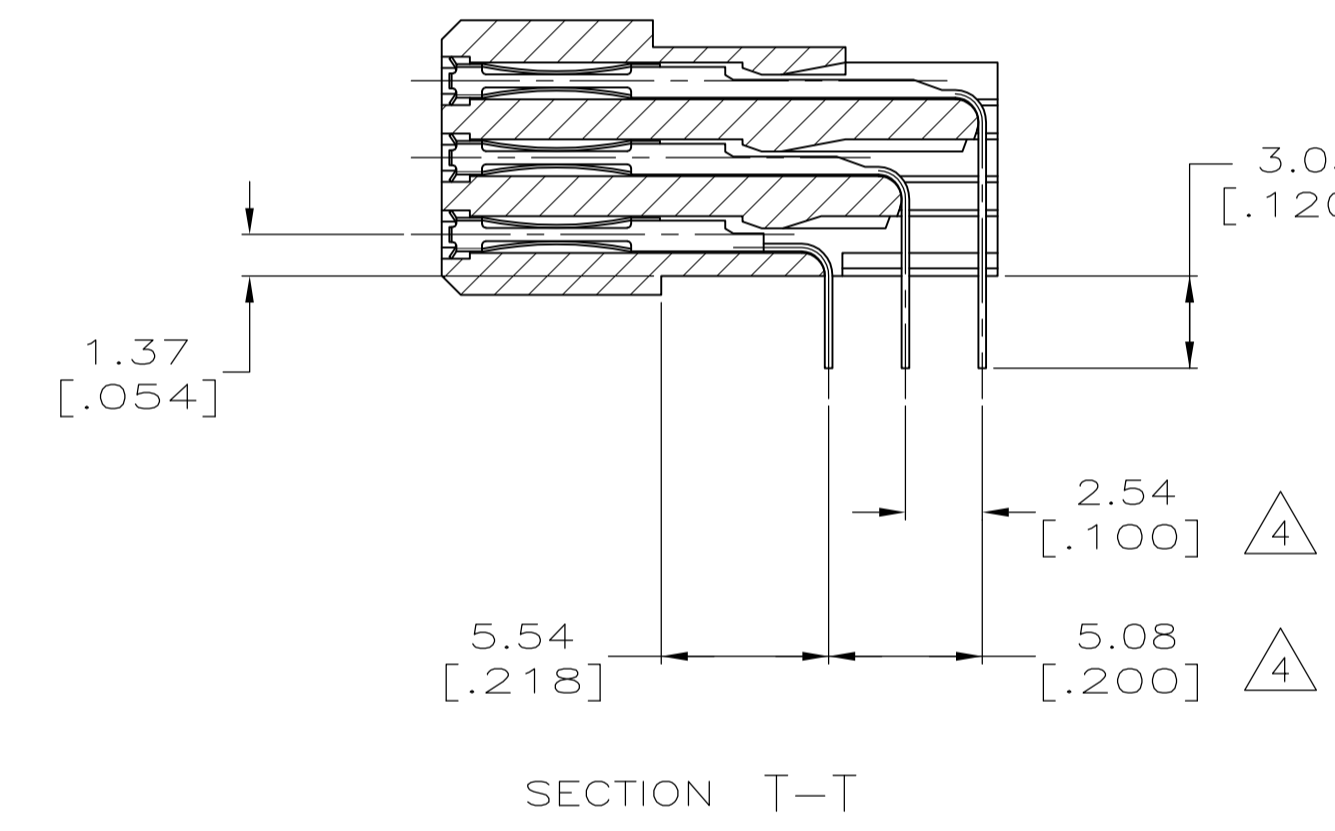
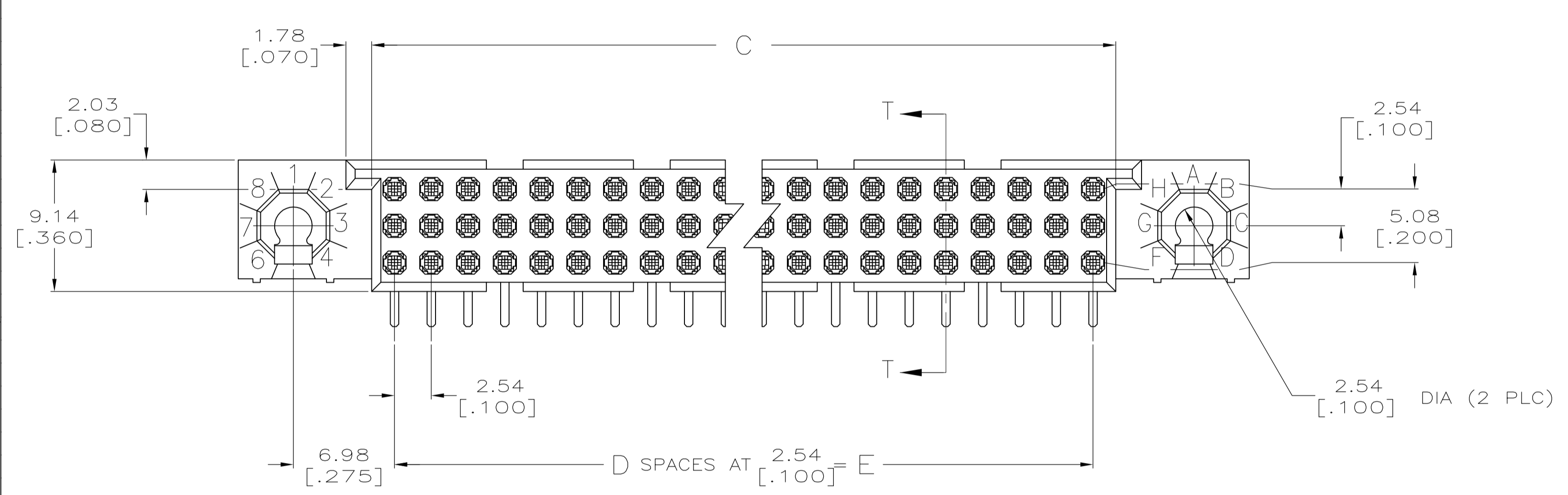


REVISONS		DATE	BY	APPV
0	RELEASE PER EC 0512-0034-05	10JUN05	JDP	AMS
01	REVISED PER ECO-09-024606	02NOV09	KK	AEG



- 1 HOUSING MATERIAL: THERMOPLASTIC.
- 2 CONTACT MATERIAL: COPPER ALLOY.
- 3 CONTACT FINISH: .00127-.00254 [.000050-.000100] NICKEL UNDERPLATE ALL OVER; .00076 [.000030] GOLD PLATE IN CONTACT AREA, TIN PLATED SOLDER TAILS.
- 4 SOLDER TAILS MUST FIT HOLE PATTERN AS SHOWN ON THE RECOMMENDED P.C. BOARD LAYOUT.
- 5 HOUSINGS WITH CENTER MOUNTING IS RECOMMENDED FOR ASSEMBLIES HAVING 75 CONTACTS PER ROW OR MORE.
- 6 OBSOLETE PARTS: OBSOLETE CIS STREAMLINING PER D.RENAUD/D.SINISI



POSN	A	B	C	D	E	PART NUMBER
240	222.25 [8.750]	214.63 [8.450]	203.81 [8.024]	79	200.66 [7.900]	1-5533268-3
225	209.55 [8.250]	201.93 [7.950]	191.11 [7.524]	74	187.96 [7.400]	1-5533268-2
180	171.45 [6.750]	163.83 [6.450]	153.01 [6.024]	59	149.86 [5.900]	5533268-9
165	158.75 [6.250]	151.13 [5.950]	140.31 [5.524]	54	137.16 [5.400]	5533268-8
150	146.05 [5.750]	138.43 [5.450]	127.61 [5.024]	49	124.46 [4.900]	5533268-7
135	133.35 [5.250]	125.73 [4.950]	114.91 [4.524]	44	111.76 [4.400]	5533268-6
120	120.65 [4.750]	113.03 [4.450]	102.21 [4.024]	39	99.06 [3.900]	5533268-5
96	100.33 [3.950]	92.71 [3.650]	81.89 [3.224]	31	78.74 [3.100]	5533268-3

THIS DRAWING IS A CONTROLLED DOCUMENT.

DIMENSIONS: mm [INCHES]

TOLERANCES UNLESS OTHERWISE SPECIFIED:

0 PLC	± -
1 PLC	± -
2 PLC	± 0.13[.005]
3 PLC	± -
4 PLC	± -
ANGLES	± -

MATERIAL: 1 2

FINISH: 3

THIS DRAWING IS A CONTROLLED DOCUMENT.

DIN J. POLIGNONE 10JUN05

CIK A. SHARPE 10JUN05

APVD A. SHARPE 10JUN05

PRODUCT SPEC

APPLICATION SPEC

WEIGHT

SIZE: A1

CODE: 00779

DRAWING NO: 5533268

RESTRICTED TO

CUSTOMER DRAWING

SCALE: 4:1

SHEET: 1 of 1

REV: 01

## X-ON Electronics

Largest Supplier of Electrical and Electronic Components

*Click to view similar products for [High Speed/Modular Connectors](#) category:*

*Click to view products by [TE Connectivity](#) manufacturer:*

Other Similar products are found below :

[2332816-1](#) [89006-1137LF](#) [650827-1](#) [65762-001LF](#) [73474-201LF](#) [74040-1346](#) [74075-0267](#) [1410191-1](#) [1410337-1](#) [1410368-3](#) [1410964-2](#)  
[1410367-3](#) [1410971-4](#) [1467833-1](#) [2000877-1](#) [2000878-1](#) [2041314-1](#) [2065387-1](#) [2187307-1](#) [2187462-1](#) [2226278-6](#) [KA81-07](#) [91290-101LF](#)  
[163P](#) [1934290-1](#) [2000875-1](#) [2065917-1](#) [2102736-2](#) [FSR-40](#) [2169868-2](#) [2226279-2](#) [22354-8](#) [437-5040-000](#) [5-1393565-0](#) [532449-3](#) [532803-](#)  
[2](#) [34745-0001](#) [0736440217](#) [1-1393708-5](#) [72388-0021LF](#) [73774-1000](#) [740401386](#) [532939-1](#) [5-531355-3](#) [5532901-3](#) [85838-180LF](#)  
[HM1S43TRR460H6PLF](#) [0760205010](#) [1-966831-4](#) [3-1469268-7](#)