

MKDS 1,5

Pitch 5.0 or 5.08

(IEC)	rigid	flexible	I	U	
[mm ²]	solid	stranded	AWG	[A]	[V]
Connection data	0.14-2.5	0.14-1.5	26-14	22	250



Description	No. of positions	Dim. a [mm]	Type	Order No.	Pcs. Pkt.
Printed circuit screw termination blocks, 5.0 mm pitch , with housing interlocking, color: green	2	10	MKDS 1,5/2	17 15 02 2	50
	3	15	MKDS 1,5/3	17 15 03 5	
	4	20	MKDS 1,5/4	17 15 04 8	
	8	40	MKDS 1,5/8	17 15 08 0	
	12	60	MKDS 1,5/12	17 15 12 9	
Printed circuit screw termination blocks, 5.08 mm pitch , with housing interlocking, color: green	2	10.16	MKDS 1,5/2-5,08	17 15 72 1	50
	3	15.24	MKDS 1,5/3-5,08	17 15 73 4	
	4	20.32	MKDS 1,5/4-5,08	17 15 74 7	
	8	40.64	MKDS 1,5/8-5,08	17 15 78 9	
	10	50.80	MKDS 1,5/10-5,08	17 15 80 2	
	12	60.96	MKDS 1,5/12-5,08	17 15 82 8	

Accessories

(1) **Pitch spacer**, for adjusting the pitches between MKDS and GMKDS terminal blocks in mixed rows, 1.25 mm thick

**RZ 1,25-MKDS 1,5****17 02 04 8**

100

(4) **Screwdriver**, blade: 0.6 x 3.5 x 100 mm, length: 180 mm

**SZS 0,6 x 3,5****12 05 05 3**

10

(5) **Marker card**, with 12 pcs., 10-section marker strips, white, selfadhesive, for 120 terminal blocks

SK 5/3,8... or SK 5,08/3,8...(see [info](#))**Technical data****Dimensions**

see description

Pitch	[mm]	5 / 5.08
Hole diameter	[mm]	1.3
Pin dimensions	[mm]	0.9 x 0.9

Technical data in accordance with IEC / DIN VDE

Insulation material group	–	I		
Surge voltage category / contamination class	–/–	III / 3	III / 2	II / 2

Rated voltage	[V]	250	320	630
Rated surge voltage	[kV]	4	4	4
Nominal current / cross section	[A]/[mm ²]		17.5 / 1.5	
Maximum load current / cross section	[A]/[mm ²]		22 / 2.5	

Connection capacity

solid / stranded / conductor sizes	[mm ²]/[mm ²]/AWG	0.14 - 2.5 / 0.14 - 1.5 / 26 - 14
stranded with ferrules without / with plastic collar	[mm ²]	0.25 - 1.5 / 0.25 - 1.5

Multiple connection (2 conductors with same cross section)

solid / stranded	[mm ²]	0.14 - 1 / 0.14 - 0.75
stranded with ferrules without plastic collar	[mm ²]	0.25 - 0.5
stranded with TWIN ferrules with plastic collar	[mm ²]	0.5 - 1

Stripping length [mm] 7

Internal cylindrical gage (IEC 947-1:1988) - A 1

Thread - M 3

Torque [Nm] 0.5 - 0.6

Insulation material PA

Inflammability class acc. to UL 94 V2

Temperature indices RTI/Ti 125 / 100

Approval data (UL and CSA)

Nominal voltage / current / conductor sizes UL: [V] / [A] / AWG 300 / 10 / 30-14

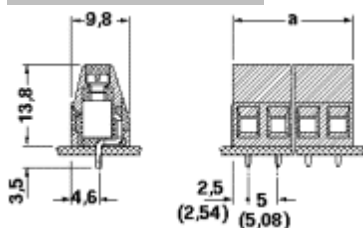
CSA: [V] / [A] / AWG 300 / 10 / 28-14

Articles printed in bold can be delivered at short notice.
 Products with black or gray housing available on request.

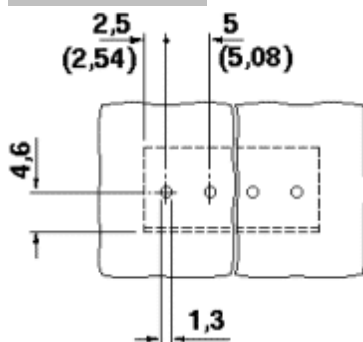
Note:

In order to avoid tolerances between the terminal blocks and the printed circuit board, the terminal row should be interrupted when the number of positions exceeds 30.

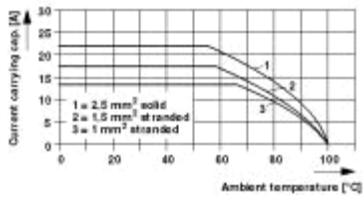
Dimensional drawing



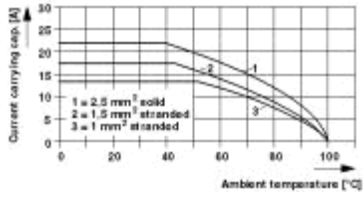
Drilling diagram



Diagram



Current carrying capacity depending on the ambient temperature MKDS 1,5/2



X-ON Electronics

Largest Supplier of Electrical and Electronic Components

Click to view similar products for [phoenix contact manufacturer](#):

Other Similar products are found below :

[1203259](#) [3240366](#) [1893300](#) [2800744](#) [2867076](#) [3006564](#) [2800741](#) [5146480](#) [1582539](#) [1623633](#) [1507793](#) [3025587](#) [3069708](#) [1582223](#)
[1431461](#) [1586976](#) [0311647](#) [1460160](#) [1771338](#) [3048387](#) [2814605](#) [0309086](#) [1513716](#) [3035684](#) [5451417](#) [0202219](#) [1647747](#) [1730667](#)
[1709267](#) [5449018](#) [0311634](#) [1730696](#) [3034057](#) [0311579](#) [1730683](#) [0719032](#) [5449843](#) [3240098](#) [0311566](#) [0201391](#) [CRIMPFOX 16 S](#)
[CRIMPFOX 25R](#) [CRIMPSET 25](#) [7001438](#) [ETD-BL-1T-F-300S](#) [MCR-1CLP-I-I-00](#) [MCR-4CLP-I-I-00](#) [MCR-DAC 8-I- 4-BUS](#) [FL EPA](#)
[WMS](#) [FLK 50/EZ-DR/ 400/KONFEK/S](#)