

**FRONT 2,5-V/SA 5/ 2**

Order No.: 1700244

<http://eshop.phoenixcontact.net/phoenix/treeViewClick.do?UID=1700244>

PC terminal block, Nominal current: 24 A, Nom. voltage: 250 V, Pitch: 5 mm, Number of positions: 2, Type of connection: Screw connection, Assembly: Soldering, Conductor/PCB connection direction: 90 °, Color: gray, The article can be aligned to create different nos. of positions!

**Commercial data**

EAN	4017918257163
Pack	10 pcs.
Customs tariff	85369010
Weight/Piece	0.008131 KG
Catalog page information	Page 83 (CC-2009)

**Product notes**WEEE/RoHS-compliant since:  
02/01/2005

<http://www.download.phoenixcontact.com>  
Please note that the data given here has been taken from the online catalog. For comprehensive information and data, please refer to the user documentation. The General Terms and Conditions of Use apply to Internet downloads.

**Certificates / Approvals**

Certification CSA, CUL, UL

**CSA**

Nominal voltage $U_N$	300 V
Nominal current $I_N$	10 A

AWG/kcmil	24-12
-----------	-------

**CUL**

Nominal voltage $U_N$	300 V
Nominal current $I_N$	10 A
AWG/kcmil	30-12

**UL**

Nominal voltage $U_N$	300 V
Nominal current $I_N$	10 A
AWG/kcmil	30-12

**Accessories**

Item	Designation	Description
<b>Assembly</b>		
1700011	D-FRONT 2,5-V-O.Z.	End cover, necessary at the end of a terminal row, 2.5 mm thick, color: green
1700082	RZ 2,5-FRONT 2,5 V	Pitch spacer, raises the pitch by 2.5 mm, interlocks with terminal block of the same shape, color: green

**Marking**

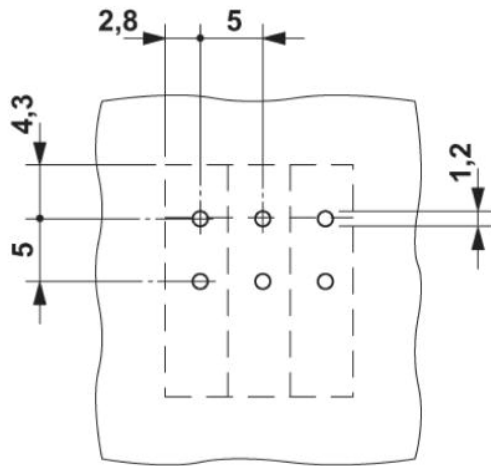
0804183	SK 5/3,8:FORTL.ZAHLEN	Marker card, printed horizontally, self-adhesive, 12 identical decades marked 1-10, 11-20 etc. up to 91-(99)100, sufficient for 120 terminal blocks
---------	-----------------------	-----------------------------------------------------------------------------------------------------------------------------------------------------

**Tools**

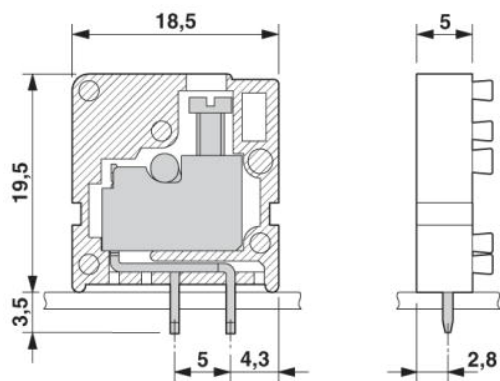
1205053	SZS 0,6X3,5	Screwdriver, bladed, matches all screw terminal blocks up to 4.0 mm <sup>2</sup> connection cross section, blade: 0.6 x 3.5 mm, without VDE approval
---------	-------------	------------------------------------------------------------------------------------------------------------------------------------------------------

### Diagrams/Drawings

Drilling plan/solder pad geometry



Dimensioned drawing



**Address**

PHOENIX CONTACT GmbH & Co. KG  
Flachmarktstr. 8  
32825 Blomberg, Germany  
Phone +49 5235 3 00  
Fax +49 5235 3 41200  
<http://www.phoenixcontact.com>



© 2010 Phoenix Contact  
Technical modifications reserved;

## X-ON Electronics

Largest Supplier of Electrical and Electronic Components

*Click to view similar products for [phoenix contact manufacturer](#):*

Other Similar products are found below :

[1203259](#) [3240366](#) [1893300](#) [2800744](#) [2867076](#) [3006564](#) [2800741](#) [5146480](#) [1582539](#) [1623633](#) [1507793](#) [3025587](#) [3069708](#) [1582223](#)  
[1431461](#) [1586976](#) [0311647](#) [1460160](#) [1771338](#) [3048387](#) [2814605](#) [0309086](#) [1513716](#) [3035684](#) [5451417](#) [0202219](#) [1647747](#) [1730667](#)  
[1709267](#) [5449018](#) [0311634](#) [1730696](#) [3034057](#) [0311579](#) [1730683](#) [0719032](#) [5449843](#) [3240098](#) [0311566](#) [0201391](#) [CRIMPFOX 16 S](#)  
[CRIMPFOX 25R](#) [CRIMPSET 25](#) [7001438](#) [ETD-BL-1T-F-300S](#) [MCR-1CLP-I-I-00](#) [MCR-4CLP-I-I-00](#) [MCR-DAC 8-I- 4-BUS](#) [FL EPA](#)  
[WMS](#) [FLK 50/EZ-DR/ 400/KONFEK/S](#)