

This document is the property of Amphenol Corporation and is delivered on whole or in part, for manufacture or sale by anyone other than Amphenol Corporation without the prior consent, & that no right is granted to disclose or to use any information in this document.

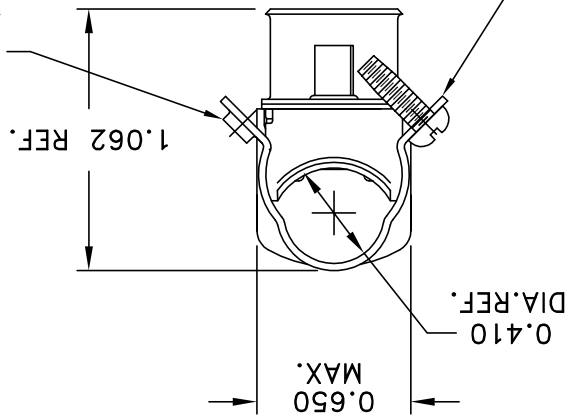
REVISIONS			
SYM	ECN	DESCRIPTION	DATE
A	HK	INITIAL RELEASE	01/08/03 Y.M.LEE
B	HK	ADD CHOP OF ROHS	2/15/06 Y.M.LEE

CONNECTOR SIZES	AVERAGE MATING FORCE (POUNDS)
14	5
24	8
36	12
50	15
64	19

TABLE 1

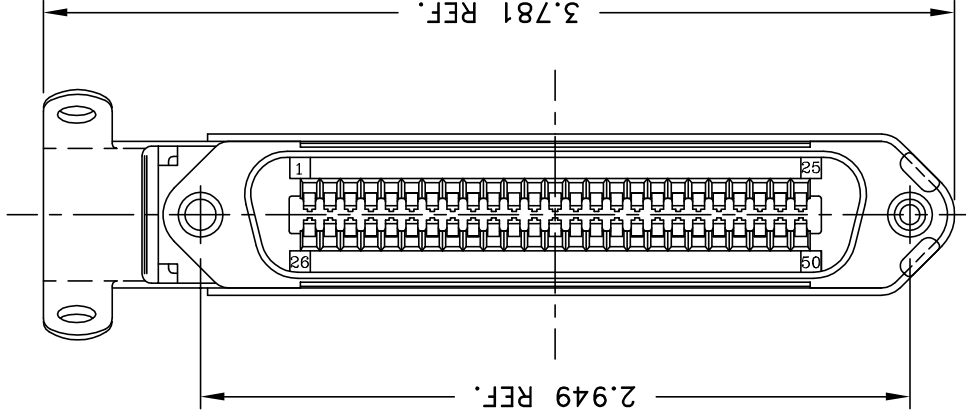
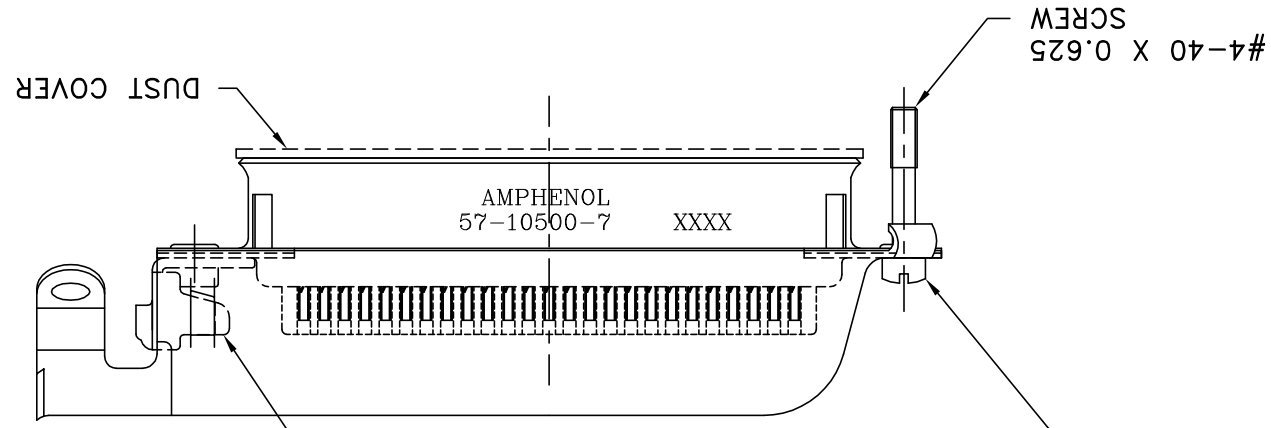
EXTRUSION FOR #4-40 X 3/8 TAPITE SCR.

TO TIGHTEN CABLE CLAMP, BEND THE ENDS INWARD UNTIL THE SCREW & EXTRUSION ARE ON CENTER.



TO ASSEMBLE CONNECTOR, SLIDE THE HOOD (FROM LEFT TO RIGHT ON ILLUSTRATION) IN SUCH A MANNER THAT THE 2 TABS OF THE BRACKET ENTER THE SLOTS OF THE HOOD.

PUT THE LATCHING SCREW THRU. THE HOLE ON LEFT END OF CONNECTOR. THE SCREW HOLDS THE SHELLS TOGETHER & IS RETAINED BY THREADS IN THE HOOD.

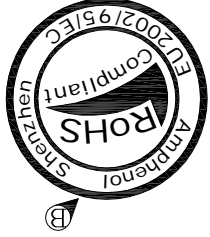


SPECIFICATIONS:

- 1) SOLDER CUP CONTACT: TO ACCOMMODATE 22-30 AWG SOLID AND 24-30 STRANDED CONNECTOR WIRES.
- 2) DIELECTRIC: DIALLY-PHTHALATE PER MIL-M-14F TYPE MDG UL-94V0
- 3) CONTACT MATERIAL: COPPER ALLOY
- 4) CONTACT: 20 MICRO-INCHES MIN. GOLD MATING AREA: 3-5 MICRO-INCHES GOLD TERMINAL AREA: 50 MICRO-INCHES MIN. NICKEL UNDERPLATING ALL OVER.
- 5) SHELL MATERIAL: ZINC PLATED STEEL WITH CLEAR CHROMATE COATING
- 6) CURRENT CAPACITY: 5 AMPS/CONTACT
- 7) VOLTAGE RATING: 200 VOLTS D.C. AT SEA LEVEL
- 8) INSULATION RESISTANCE: >5000 M OHM
- 9) DIELECTRIC WITHSTANDING VOLTAGE: 1200 VAC (RMS) AT SEA LEVEL
- 10) CONNECTOR MATING FORCE: REFER TO TABLE 1.

CUSTOMER INFORMATION DRAWING

- 11) CONTACT RETENTION FORCE: 2 LBS MAX.
- 12) DURABILITY: 250 CYCLES MIN.
- 13) VIBRATION: NO INTERRUPTIONS < 1u SEC.
- 14) OPERATING TEMPERATURE: -55°C TO +105°C (-67°F TO +221°F)
- 15) METAL HOOD, SCREWS AND DUST COVER ARE SHIPPED LOOSE IN BULK PACK.
- 16) CONNECTOR ASSEMBLED FOR ILLUSTRATION ONLY.



ITEM NO	PART OR IDENTIFICATION NO	NOMENCLATURE OR DESCRIPTION	QTY REQ'D
PARTS LIST			
UNLESS OTHERWISE SPECIFIED			
APPROVAL DATE			
DRAWN XS.GUO 2/15/06			
CHECKED			
CHECKED			
DRAWING FILE: \DRAWING\57\05007.DWG			
ANGLE OF PROJECTION			
TITLE 50 CONTACT PLUG ASSEMBLY			
DRAWING NO. C57-10500-7			
SCALE NONE			
SHEET 1 OF 1			

X-ON Electronics

Largest Supplier of Electrical and Electronic Components

Click to view similar products for [Modular Connectors](#) / [Ethernet Connectors](#) category:

Click to view products by [Amphenol](#) manufacturer:

Other Similar products are found below :

[RJE231881317T](#) [MP1010RX-1000](#) [MP44RX-1000](#) [GAX-3-66](#) [GAX-8-62](#) [93606-0253](#) [GD-A-44](#) [GDCX-PA-66-50](#) [GDCX-PN-64](#) [GDCX-PN-66](#) [GDCX-PN-66-50](#) [GDLX-A-66](#) [GDLX-A-88](#) [GDLX-N-66](#) [GDLX-S-88K](#) [GDTX-S-88-50](#) [GDX-PA-1010](#) [GLX-N-1010M-BLK](#) [GLX-N-44M](#) [GLX-S-88M-BLK](#) [GMX-N-1010](#) [GMX-S-1010](#) [GMX-S-66](#) [GMX-SMT2-N-1010](#) [GMX-SMT2-N-64-50](#) [GMX-SMT2-S6-88](#) [GMX-SMT4-N-88](#) [GPX-2-64](#) [GRT1-BT1-5](#) [GSGX-N-2-88](#) [GSX-NS2-88-3.05](#) [GSX-NS2-88-3.05-50](#) [GSX-NS-88-3.05-30](#) [GSX-NS-88-3.05-50](#) [GSX-NS-88-3.68](#) [1-1775629-2](#) [GWLX-S-88-GR](#) [GWLX-S9-88-YG](#) [1300500326](#) [1300500227](#) [1300530003](#) [1300570002](#) [1324640-4](#) [RJ11FTVC2G](#) [RJ11FTVC2N](#) [RJFTVX2SA1G](#) [132764-001](#) [1400000](#) [1413176](#) [1413235](#)